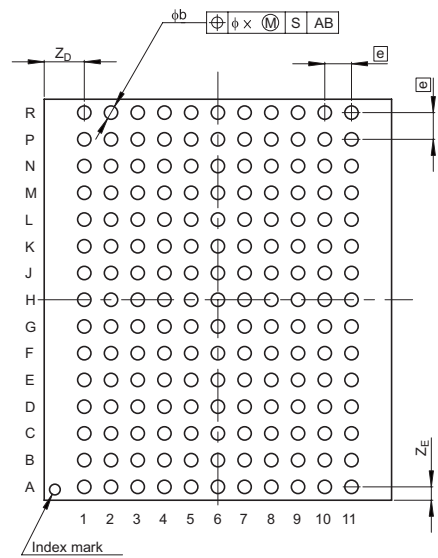
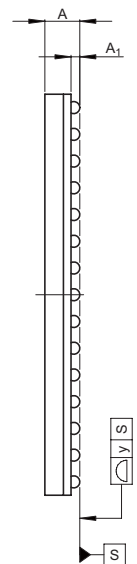
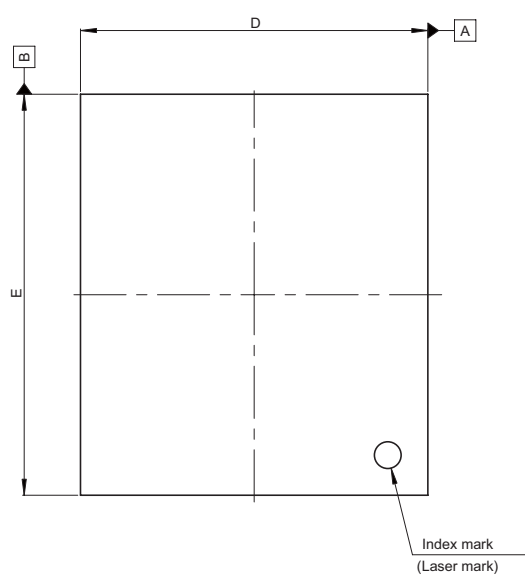


| | | | |
|----------------------|--------------|---------------|------------|
| JEITA Package Code | RENESAS Code | Previous Code | MASS[Typ.] |
| P-LBGA165-13x15-1.00 | PLBG0165FE-A | 165FHG-A | 0.5g |



| Reference Symbol | Dimension in Millimeters | | |
|------------------|--------------------------|------|------|
| | Min | Nom | Max |
| D | 12.9 | 13.0 | 13.1 |
| E | 14.9 | 15.0 | 15.1 |
| A | — | — | 1.4 |
| A_1 | 0.31 | 0.36 | 0.41 |
| e | — | 1.0 | — |
| b | 0.45 | 0.5 | 0.6 |
| x | — | — | 0.2 |
| y | — | — | 0.15 |
| Z_D | — | 1.5 | — |
| Z_E | — | 0.5 | — |