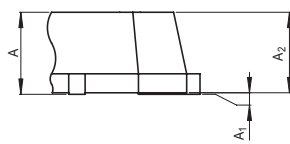
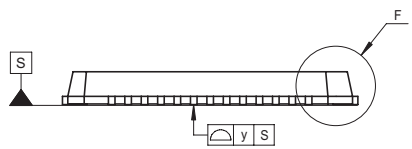
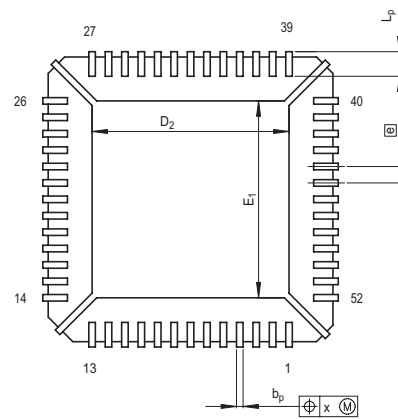
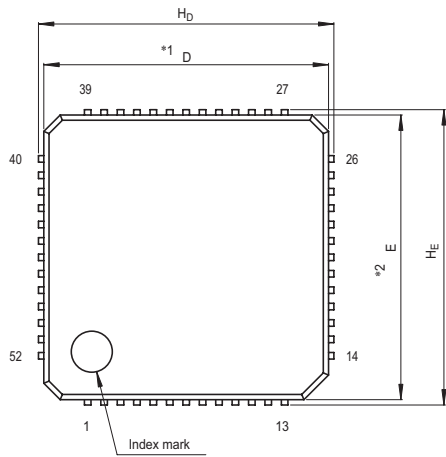


JEITA Package Code
P-HVQFN52-7x7-0.40

RENESAS Code
PVQN0052LA-A

Previous Code
52PJV-A

MASS[Typ.]
0.1g



Detail F

Note)
1. DIMENSIONS ****1"** AND ****2"**
DO NOT INCLUDE MOLD FLASH.

Reference Symbol	Dimension in Millimeters		
	Min	Nom	Max
D	6.9	7.0	7.1
E	6.9	7.0	7.1
A_2	—	0.78	—
A	—	—	1.0
A_1	0	0.02	0.05
b_p	0.11	0.16	0.21
Ⓜ	—	0.4	—
L_p	0.45	0.6	0.75
x	—	—	0.05
y	—	—	0.05
H_D	7.0	7.2	7.4
H_E	7.0	7.2	7.4
D_2	—	4.8	—
E_1	—	4.8	—