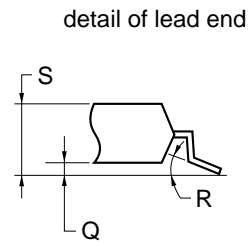
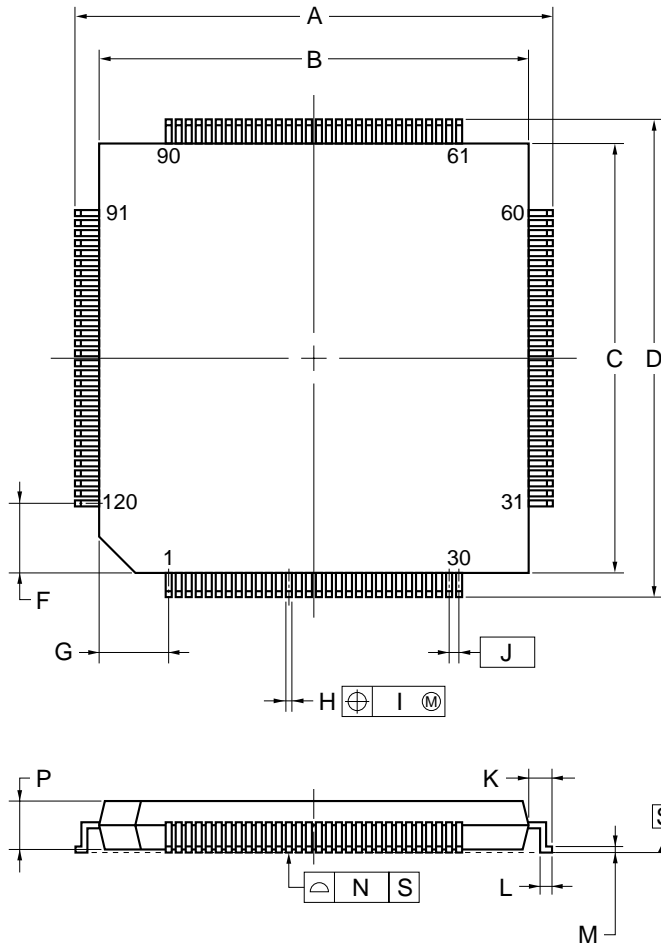


120-PIN PLASTIC QFP (FINE PITCH) (20x20)



NOTE

Each lead centerline is located within 0.10 mm of its true position (T.P.) at maximum material condition.

ITEM	MILLIMETERS
A	22.0±0.2
B	20.0±0.2
C	20.0±0.2
D	22.0±0.2
F	2.75
G	2.75
H	0.22 ^{+0.05} _{-0.04}
I	0.10
J	0.5 (T.P.)
K	1.0±0.2
L	0.5±0.2
M	0.17 ^{+0.03} _{-0.07}
N	0.10
P	2.7
Q	0.125±0.075
R	5°±5°
S	3.0 MAX.

S120GJ-50-3EB-3