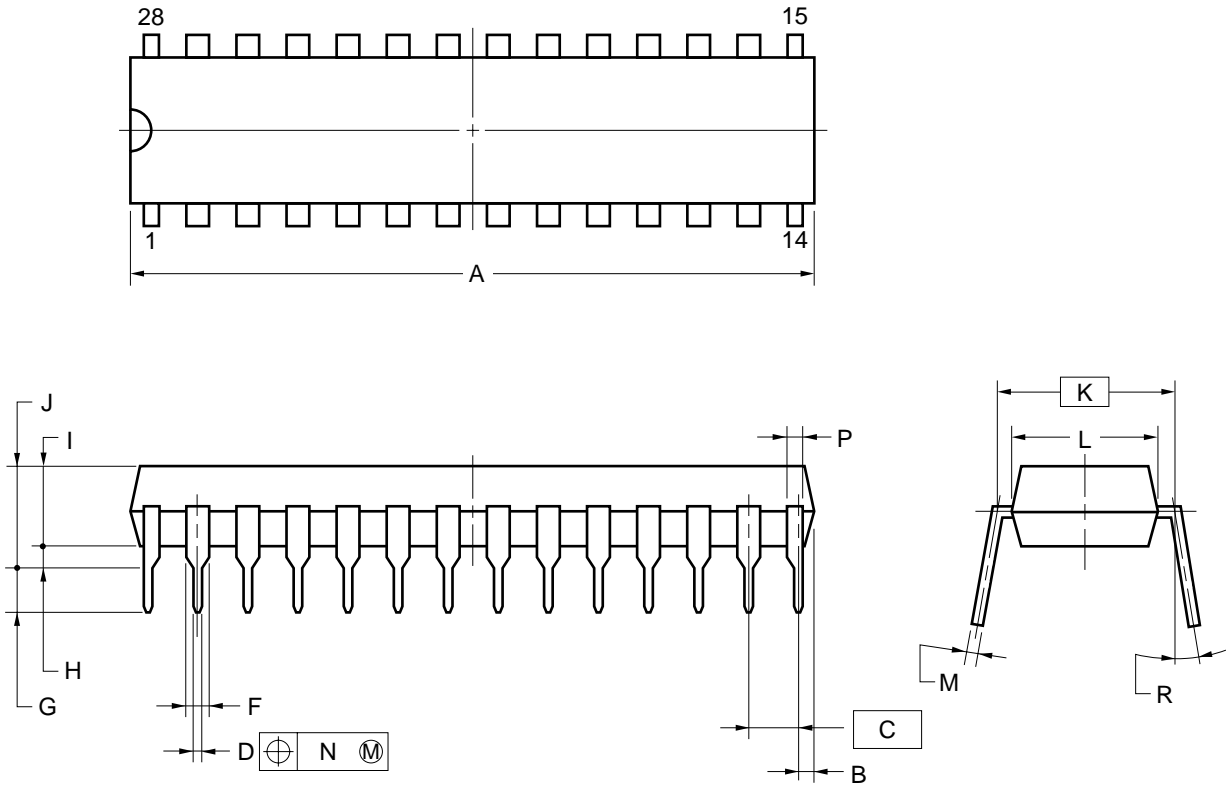


## 28-PIN PLASTIC DIP (7.62mm(300))



### NOTES

1. Each lead centerline is located within 0.25 mm of its true position (T.P.) at maximum material condition.
2. Item "K" to center of leads when formed parallel.

| ITEM | MILLIMETERS                            |
|------|--|
| A    | 35.56 MAX.                             |
| B    | 1.27 MAX.                              |
| C    | 2.54 (T.P.)                            |
| D    | 0.50±0.10                              |
| F    | 1.2 MIN.                               |
| G    | 3.2±0.3                                |
| H    | 0.51 MIN.                              |
| I    | 4.31 MAX.                              |
| J    | 5.08 MAX.                              |
| K    | 7.62 (T.P.)                            |
| L    | 6.7                                    |
| M    | 0.25 <sup>+0.10</sup> <sub>-0.05</sub> |
| N    | 0.25                                   |
| P    | 1.0 MIN.                               |
| R    | 0~15°                                  |

P28C-100-300SA-2