

JEITA Package Code

RENESAS Code

Previous Code

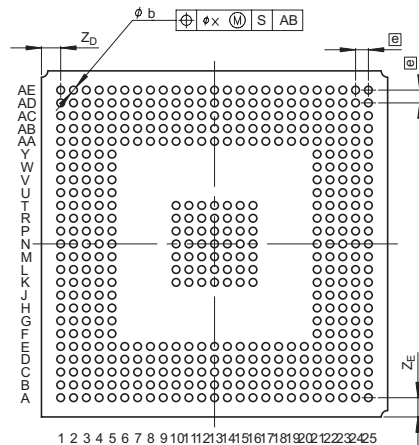
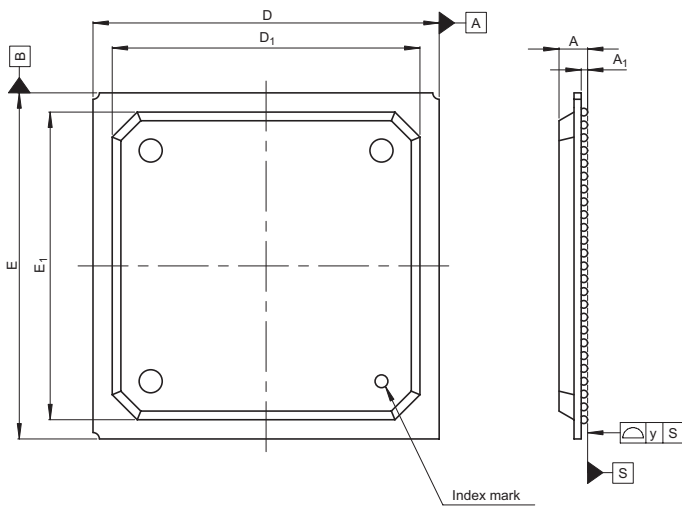
MASS[Typ.]

P-BGA449-27x27-1.00

PRBG0449FA-A

449F7T

3.0



Reference Symbol	Dimension in Millimeters		
	Min	Nom	Max
D	26.8	27.0	27.2
E	26.8	27.0	27.2
A	—	—	2.6
A ₁	0.4	0.5	0.6
ϕ	—	1.0	—
b	0.5	0.6	0.7
x	—	—	0.25
y	—	—	0.15
Z _D	—	1.5	—
Z _E	—	1.5	—
D ₁	23.8	24.0	24.2
E ₁	23.8	24.0	24.2