

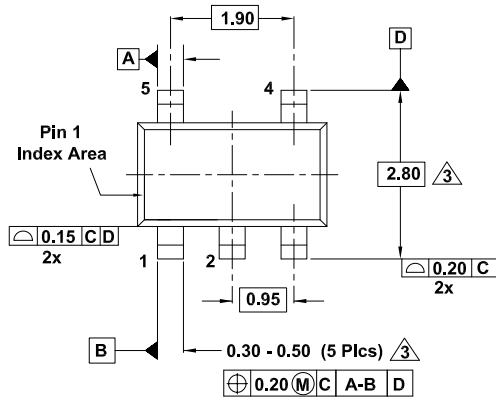
# Plastic Packages for Integrated Circuits

## Package Outline Drawing

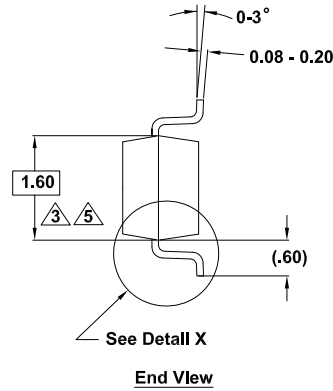
P5.064C

5 Lead Small Outline Transistor Plastic Package (SOT-5)

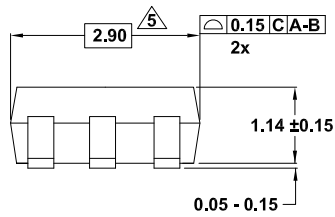
Rev 0, 2/2021



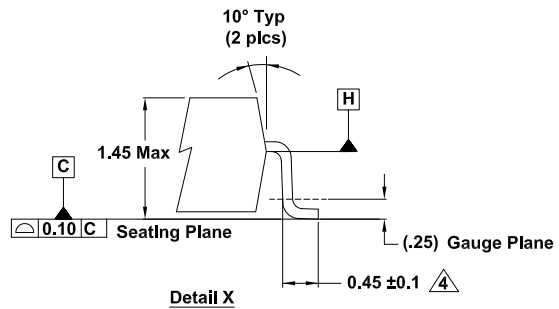
Top View



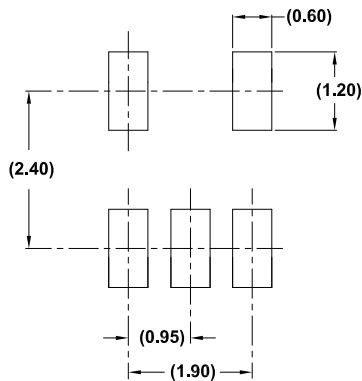
End View



Side View



Detail X



Typical Recommended Land Pattern

**Note:**

1. Dimensions are in mm.  
Dimensions in ( ) are for reference only
2. Dimensions and tolerances are as per ASME Y14.5M-1994
3. Dimension is exclusive of mold flash, protrusions or gate burrs.
4. Foot length is measured at reference to gauge plane
5. This dimension is measured at Datum "H"
6. Package conforms to JEDEC MO-178AA