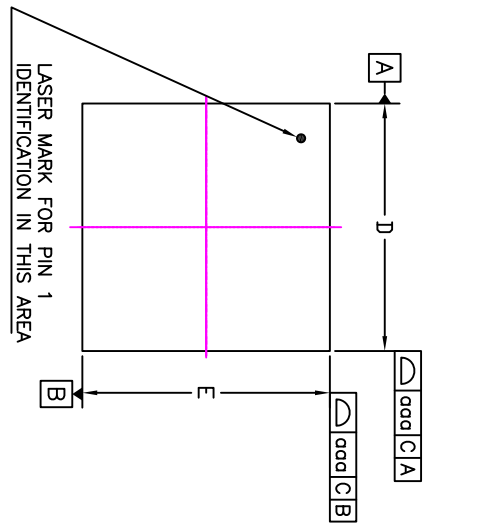
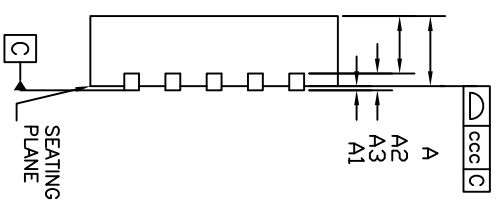


REVISIONS		DATE	APPROVED
REV	DESCRIPTION		
00	INITIAL RELEASE	06/15/12	DJP
01	COMBINE PDD & LAND PATTERN	9/6/13	KS
02	ADD NOTE RECOMMENDED LAND PATTERN	2/19/14	JH

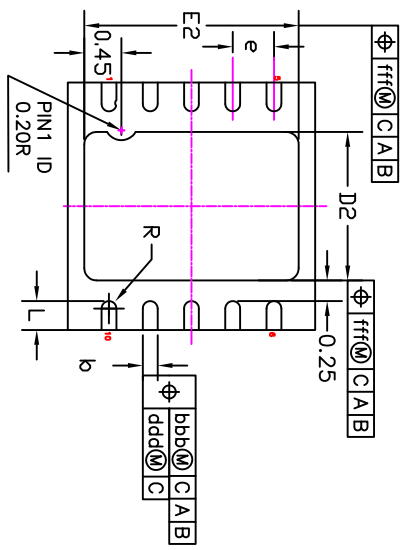
* CONTROLLING DIMENSION : MM



TOP VIEW



SIDE VIEW



BOTTOM VIEW

SYMBOL	MILLIMETER		INCH	
	MIN.	NOM. MAX.	MIN.	MAX.
A	---	0.90	---	0.035
A1	---	0.050	---	0.002
A2	---	0.65	---	0.026
A3	0.20 REF.		0.008 REF.	
b	0.13	0.18	0.005	0.007
D	---	3.00	---	0.118
D2	1.70	1.80	0.067	0.071
E	---	3.00	---	0.118
E2	2.50	2.60	0.098	0.102
L	0.30	0.35	0.012	0.014
e	0.50	bsc	0.020	bsc
R	0.065	---	0.003	---

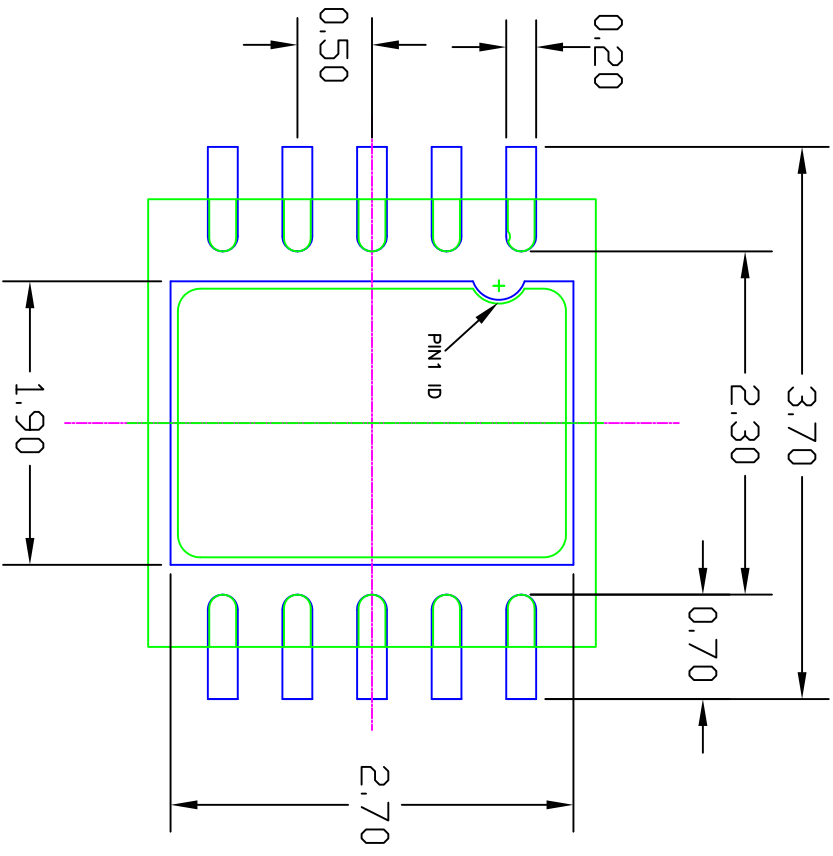
- NOTES :
- 1.ALL DIMENSIONS ARE IN MILLIMETERS.
 - 2.DIE THICKNESS ALLOWABLE IS 0.305 mm MAXIMUM.(0.12 INCHES MAXIMUM)
 - 3.DIMENSIONING & TOLERANCES CONFORM TO ASME Y14.5M. -1994.
 - 4.THE PIN #1 IDENTIFIER MUST BE PLACED ON THE TOP SURFACE OF THE PACKAGE BY USING INDENTATION MARK OR OTHER FEATURE OF PACKAGE BODY.
 - 5.EXACT SHAPE AND SIZE OF THIS FEATURE IS OPTIONAL.
 - 6.PACKAGE WARPAGE MAX 0.08 mm.
 - 7.APPLIED FOR EXPOSED PAD AND TERMINALS. EXCLUDE EMBEDDING PART OF EXPOSED PAD FROM MEASURING.
 - 8.APPLIED ONLY TO TERMINALS.

UNLESS OTHERWISE SPECIFIED DIMENSIONS ARE IN MILLIMETERS DECIMAL XX.XX ±0.05 XXX.X±0.05 XXXX.X±0.05		DATE	
APPROVALS	DATE	DATE	
DRAWN	06/15/12	DATE	
CHECKED		DATE	
DRAWING No.		SIZE	SCALE
PSC-4434		C	N/A
DD NOT SCALE DRAWING		REV	02
SHEET 1 OF 2			

6024 Silver Creek Valley Rd
San Jose, CA 95138
PHONE: (408) 284-8333
FAX: (408) 284-8591

NW/NWG 10 PACKAGE OUTLINE
3.0 x 3.0 x 0.90 mm BDDY
0.50 mm Pitch, VQFP-N

REVISIONS			
REV	DESCRIPTION	DATE	APPROVED
00	INITIAL RELEASE	06/15/12	DP
01	COMBINE PDD & LAND PATTERN	9/6/13	KS
02	ADD NOTE RECOMMENDED LAND PATTERN	2/19/14	JH



RECOMMENDED LAND PATTERN DIMENSION

- NOTES:
1. ALL DIMENSION ARE IN mm. ANGLES IN DEGREES.
 2. TOP DOWN VIEW. AS VIEWED ON PCB.
 3. COMPONENT OUTLINE SHOW FOR REFERENCE IN GREEN.
 4. LAND PATTERN IN BLUE. NSMD PATTERN ASSUMED.
 5. LAND PATTERN RECOMMENDATION PER IPC-7351B GENERIC REQUIREMENT FOR SURFACE MOUNT DESIGN AND LAND PATTERN.

UNLESS OTHERWISE SPECIFIED DIMENSIONS ARE IN MILLIMETERS DECIMAL XX.XX FRACTIONS XX/100 ANGULAR #°		IDT 6024 Silver Creek Valley Rd San Jose, CA 95138 PHONE: (408) 284-8333 FAX: (408) 284-8591 www.IDT.com	
APPROVALS	DATE	NW/NWG 10 PACKAGE OUTLINE 3.0 x 3.0 x 0.90 mm BDDY 0.50 mm Pitch, VQFP-N	
DRAWN <i>gop</i>	06/15/12	DRAWING No.	PSC-4434
CHECKED		SIZE	C
		SCALE	N/A
		REV	02
		DID NOT SCALE DRAWING	
		SHEET 2 OF 2	