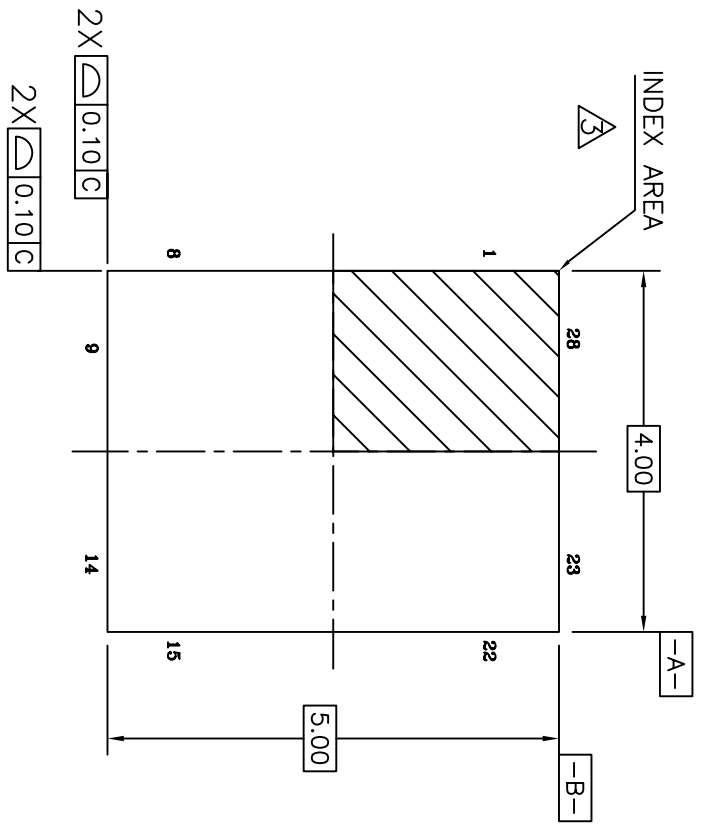
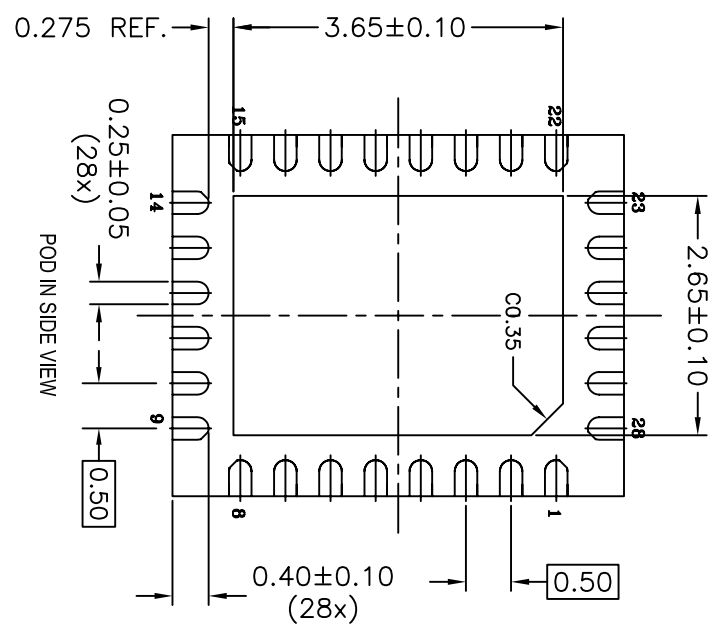


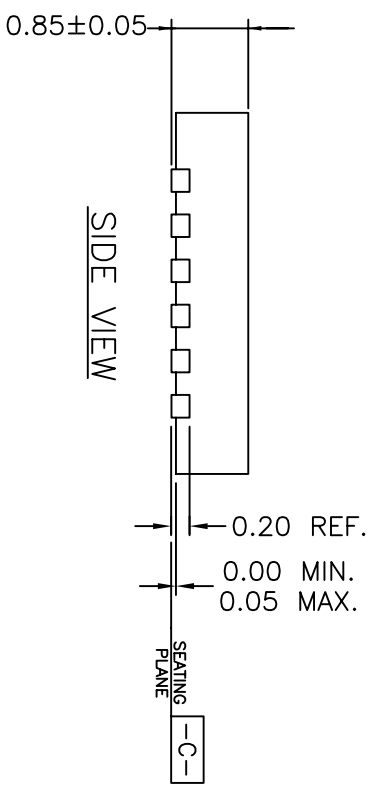
REVISIONS			
REV	DESCRIPTION	DATE	APPROVED
00	INITIAL RELEASE.	5/3/12	M. ROY
01	CHANGE PCD & LAND PATTERN CHANGE PACKAGE THICKNESS	5/13/13	RC



TOP VIEW



BOTTOM VIEW



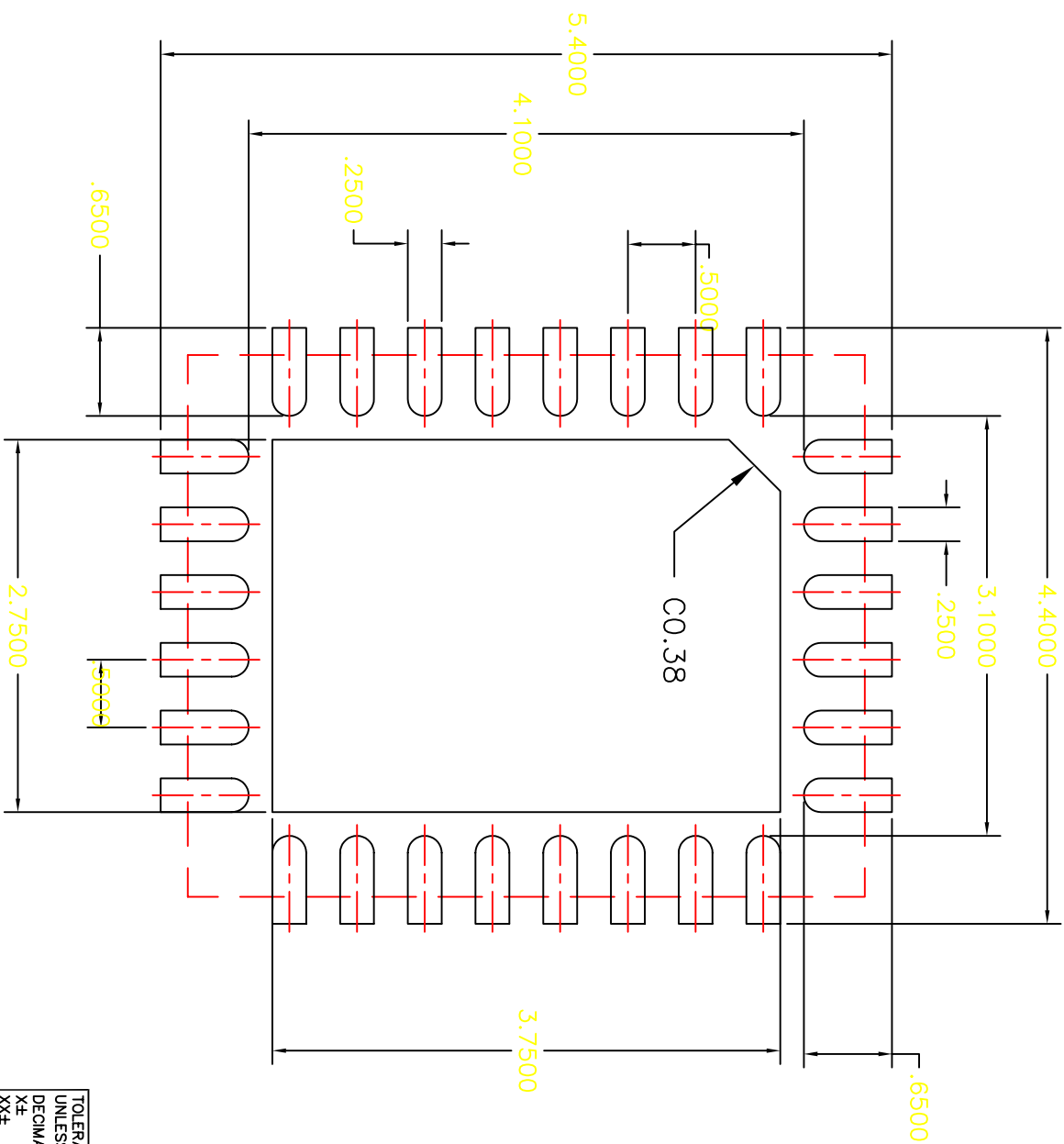
SIDE VIEW

- NOTES:
1. ALL DIMENSIONING AND TOLERANCING CONFORM TO ANSI Y14.5M-1982
  2. ALL DIMENSIONS ARE IN MILLIMETERS.
  3. INDEX AREA (PIN1 IDENTIFIER)

TOLERANCES UNLESS SPECIFIED		DECIMAL		ANGULAR	
XX±					
XXXX±					
APPROVALS	DATE	TITLE NR/NRG28 PACKAGE OUTLINE			
DRAWN <i>ymde</i>	05/03/12	4.0 X 5.0 mm BODY - 0.85mm thick			
CHECKED		0.50 mm Pitch QFN (SAWN Type)			
		SIZE	DRAWING No.	REV	
		C	PSC-4418	01	
DO NOT SCALE DRAWING			SHEET 1 OF 2		


**IDT**  
 6024 Silver Creek Valley Road  
 San Jose, CA 95138  
 PHONE: (408) 284-8200  
 FAX: (408) 284-8591  
 www.IDT.com

REVISIONS			
REV	DESCRIPTION	DATE	APPROVED
00	INITIAL RELEASE	02/28/13	M. ROY
01	COMBINE POB & LAND PATTERN CHANGE PACKAGE THICKNESS	5/13/13	RC



RECOMMENDED LAND PATTERN

TOLERANCES UNLESS SPECIFIED		TITLE NR/NRG28 PACKAGE OUTLINE	
DECIMAL	ANGULAR	4.0 X 5.0 mm BODY - 0.85mm thick	
XX+		0.50 mm Pitch QFN (SAWN Type)	
XXX+		www.IDT.com	
APPROVALS		DATE	
DRAWN	RDG	02/28/13	
CHECKED			
SIZE		DRAWING No.	REV
C		PSC-4418	01
DO NOT SCALE DRAWING			SHEET 2 OF 2



6024 Silver Creek Valley Road  
San Jose, CA 95138  
PHONE: (408) 284-8200  
FAX: (408) 284-8591