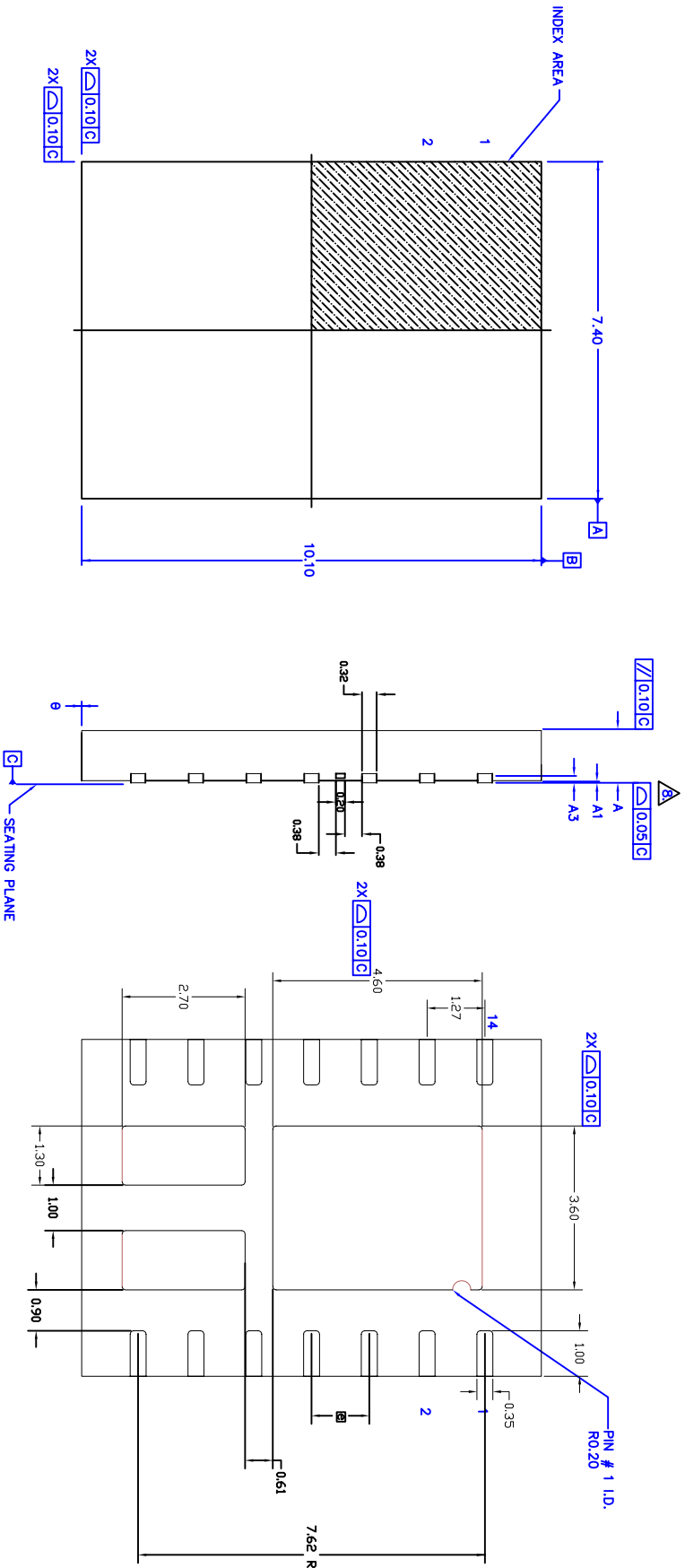



REVISIONS			
REV	DESCRIPTION	DATE	APPROVED
00	INITIAL RELEASE	06/03/11	DP
01	COMBINE POD & LAND PATTERN	06/13/13	KS



TOP POD VIEW

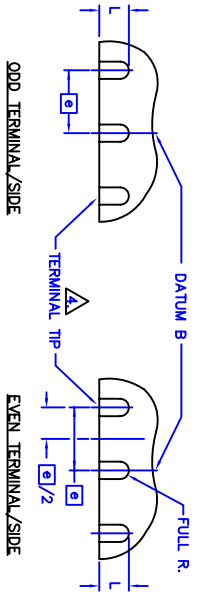
SIDE POD VIEW

BOTTOM POD VIEW

TOLERANCES UNLESS SPECIFIED DECIMAL ANGULAR XX± ±1° XXX±		 6024 Silver Creek Valley Road San Jose CA 95138 PHONE: (408) 284-8200 FAX: (408) 284-8591 www.IDT.com	
APPROVALS	DATE	TITLE	PACKAGE OUTLINE
DRAWN <i>gjp</i>	04/05/11	7.40 x 10.1 mm BODY	
CHECKED		1.27 mm PITCH	
SIZE	DRAWING No.	REV	
C	PSC-4350	01	
DO NOT SCALE DRAWING		SHEET 1 OF 3	


REVISIONS			
REV	DESCRIPTION	DATE	APPROVED
00	INITIAL RELEASE	06/03/11	DP
01	COMBINE POD & LAND PATTERN	06/13/13	KS

- NOTES :
1. DIMENSIONING AND TOLERANCING CONFORME TO ASME Y14.5M - 1994.
 2. ALL DIMENSIONS ARE IN MILLIMETERS, 0 IS IN DEGREES.
 3. N IS THE TOTAL NUMBER OF TERMINALS.
 4. DIMENSION b APPLIES TO METALLIZED TERMINAL AND IS MEASURED BETWEEN 0.15 AND 0.30mm FROM TERMINAL TIP. IF THE TERMINAL HAS THE OPTIONAL RADIUS ON THE OTHER END OF THE TERMINAL, THE DIMENSION b SHOULD NOT BE MEASURED IN THAT RADIUS AREA.
 5. MAX. PACKAGE WARPAGE IS 0.05 mm.
 6. MAXIMUM ALLOWABLE BURRS IS 0.076 mm IN ALL DIRECTIONS.
 7. PIN #1 ID ON TOP WILL BE LASER MARKED.
 8. BILATERAL COPLANARITY ZONE APPLIES TO THE EXPOSED HEAT SINK SLUG AS WELL AS THE TERMINALS.



SYMBOL	COMMON DIMENSIONS			NOTES
	MIN.	NOM.	MAX.	
A	1.05	1.10	1.15	
A1	0.00	0.02	0.05	
A3	0.15 REF.			
θ	0	-	12°	2
e	1.27 BSC			
N	14			3
b	0.30	0.35	0.40	4

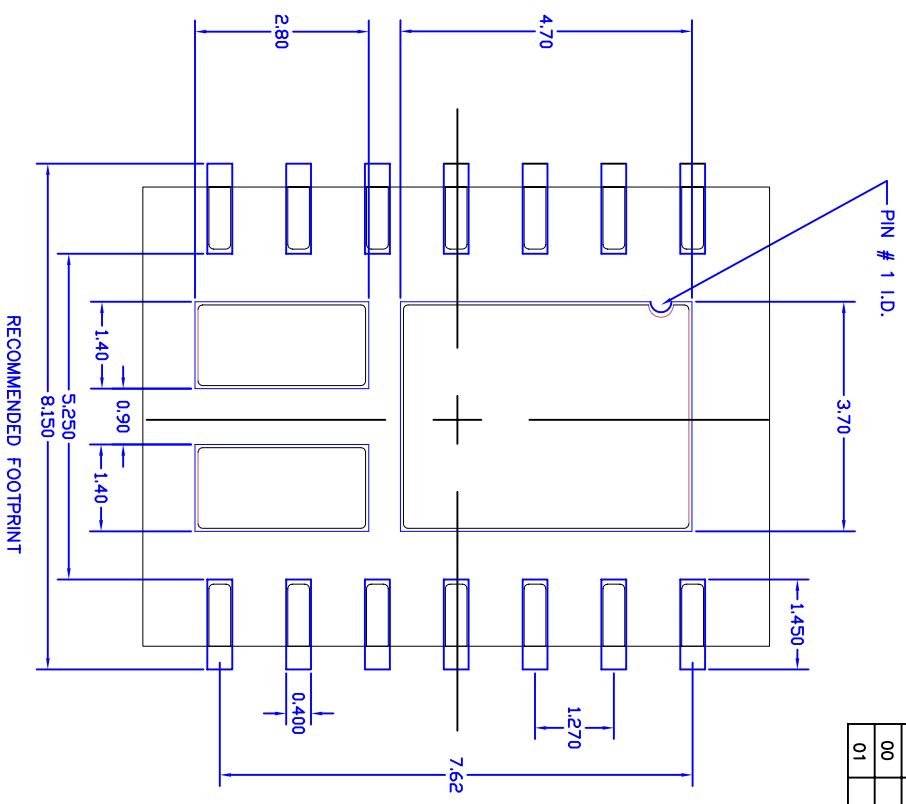
TOLERANCES UNLESS SPECIFIED		ANGULAR ±1°	
DECIMAL XX±		XXX±	
APPROVALS		DATE	TITLE
DRAWN <i>gpp</i>		04/05/11	NFG14 PACKAGE OUTLINE
CHECKED			7.40 x 10.1mm BODY
			1.27 mm PITCH
		SIZE	DRAWING No.
		C	PSC-4350
		DO NOT SCALE DRAWING	
		SHEET	2 OF 3




IDT
San Jose CA 95136
PHONE: (408) 284-8200
FAX: (408) 284-8591

6024 Silver Creek Valley Road
San Jose CA 95136
PHONE: (408) 284-8200
FAX: (408) 284-8591

REVISIONS			
REV	DESCRIPTION	DATE	APPROVED
00	INITIAL RELEASE	06/03/11	DP
01	COMBINE POD & LAND PATTERN	06/13/13	KS



- NOTES:
1. ALL DIMENSION ARE IN mm. ANGLES IN DEGREES.
 2. TOP DOWN VIEW. AS VIEWED ON PCB.
 3. COMPONENT OUTLINE SHOW FOR REFERENCE IN BLACK.
 4. LAND PATTERN IN BLUE. NSMD PATTERN ASSUMED.
 5. LAND PATTERN RECOMMENDATION PER IPC-7351B LP CALCULATOR.

TOLERANCES UNLESS SPECIFIED DECIMAL ANGULAR E°		 6024 Silver Creek Valley Road San Jose CA 95138 PHONE: (408) 284-8200 FAX: (408) 284-8591	
APPROVALS DATE	DATE	TITLE	
XXXX	04/05/11	NFG14 PACKAGE OUTLINE	
DRAWN CHECKED	DATE	SIZE	
JPP	04/05/11	DRAWING No. PSC-4350	
		DO NOT SCALE DRAWING	
		SHEET 3 OF 3	