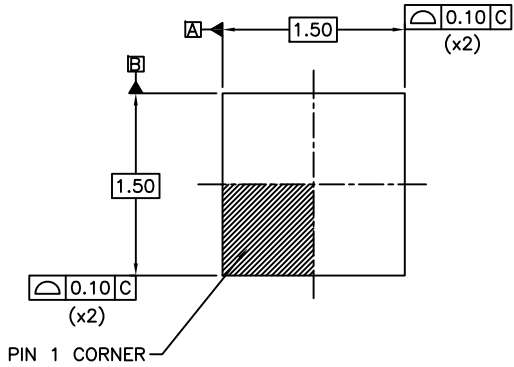
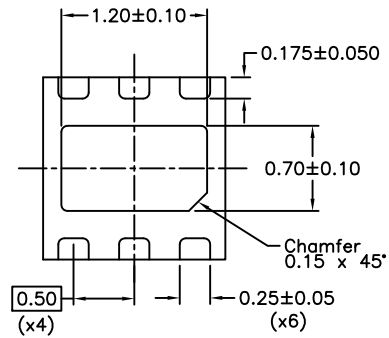


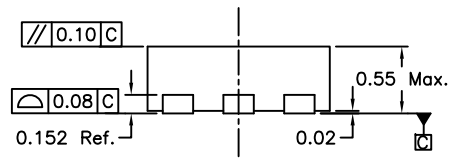
| REVISIONS | | | |
|-----------|-----------------|---------|----------|
| REV | DESCRIPTION | DATE | APPROVED |
| 00 | INITIAL RELEASE | 4/20/16 | JH |
| | | | |



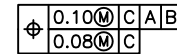
TOP VIEW



BOTTOM VIEW




SIDE VIEW



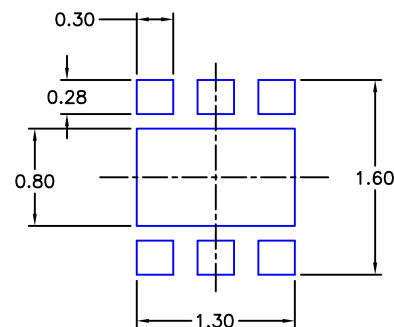
ALL FEATURES

NOTES:

1. ALL DIMENSIONING AND TOLERANCING CONFORM TO ANSI Y14.5M-1982
2. ALL DIMENSIONS ARE IN MILLIMETERS.

| | | | |
|-----------------------------|---------|--|--------------|
| TOLERANCES UNLESS SPECIFIED | |  6024 Silver Creek Valley Road San Jose CA 95138 PHONE: (408) 284-8200 www.IDT.com FAX: (408) 284-8591 | |
| DECIMAL | ANGULAR | | |
| X± | ±1° | APPROVALS | |
| XX± | | DATE | |
| XXX± | | TITLE | |
| DRAWN <i>BAC</i> | | NEG6 PACKAGE OUTLINE | |
| CHECKED | | 1.5 x 1.5 mm BODY | |
| | | 0.50 mm PITCH DFN | |
| | | SIZE | DRAWING No. |
| | | C | PSC-4653 |
| | | DO NOT SCALE DRAWING | SHEET 1 OF 2 |


| REVISIONS | | | |
|-----------|-----------------|---------|----------|
| REV | DESCRIPTION | DATE | APPROVED |
| 00 | INITIAL RELEASE | 4/20/16 | JH |
| | | | |



RECOMMENDED LAND PATTERN DIMENSION

NOTES:

1. ALL DIMENSIONS ARE IN MM. ANGLES IN DEGREES.
2. TOP DOWN VIEW AS VIEWED ON PCB.
3. NSMD PATTERN ASSUMED.
4. LAND PATTERN RECOMMENDATION PER IPC-7351B GENERIC REQUIREMENT FOR SURFACE MOUNT DESIGN AND LAND PATTERN.

| | | | | | |
|-----------------------------|---------|--|-------------|-------------------------------|--------------|
| TOLERANCES UNLESS SPECIFIED | |  IDT™ www.IDT.com | | 6024 Silver Creek Valley Road | |
| DECIMAL | ANGULAR | | | San Jose CA 95138 | |
| X± | ±1° | PHONE: (408) 284-8200 | | FAX: (408) 284-8591 | |
| XX± | | TITLE NEG6 PACKAGE OUTLINE | | | |
| XXX± | | 1.5 x 1.5 mm BODY | | | |
| | | 0.50 mm PITCH DFN | | | |
| APPROVALS | DATE | SIZE | DRAWING No. | REV | |
| DRAWN <i>RAC</i> | 4/20/16 | C | PSC-4653 | 00 | |
| CHECKED | | DO NOT SCALE DRAWING | | | SHEET 2 OF 2 |