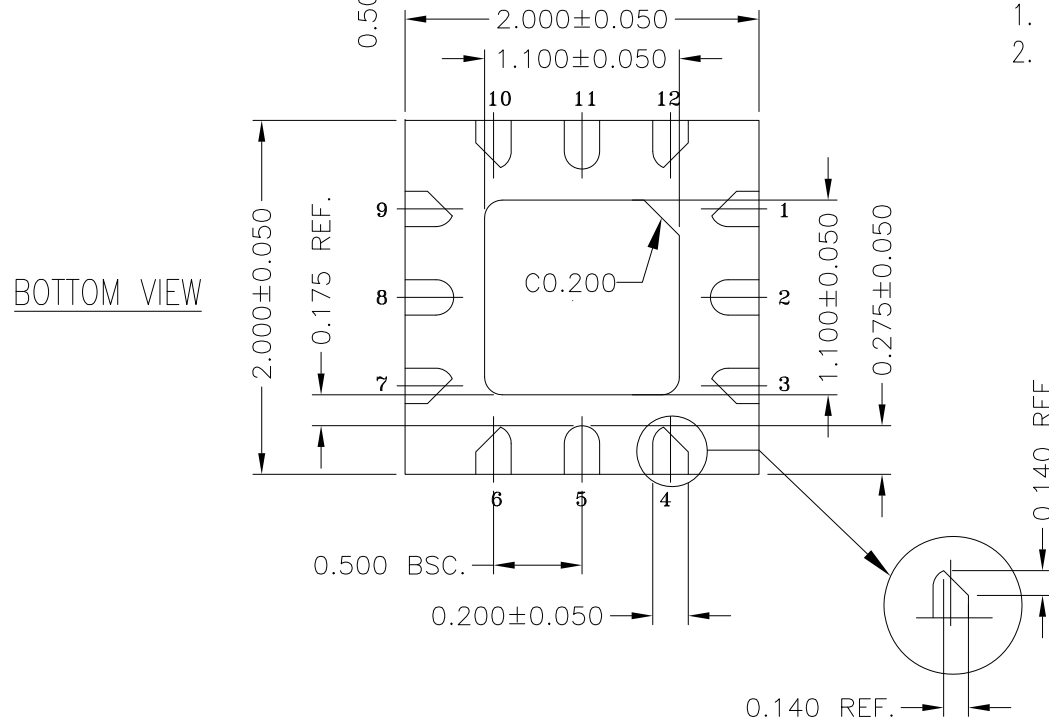
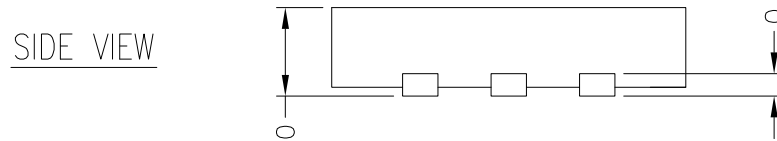
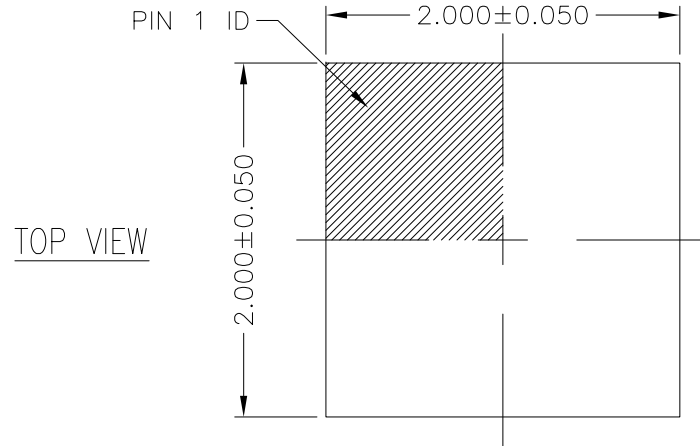

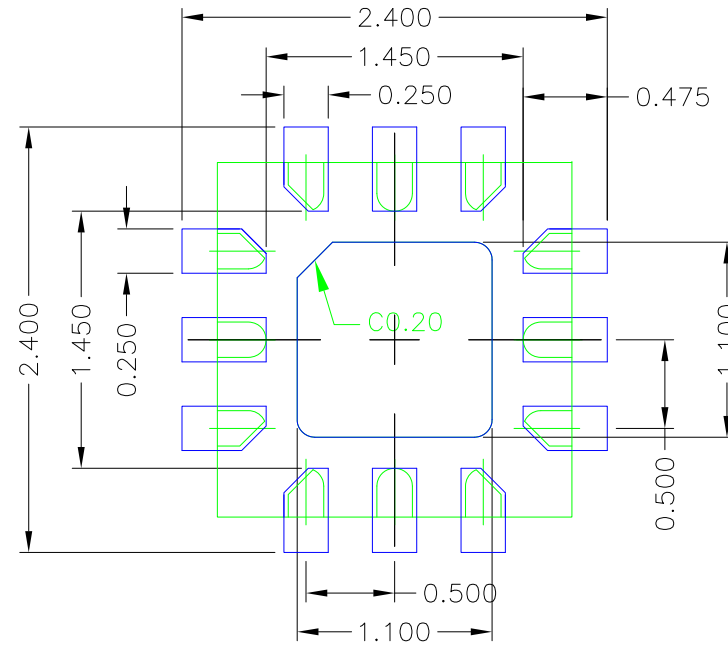


REVISIONS			
REV	DESCRIPTION	DATE	APPROVED
00	INITIAL RELEASE	2/9/16	J.HUA



TOLERANCES UNLESS SPECIFIED		 IDT™ 6024 Silver Creek Valley Rd. San Jose, CA 95138 PHONE: (408) 727-6116 FAX: (408) 492-8674 www.IDT.com
DECIMAL	ANGULAR	
XX±	±	
XXX±		TITLE NEG12 PACKAGE OUTLINE 2.0 x 2.0 mm BODY, EPAD 1.1 x 1.1 mm 0.50 mm PITCH QFN
XXXX±		
APPROVALS	DATE	SIZE C DRAWING No. PSC-4642 REV 00
DRAWN <i>BAC</i>	2/9/16	
CHECKED		DO NOT SCALE DRAWING
		SHEET 1 OF 2


REVISIONS			
REV	DESCRIPTION	DATE	APPROVED
00	INITIAL RELEASE	2/9/16	J.HUA



RECOMMENDED LAND PATTERN DIMENSION

NOTES:

1. ALL DIMENSIONS ARE IN mm. ANGLES IN DEGREES.
2. TOP DOWN VIEW, AS VIEWED ON PCB.
3. COMPONENT OUTLINE IS SHOWN FOR REFERENCE IN GREEN.
4. LAND PATTERN IN BLUE. NSMD PATTERN ASSUMED.
5. LAND PATTERN RECOMMENDATION PER IPC-7351B GENERIC REQUIREMENT FOR SURFACE MOUNT DESIGN AND LAND PATTERN.

TOLERANCES UNLESS SPECIFIED		 6024 Silver Creek Valley Rd San Jose, CA 95138 PHONE: (408) 727-6116 FAX: (408) 492-8674 www.IDT.com
DECIMAL	ANGULAR	
XX±	±	
XXX±		
XXXX±		
APPROVALS	DATE	TITLE
DRAWN <i>BAC</i>	2/9/16	NEG12 PACKAGE OUTLINE
CHECKED		2.0 x 2.0 mm BODY, EPAD 1.1 x 1.1 mm 0.50 mm PITCH QFN
	SIZE	DRAWING No.
	C	PSC-4642
		REV
		00
DO NOT SCALE DRAWING		SHEET 2 OF 2