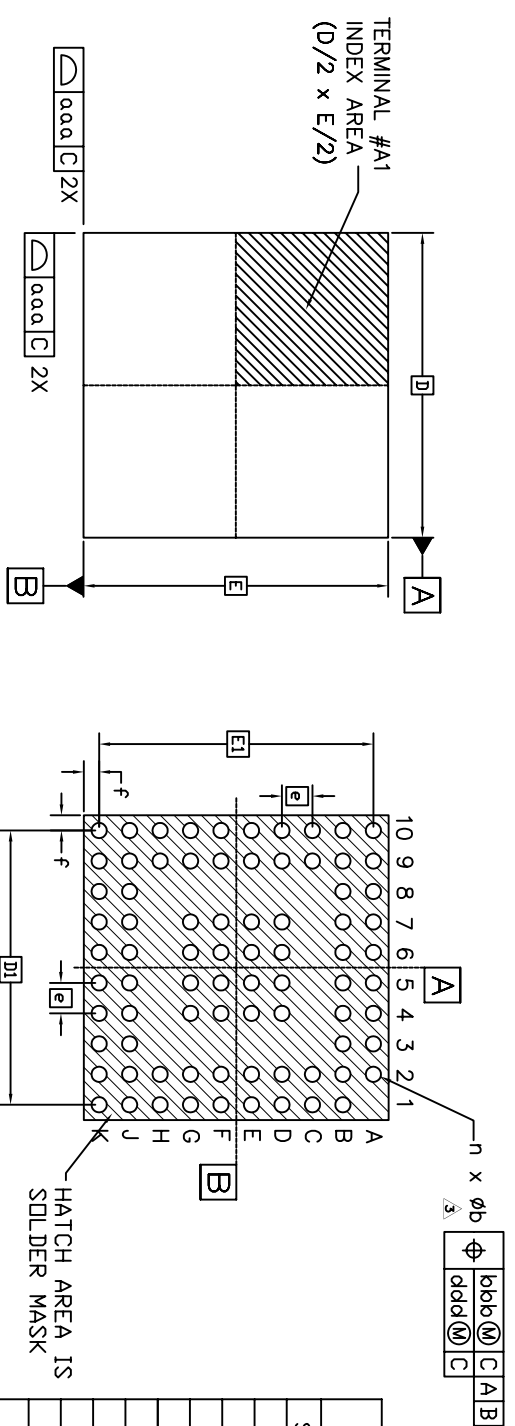
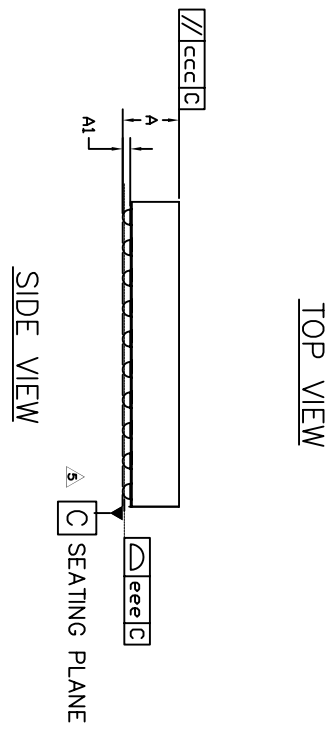


REVISIONS			
REV	DESCRIPTION	DATE	APPROVED
00	INITIAL RELEASE.	07/11/11	M. ROY
01	CHANGE A1 FM 0.125 TO 0.150mm. CHANGE A max FM 0.325 TO 0.039mm. CHANGE ddd, eee AND f TOLERANCES.	09/22/11	M. ROY
02	COMBINE POD & LAND PATTERN	07/25/13	M. ROY



DIMENSIONS			
SYMBOL	MIN	NOM	MAX
A	0.85	0.95	1.05
A1	0.10	0.15	0.20
ϕb	0.20	0.25	0.30
e	0.50 BSC		
D	5.00 BSC		
D1	4.50 BSC		
E	5.00 BSC		
E1	4.50 BSC		
n	79		
f	0.15	0.25	0.35

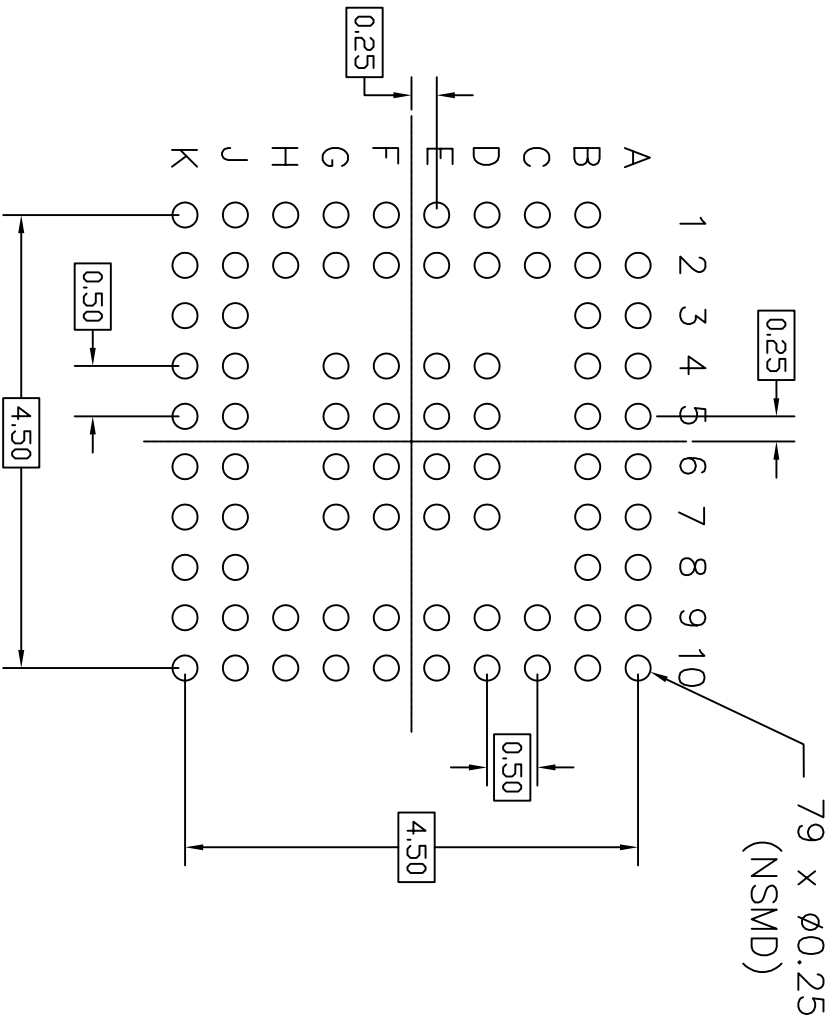
TOLERANCE OF FORM & POSITION	
aaa	0.10
bbb	0.15
ccc	0.10
ddd	0.05
eee	0.08



- NOTES:
1. ALL DIMENSIONS ARE IN MILLIMETERS.
 2. 'e' REPRESENT THE BASIC LAND GRID PITCH .
 3. "n" IS THE TOTAL NUMBER OF I/O.
 4. DIMENSIONING AND TOLERANCING PER ASME Y14.5M-1994
 5. SEATING PLANE AND PRIMARY DATUM -C- ARE DEFINED BY THE CONTACT POINTS OF THREE OR MORE SOLDER PADS THAT SUPPORT THE DEVICE WHEN PLACED ON A TOP OF A PLANAR SURFACE.

TOLERANCES UNLESS SPECIFIED			
DECIMAL	ANGULAR	8024 Silver Creek Valley Rd San Jose, CA 95138 PHONE: (408) 284-8200	
xxx.0.05	±	WWW.IDT.COM FAX: (408) 284-2775	
xxxx±		TITLE NAG79 PACKAGE OUTLINE www.IDT.com	
APPROVALS	DATE	DRAM 7/10/11 5X3mm BODY size, 0.5mm Pitch, Dual Row	
CHECKED		SIZE C DRAWING NO. PSC-4360 DO NOT SCALE DRAWING	
		SHEET 1 OF 2	

RECOMMENDED PCB LAND PATTERN



PCB TOP VIEW

- NOTES:
1. ALL DIMENSIONS ARE IN MILLIMETERS.
 2. DIMENSIONING AND TOLERANCING PER ASME Y14.5M-1994
 3. REFER TO PSC-4360 FOR PACKAGE OUTLINE DIMENSIONS.

REVISIONS			
REV	DESCRIPTION	DATE	APPROVED
00	INITIAL RELEASE.	07/11/11	M. ROY
01	CHANGE AT P1 0.125 TO 0.150mm. CHANGE A max P1 0.925 TO 0.095mm. CHANGE 0dd1, see AND 1 TOLERANCES.	09/22/11	M. ROY
02	COMBINE P0D & LAND PATTERN	07/25/13	M. ROY

TOLERANCES UNLESS SPECIFIED		6024 Silver Creek Valley Rd	
DECIMAL	ANGULAR	San Jose, CA 95138	
XX ± 0.05	±	PHONE: (408) 284-8200	
XXXX ±		FAX: (408) 284-2775	
APPROVALS		www.IDT.com	
DRAWN: 7M/2	DATE: 28/07/12	TITLE: MAG79 PACKAGE OUTLINE	
CHECKED:		5x5mm BODY size, 0.5mm Pitch, Dual Row	
SIZE: C	DRAWING No.: PSC-4360	REV: 02	
DO NOT SCALE DRAWING		SHEET 2 OF 2	