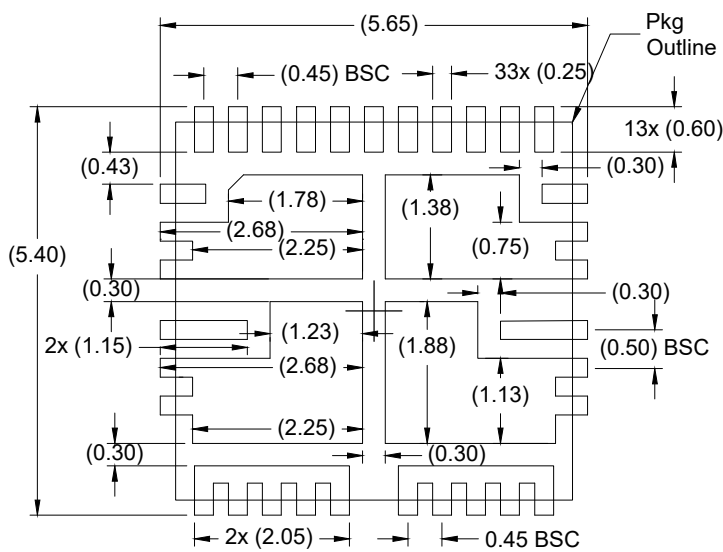


Detail A
SCALE: 2X



Recommended Land Pattern

Notes:

1. Dimensioning and tolerancing conforms to ASME Y14.5M - 1994.
2. All dimensions are in millimeters. Dimensions in () for reference only.
3. Copper slug tie-bar exposure range from 0.00mm ~ 0.150mm due to manufacturing variability.