

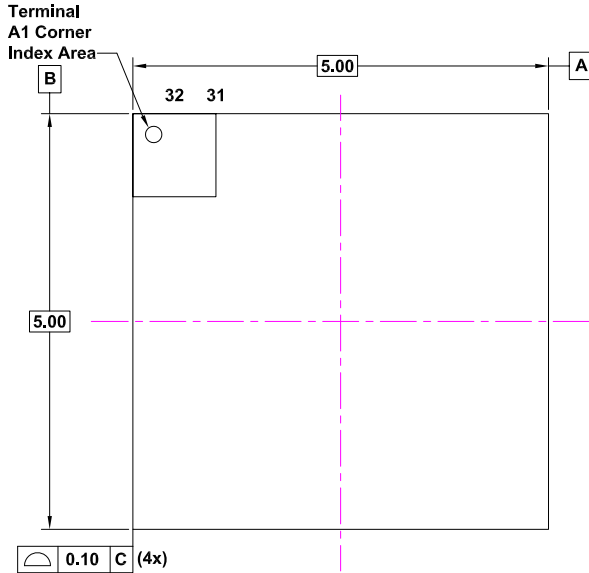
Plastic Packages for Integrated Circuits

Package Outline Drawing

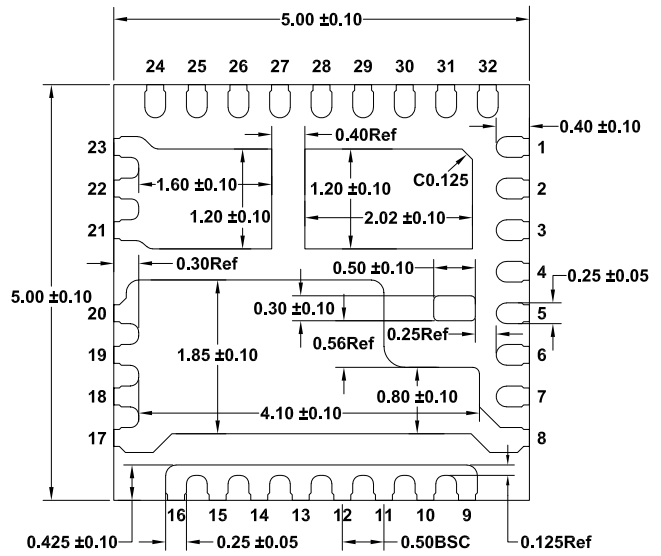
L32.5x5P

32 Lead Power Quad Flat No-Lead (PQFN) Plastic Package

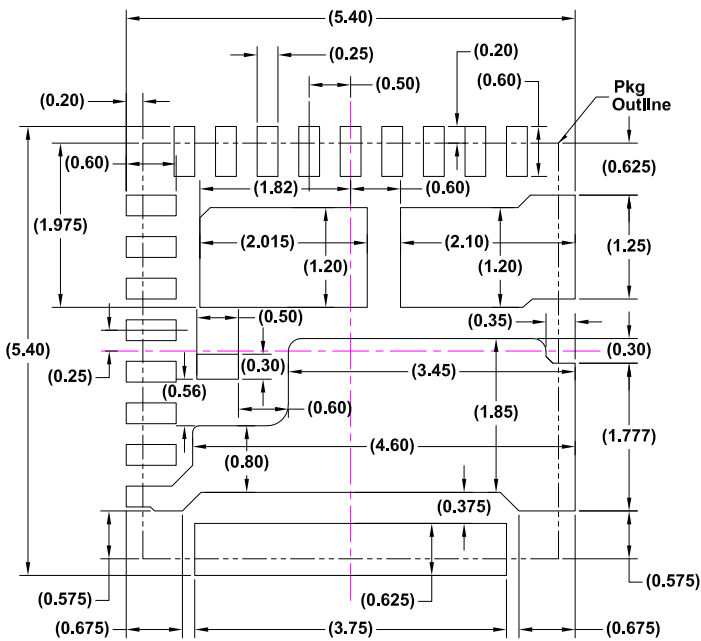
Rev 0, 4/2021



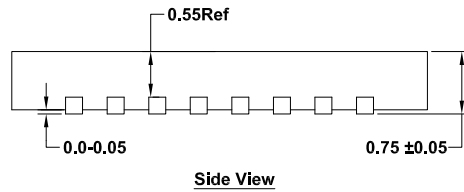
Top View



Bottom View



Recommended Land Pattern



Side View

Notes:

1. Dimensioning and tolerancing conforms to ASME Y14.5M - 1994.
2. All dimensions are in millimeters, Dimensions in () for reference only.