

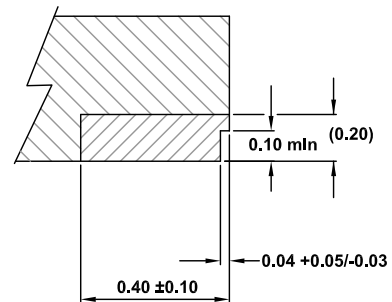
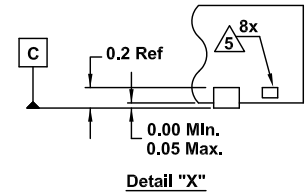
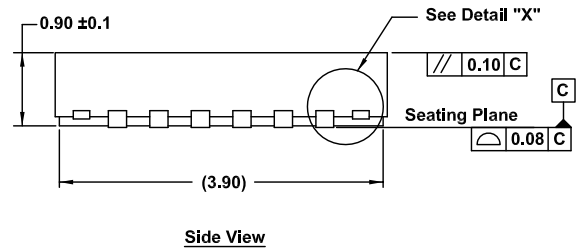
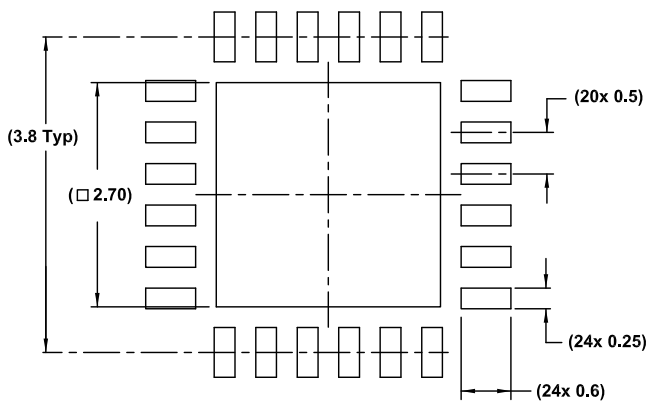
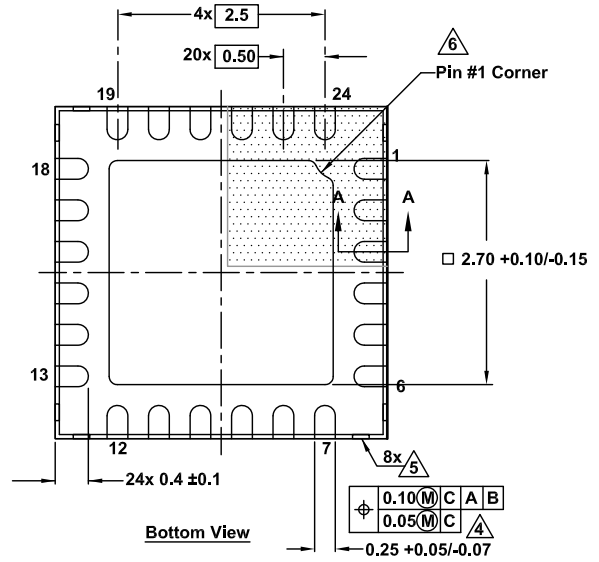
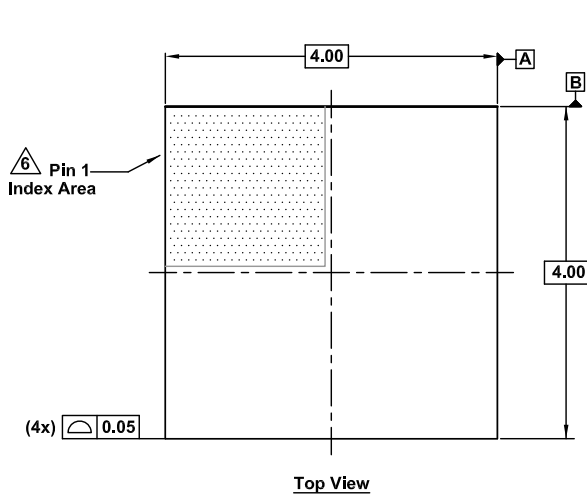
Plastic Packages for Integrated Circuits

Package Outline Drawing

L24.4x4L

24 Lead Step Cut Quad Flat No-Lead Plastic Package (SCQFN)

Rev 0, 7/19



Notes:

- Dimensions are in millimeters.
Dimensions in () for reference only.
- Dimensioning and tolerancing conform to ASME Y14.5m-1994.
- Unless otherwise specified, tolerance : Decimal ±0.05
- This dimension applies to the metallized terminal and is measured between 0.15mm and 0.30mm from the terminal tip.
- Tiebar shown (if present) is a non-functional feature.
- The configuration of the pin #1 identifier is optional, but must be located within the zone indicated. The pin #1 identifier can be either a mold or mark feature.