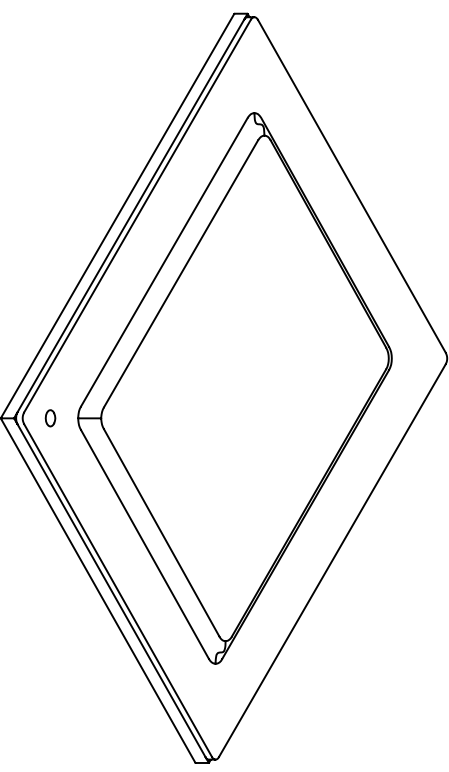


REVISIONS			
REV	DESCRIPTION	DATE	APPROVED
00	INITIAL RELEASE	07/11/05	PKP
01	CHANGED BALL DIAMETER TO 0.50 MM	12/15/05	PKP
02	COMBINE POD & LAND PATTERN	5/31/13	KS

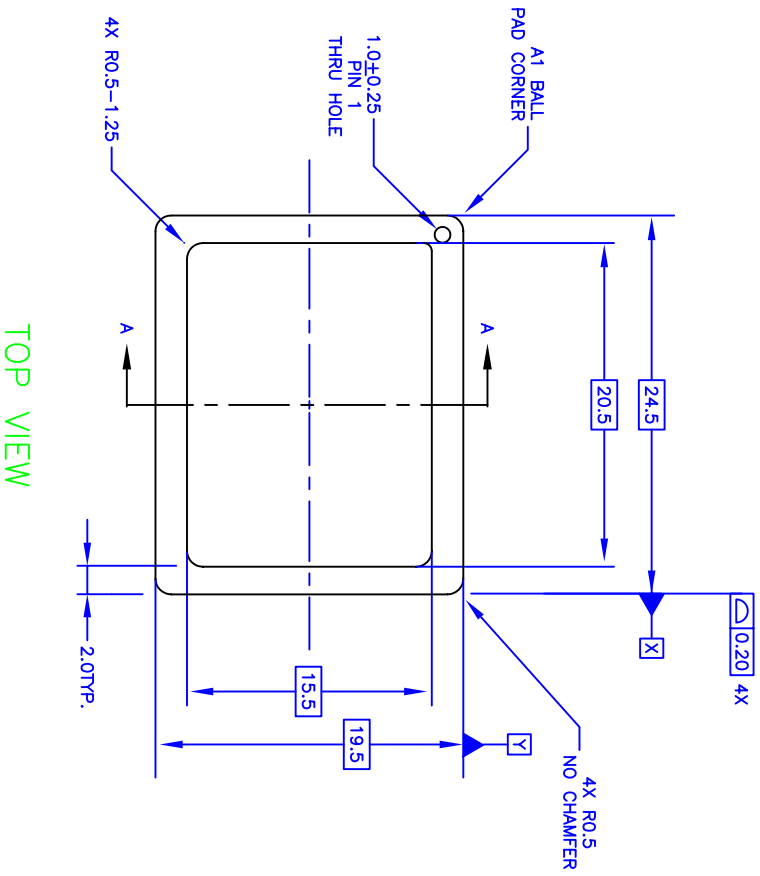


- NOTES: UNLESS OTHERWISE SPECIFIED
1. ALL DIMENSIONS AND TOLERANCES CONFORM TO ASME Y14.5M-1994.
 2. THE MAXIMUM SOLDER BALL MATRIX SIZE IS 29 X 23.
 3. THE MAXIMUM ALLOWABLE NUMBER OF SOLDER BALLS IS 667.
 4. DIMENSION IS MEASURED AT THE MAXIMUM SOLDER BALL DIAMETER, PARALLEL TO PRIMARY DATUM Z.
 5. PRIMARY DATUM Z AND SEATING PLANE ARE DEFINED BY THE SPHERICAL CROWNS OF THE SOLDER BALLS.

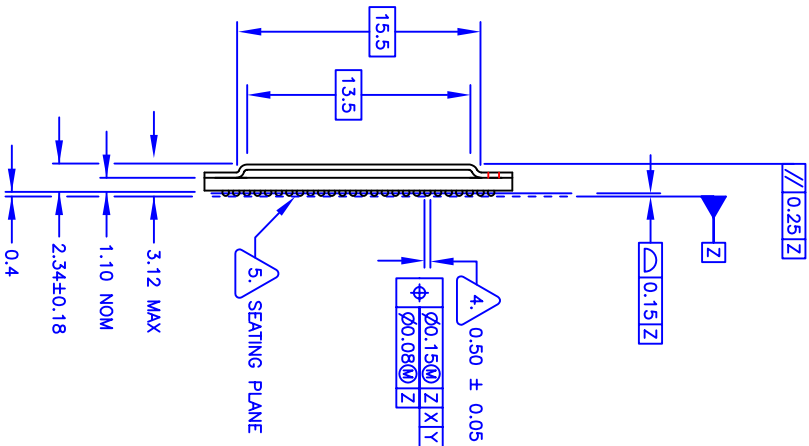
TOLERANCES UNLESS SPECIFIED		DECIMAL ANGULAR	
XX.X	.10	FT	
XXX.X	.050		
APPROVALS	DATE	TITLE	
DRAWN: pkp	07/11/05	HU/RH/HUG 655 PACKAGE OUTLINE	
CHECKED:		SIZE	DRAWING No.
		C	PSC-4148
		DO NOT SCALE DRAWING	SHEET 1 OF 4


IDT™ 6024 Silver Creek Valley Road
 San Jose, CA 95138
 PHONE: (408) 284-8200
 FAX: (408) 284-8591
www.IDT.com

REVISIONS			
REV	DESCRIPTION	DATE	APPROVED
00	INITIAL RELEASE	07/11/05	PKP
01	CHANGED BALL DIAMETER TO 0.50 MM	12/15/05	PKP
02	COMBINE PAD & LAND PATTERN	5/31/13	KS



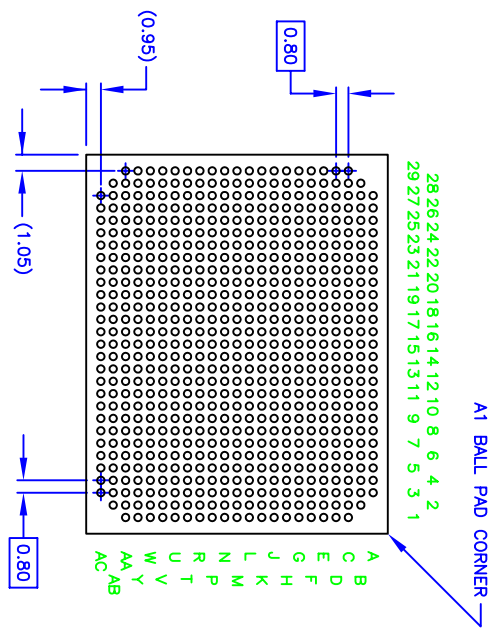
TOP VIEW



DETAIL A-A

TOLERANCES UNLESS SPECIFIED		6024 Silver Creek Valley Road	
DECIMAL	ANGULAR	San Jose, CA 95138	
XX±.05	±1°	PHONE: (408) 284-8200	
XXX±.030		FAX: (408) 284-8591	
APPROVALS	DATE	TITLE	WWW.IDI.COM
DRAWN: PKP	07/11/05	HJ/RH/HUG 655 PACKAGE OUTLINE	
CHECKED:		24.5 x 19.5 mm BODY	
		0.80 mm PITCH FCBGA	
SIZE	DRAWING No.	PSC-4148	REV
C			02
DO NOT SCALE DRAWING			SHEET 2 OF 4

REVISIONS			
REV	DESCRIPTION	DATE	APPROVED
00	INITIAL RELEASE	07/11/05	PKP
01	CHANGED BALL DIAMETER TO 0.50 MM	12/15/05	PKP
02	COMBINE PAD & LAND PATTERN	5/31/13	KS



BOTTOM VIEW
(655 SOLDER BALLS)

TOLERANCES UNLESS SPECIFIED	
DECIMAL	ANGULAR
XX.X .05	±1°
XXXX .030	
APPROVALS	DATE
<i>pkp</i>	07/11/05
DRAWN	TITLE
<i>pkp</i>	HJ/RH/HJG 655 PACKAGE OUTLINE
CHECKED	0.80 mm PITCH FCBGA
	SIZE
	DRAWING NO.
	PSC-4148
	REV
	02
DO NOT SCALE DRAWING	
	SHEET 3 OF 4



8024 Silver Creek Valley Road
San Jose, CA 95138
PHONE: (408) 284-8200
FAX: (408) 284-8591

www.IDT.com
www.IDT.com
HJ/RH/HJG 655 PACKAGE OUTLINE
0.80 mm PITCH FCBGA

