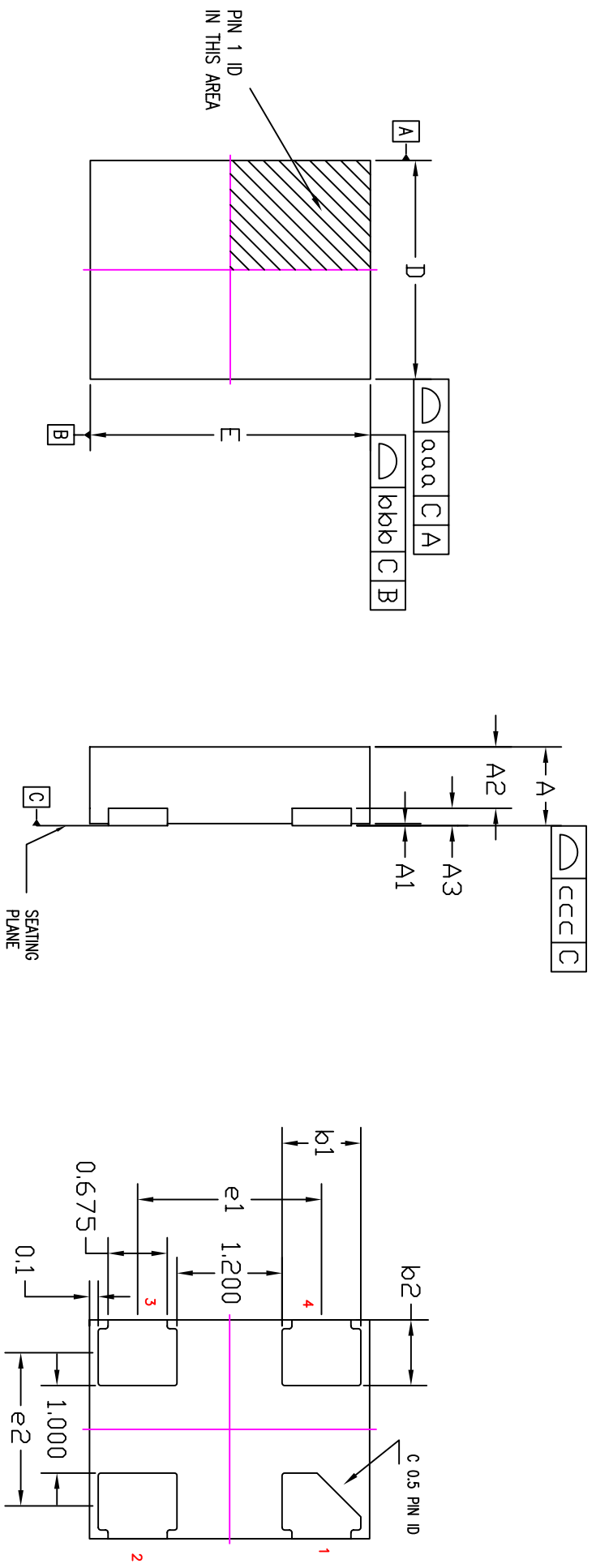


REVISIONS				
REV	DESCRIPTION	DATE	APPROVED	
00	INITIAL RELEASE	07/25/11	D. Peng	
01	COMBINE P00 and LAND PATTERN	4/9/13	RAC	




TOP VIEW

SIDE VIEW

BOTTOM VIEW

TOLERANCES UNLESS SPECIFIED		DECIMAL ANGULAR	
XXX	±	XXXX	±
APPROVALS	DATE	TITLE	
DRAWN 3C36	07/21/11	CX/CXG4 PACKAGE OUTLINE	
CHECKED		2.5 x 3.2 x 0.85 mm BODY	
		1.75 mm X-PITCH, 2.10 mm Y-PITCH	
		SIZE	DRAWING No.
		C	PSC-4380
		REV	01
DO NOT SCALE DRAWING		SHEET 1 OF 3	


6024 Silver Creek Valley Road
 San Jose, CA 95138
 PHONE: (408) 284-8200
 FAX: (408) 284-8591
www.IDT.com

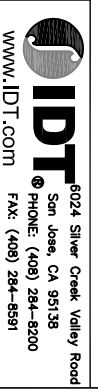
REVISIONS				
REV	DESCRIPTION	DATE	APPROVED	
00	INITIAL RELEASE	07/25/11	D. Peng	
01	COMBINE POD and LAND PATTERN	4/9/13	RAC	

* CONTROLLING DIMENSION : MM

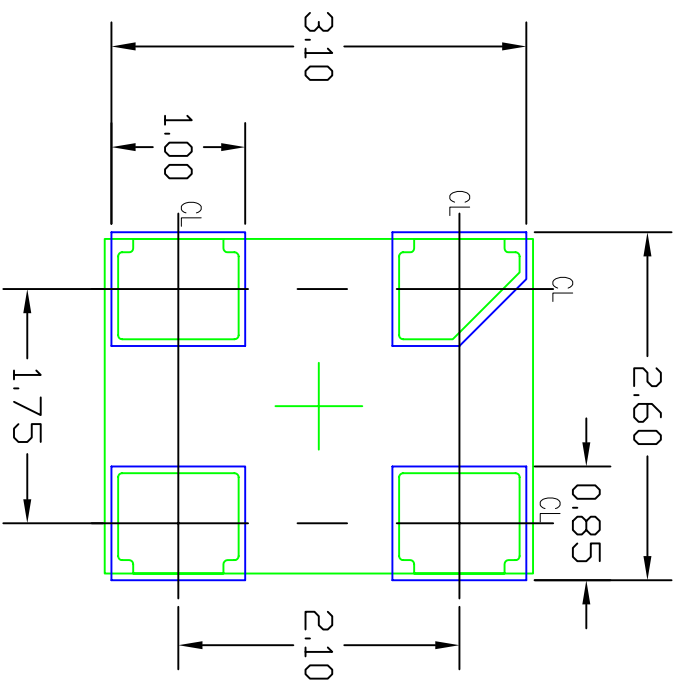
SYMBOL	MILLIMETER			INCH		
	MIN.	NOM.	MAX.	MIN.	NOM.	MAX.
A	0.80	0.85	0.90	0.031	0.033	0.035
A1	0.00	----	0.05	0.00	----	0.002
A2	----	0.65	0.70	----	0.026	0.028
A3	0.20 REF.			0.008 REF.		
b1	0.85	0.90	0.95	0.033	0.035	0.037
b2	0.70	0.75	0.80	0.027	0.030	0.031
D	2.50 bsc			0.098 bsc		
E	3.20 bsc			0.126 bsc		
e1	2.10 bsc			0.083 bsc		
e2	1.75 bsc			0.069 bsc		
TOLERANCES OF FORM AND POSITION						
aaa	0.10			0.004		
bbb	0.10			0.004		
ccc	0.05			0.002		

- NOTES :
1. ALL DIMENSIONS ARE IN MILLIMETERS.
 2. DIE THICKNESS ALLOWABLE IS 0.305 mm MAXIMUM (.012 INCHES MAXIMUM).
 3. DIMENSIONING & TOLERANCES CONFORM TO ASME Y14.5M.-1994.
 4. THE PIN #1 IDENTIFIER MUST BE PLACED ON THE TOP SURFACE OF THE PACKAGE BY USING INDENTATION MARK OR OTHER FEATURE OF PACKAGE BODY.
 5. EXACT SHAPE AND SIZE OF THIS FEATURE IS OPTIONAL.
 6. PACKAGE WARPAGE MAX 0.08 mm.

TOLERANCES UNLESS SPECIFIED		ANGULAR ±	
DECIMAL	XXX±		
ANGULAR	XXXX±		
APPROVALS	DATE	TITLE	SIZE
DRAWN 3/2%	07/21/11	CX/CXG4 PACKAGE OUTLINE	C
CHECKED		2.5 x 3.2 x 0.85 mm BODY	
		1.75 mm X-PITCH, 2.10 mm Y-PITCH	
		DRAWING No. PSC-4380	REV 01
DO NOT SCALE DRAWING		SHEET 2 OF 3	



REVISIONS			
REV	DESCRIPTION	DATE	APPROVED
00	INITIAL RELEASE	07/25/11	D. Peng
01	COMBINE POD and LAND PATTERN	4/9/13	RAC



- NOTES:
1. ALL DIMENSION ARE IN mm. ANGLES IN DEGREES.
 2. TOP DOWN VIEW. AS VIEWED ON PCB.
 3. COMPONENT OUTLINE SHOW FOR REFERENCE IN GREEN.
 4. LAND PATTERN IN BLUE. NSMD PATTERN ASSUMED.
 5. LAND PATTERN RECOMMENDATION PER IPC-7351B. GENERIC REQUIREMENT FOR SURFACE MOUNT DESIGN AND LAND PATTERN.

TOLERANCES UNLESS SPECIFIED		TITLE	
DECIMAL	ANGULAR	CY/CXG4 PACKAGE OUTLINE	
±	±	2.5 x 3.2 x 0.85 mm BODY	
±	±	1.75 mm X-PITCH, 2.10 mm Y-PITCH	
±	±	SIZE	
±	±	DRAWING No. PSC-4380	
±	±	REV 01	
DO NOT SCALE DRAWING		SHEET 3 OF 3	


IDT
 6024 Silver Creek Valley Road
 San Jose, CA 95138
 PHONE: (408) 284-8200
 FAX: (408) 284-8591
www.IDT.com

APPROVALS	DATE
DRAWN 322	07/21/11
CHECKED	