

REVISIONS			
DATE CREATED	REV	DESCRIPTION	AUTHOR
10/1/18	00	INITIAL RELEASE	J.HUA
7/30/21	01	Upd. dimensions of wettable flank	JHTAN

NOTE: REFER TO DCP FOR OFFICIAL RELEASE DATE

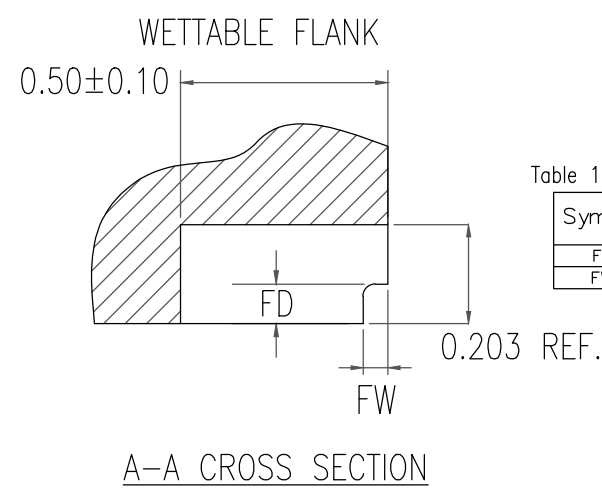
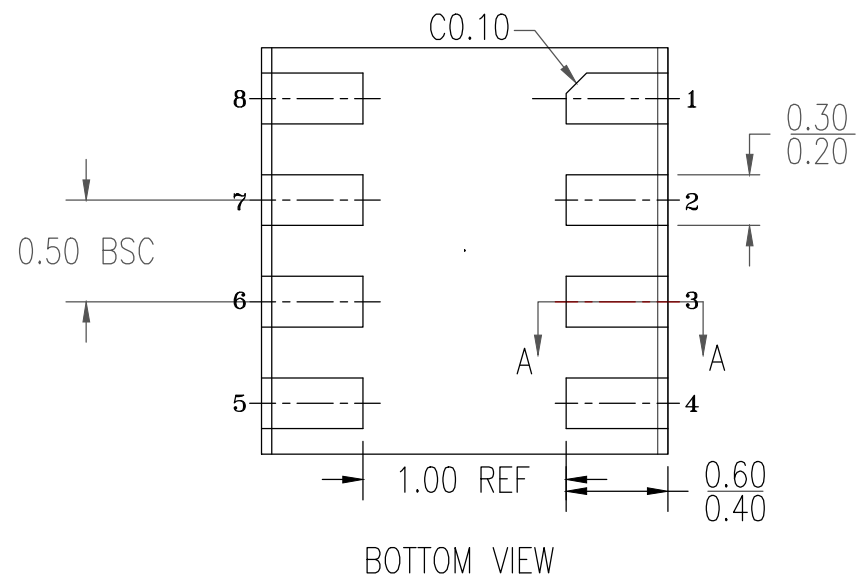
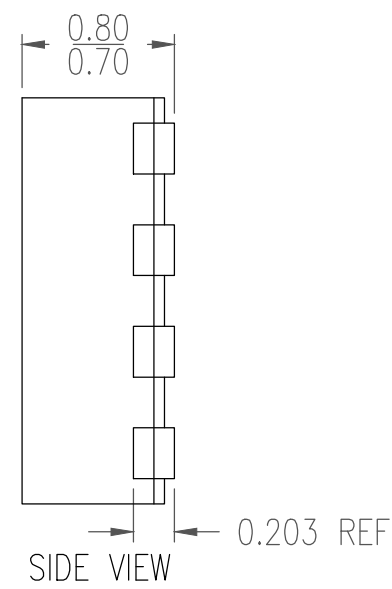
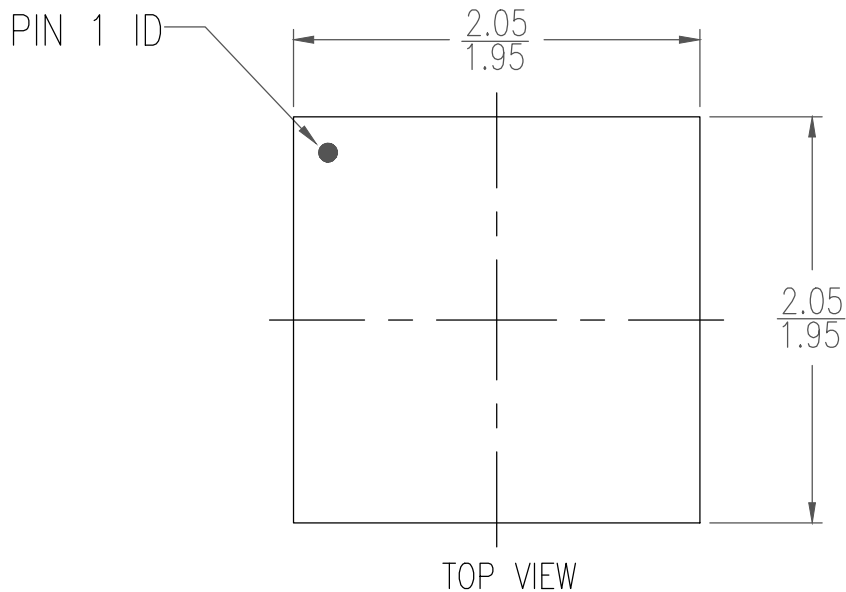


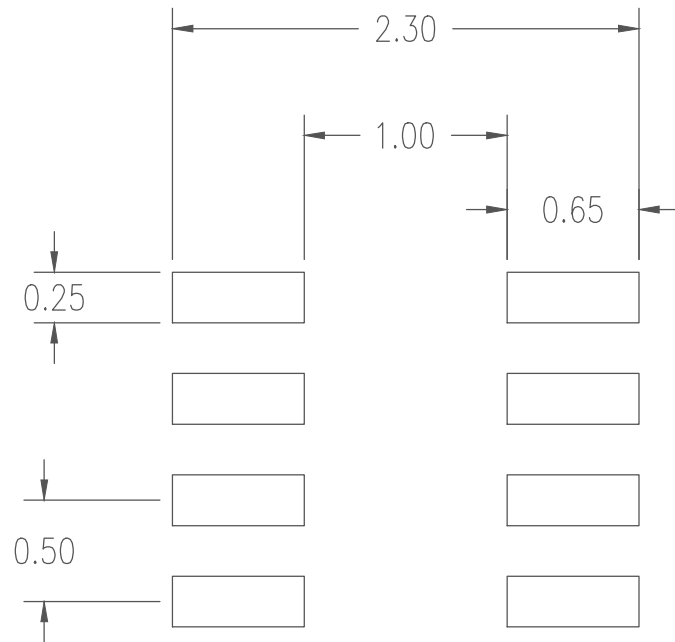
Table 1: Dimensions of wettable flank

Symbol	Unit (mm)	
	MIN	MAX
FD	0.100	-
FW	0.001	0.075

- NOTES:
1. ALL DIMENSIONING AND TOLERANCING CONFORM TO ANSI Y14.5M-1982
 2. ALL DIMENSIONS ARE IN MILLIMETERS

TOLERANCES UNLESS SPECIFIED DECIMAL ANGULAR XX± ± XXX± ± XXXX± ±	6024 SILVER CREEK VALLEY ROAD San Jose, CA 95138 PHONE: (408) 284-8200 FAX: (408) 492-8674	
	RENESAS	
TITLE CMT8 Package Outline Drawing 2.0 x 2.0 x 0.75 mm Body 0.5mm Pitch DFN		
SIZE C	DRAWING No. PSC-4778	REV 01
DO NOT SCALE DRAWING		SHEET 1 OF 2


REVISIONS			
DATE CREATED	REV	DESCRIPTION	AUTHOR
10/1/18	00	INITIAL RELEASE	J.HUA
7/30/21	01	Upd. dimensions of wettable flank	JHTAN
NOTE: REFER TO DCP FOR OFFICIAL RELEASE DATE			



RECOMMENDED LAND PATTERN DIMENSION

NOTES:

1. ALL DIMENSION ARE IN MM. ANGLES IN DEGREES.
2. TOP DOWN VIEW. AS VIEWED.
3. LAND PATTERN RECOMMENDATION PER IPC-7351B GENERIC REQUIREMENT FOR MOUNT DESIGN AND LAND PATTERN.

TOLERANCES UNLESS SPECIFIED		 6024 SILVER CREEK VALLEY ROAD San Jose, CA 95138 PHONE: (408) 284-8200 FAX: (408) 492-8674	
DECIMAL	ANGULAR		
XX±	±		
XXX±			
XXXX±		TITLE CMT8 Package Outline Drawing 2.0 x 2.0 x 0.75 mm Body 0.5mm Pitch DFN	
SIZE	DRAWING No.	REV	
C	PSC-4778	01	
DO NOT SCALE DRAWING			SHEET 2 OF 2