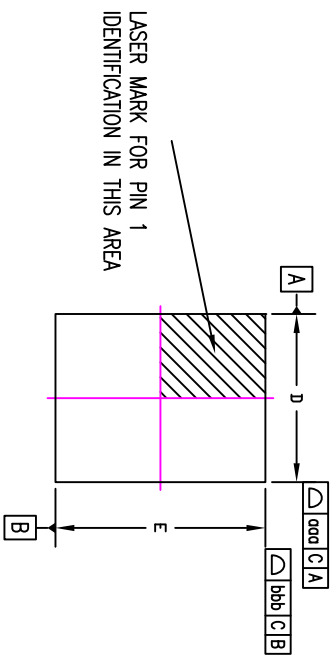
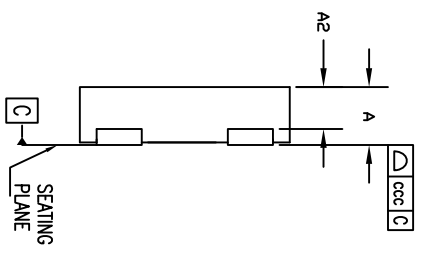


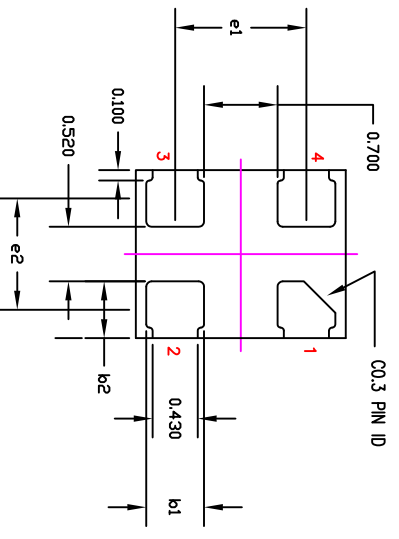
REVISIONS			
REV	DESCRIPTION	DATE	APPROVED
00	INITIAL RELEASE	08/05/11	D. Peng
01	COMBINE POD and LAND PATTERN	4/9/13	RAC
02	ADD NOTE RECOMMENDED LAND PATTERN	2/24/14	JH



TOP VIEW



SIDE VIEW



BOTTOM VIEW

TOLERANCES UNLESS SPECIFIED		6024 Silver Creek Valley Road San Jose, CA 95138	
DECIMAL	ANGULAR	PHONE: (408) 284-8200	
XXX±	±	FAX: (408) 284-8591	
XXXX±		www.IDT.com	
XXXX±		www.IDT.com	
APPROVALS	DATE	TITLE	
DRAWN: J32	08/05/11	OK/CKG4 PACKAGE OUTLINE	
CHECKED		1.6 x 2.0 x 0.55 mm BODY	
		1.06 mm X-PITCH, 1.25 mm Y-PITCH	
		SIZE	DRAWING No.
		C	PSC-4383
		REV	02
DO NOT SCALE DRAWING		SHEET 1 OF 3	


REVISIONS				
REV	DESCRIPTION	DATE	APPROVED	
00	INITIAL RELEASE	08/05/11	D. Peng	
01	COMBINE POD and LAND PATTERN	4/9/13	RAC	
02	ADD NOTE RECOMMENDED LAND PATTERN	2/24/14	JH	

* CONTROLLING DIMENSION : MM

SYMBOL	MILLIMETER			INCH		
	MIN.	NOM.	MAX.	MIN.	NOM.	MAX.
A	0.50	0.55	0.60	0.020	0.022	0.024
A2	----	0.40	0.425	----	0.016	0.017
Stand Off	MAX	0.05		MAX	0.002	
LF thickness	0.152	REF		0.006	REF	
b1	0.50	0.55	0.60	0.020	0.022	0.024
b2	0.49	0.54	0.59	0.019	0.021	0.023
D	1.60	bsc		0.063	bsc	
E	2.00	bsc		0.079	bsc	
e1	1.250	bsc		0.049	bsc	
e2	1.060	bsc		0.042	bsc	
TOLERANCES OF FORM AND POSITION						
aaa	0.05			0.002		
bbb	0.05			0.002		
ccc	0.08			0.003		

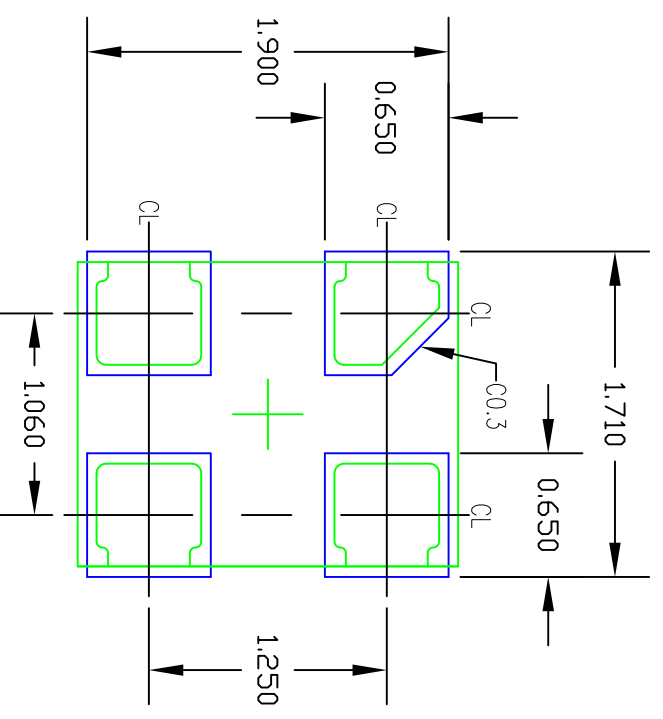
- NOTES :
1. ALL DIMENSIONS ARE IN MILLIMETERS.
 2. DIE THICKNESS ALLOWABLE IS 0.305 mm MAXIMUM (.012 INCHES MAXIMUM).
 3. DIMENSIONING & TOLERANCES CONFORM TO ASME Y14.5M.-1994.
 4. THE PIN #1 IDENTIFIER MUST BE PLACED ON THE TOP SURFACE OF THE PACKAGE BY USING INDENTATION MARK OR OTHER FEATURE OF PACKAGE BODY.
 5. EXACT SHAPE AND SIZE OF THIS FEATURE IS OPTIONAL.
 6. PACKAGE WARPAGE MAX 0.08 mm.

TOLERANCES UNLESS SPECIFIED		DECIMAL ANGULAR	
XXXX±		±	
APPROVALS		DATE	TITLE
DRAWN 3/2/08/05/11			OK/CKG4 PACKAGE OUTLINE
CHECKED			1.6 x 2.0 x 0.55 mm BODY
			1.06 mm X-PITCH, 1.25 mm Y-PITCH
		SIZE	DRAWING No.
		C	PSC-4383
		REV	02
DO NOT SCALE DRAWING		SHEET 2 OF 3	



8024 Silver Creek Valley Road
San Jose, CA 95138
PHONE: (408) 294-8200
FAX: (408) 294-8591


REVISIONS			
REV	DESCRIPTION	DATE	APPROVED
00	INITIAL RELEASE	08/05/11	D. Peng
01	COMBINE POD and LAND PATTERN	4/9/13	RAC
02	ADD NOTE RECOMMENDED LAND PATTERN	2/24/14	JH



RECOMMENDED LAND PATTERN DIMENSION

NOTES:

1. ALL DIMENSION ARE IN mm. ANGLES IN DEGREES.
2. TOP DOWN VIEW. AS VIEWED ON PCB.
3. COMPONENT OUTLINE SHOW FOR REFERENCE IN GREEN.
4. LAND PATTERN IN BLUE. NSMD PATTERN ASSUMED.
5. LAND PATTERN RECOMMENDATION PER IPC-7351B GENERIC REQUIREMENT FOR SURFACE MOUNT DESIGN AND LAND PATTERN.

TOLERANCES UNLESS SPECIFIED		 6024 Silver Creek Valley Road San Jose, CA 95138 PHONE: (408) 294-8200 FAX: (408) 294-8991 www.IDT.com	
DECIMAL	ANGULAR		
±	±		
XXXX±			
XXXX±			
APPROVALS	DATE	TITLE	
DRAWN <i>XXZ</i>	08/05/11	CK/GK4 PACKAGE OUTLINE	
CHECKED		1.6 x 2.0 x 0.55 mm BODY	
		1.06 mm X-PITCH, 1.25 mm Y-PITCH	
		SIZE DRAWING No.	REV
		C	PSC-4383
			02
DO NOT SCALE DRAWING		SHEET 3 OF 3	