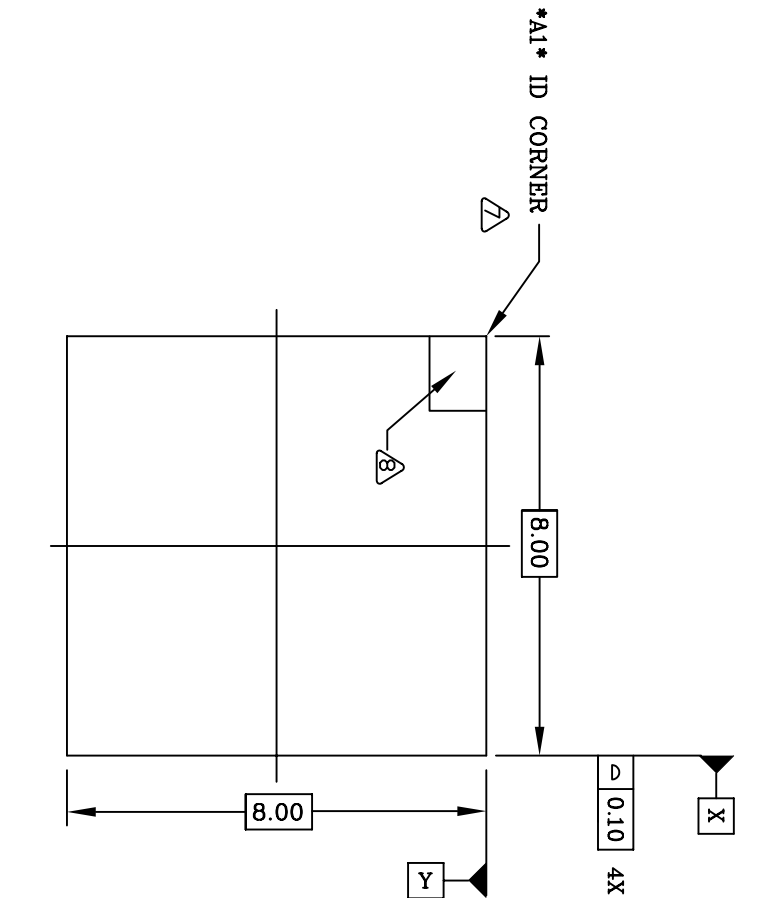
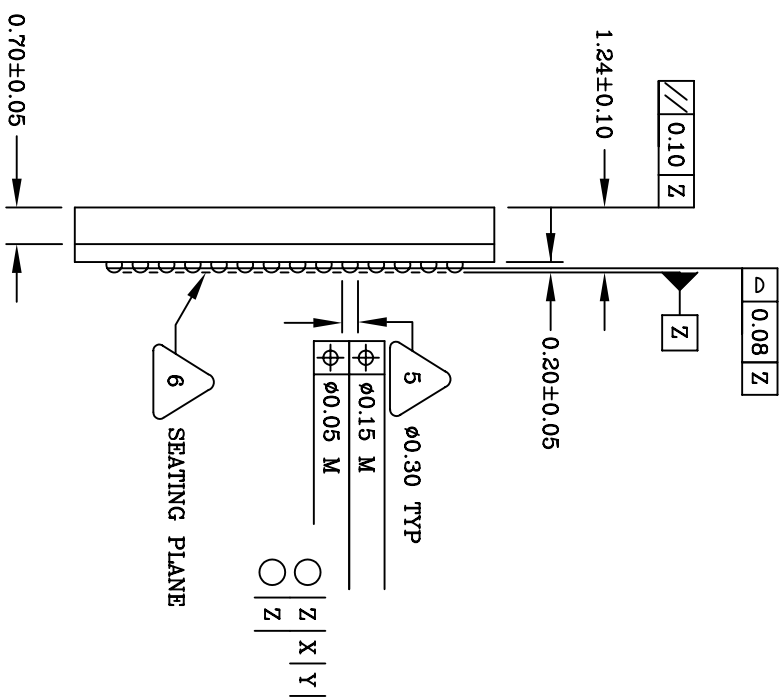


REVISIONS			
REV	DESCRIPTION	DATE	APPROVED
00	INITIAL RELEASE	11/29/01	DX
01	ADD 'GREEN' BZG NOMENCLATURE	11/18/04	TU VU
02	COMBINE PDD & LAND PATTERN	4/17/13	RC



TOP VIEW



SIDE VIEW

UNLESS OTHERWISE SPECIFIED
DIMENSIONS ARE IN MILLIMETERS
XX ±0.10
XXX ±0.05
XXXX ±0.03

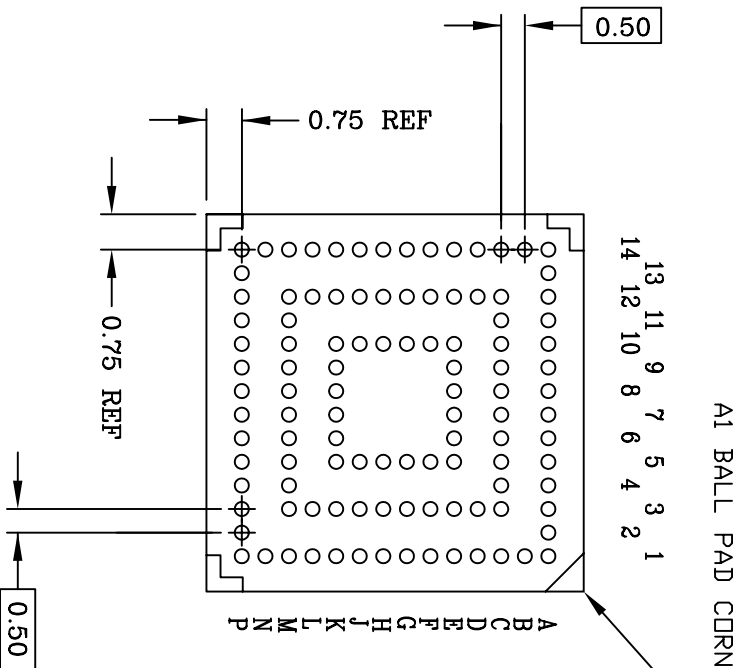
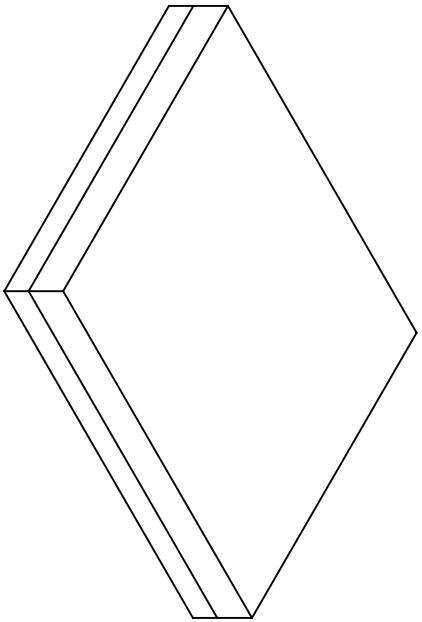
6024Silver Creek Valley Road
San Jose CA 95138
PHONE: (408) 284-8200
FAX: (408) 284-8691
www.IDT.com



APPROVALS DATE 10/15/01
DRAWN JGS
CHECKED
BZ/BZG 108 PACKAGE OUTLINE
8.0 X 8.0 mm BODY CABGA
0.5 mm Ball Pitch

DRAWING NO.	PSC-4109	SIZE	C	SCALE	N/A	REV	02
DD NOT SCALE DRAWING							
SHEET 1 OF 3							

REVISIONS			
REV	DESCRIPTION	DATE	APPROVED
00	INITIAL RELEASE	11/29/01	DX
01	ADD GREEN BZG NOMENCLATURE	11/18/04	DX
02	COMBINE PDD & LAND PATTERN	4/17/13	RC



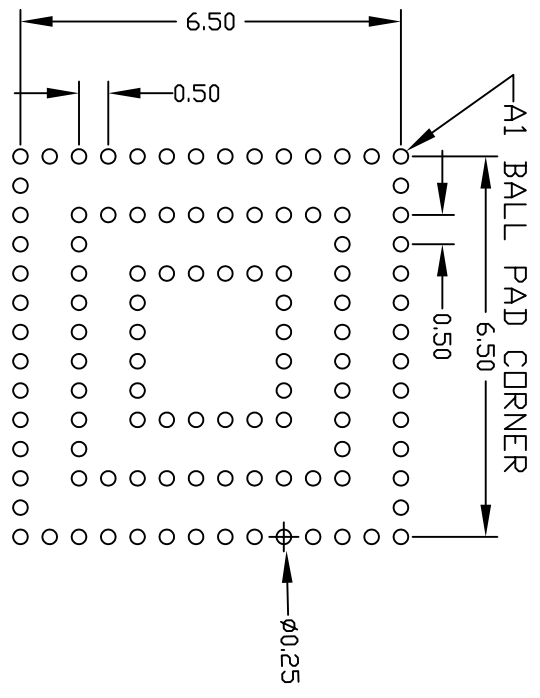
NOTES: UNLESS OTHERWISE SPECIFIED

1. ALL DIMENSIONS AND TOLERANCES CONFORM TO ASME Y14.5M-1994.
2. THE BASIC SOLDER BALL GRID PITCH IS 0.50.
3. THE MAXIMUM SOLDER BALL MATRIX SIZE IS 14 X 14.
4. THE MAXIMUM ALLOWABLE NUMBER OF SOLDER BALLS IS 108.
5. DIMENSION IS MEASURED AT THE MAXIMUM SOLDER BALL DIAMETER, PARALLEL TO PRIMARY DATUM Z.
6. PRIMARY DATUM Z AND SEATING PLANE ARE DEFINED BY THE SPHERICAL CROWNS OF THE SOLDER BALLS.
7. *A1* ID CORNER MUST BE IDENTIFIED BY CHAMFER, INK MARK, METALLIZED MARKING, INDENTATION OR OTHER FEATURE ON PACKAGE BODY.
8. IF "A1" ID CORNER IS ON PACKAGE BODY. IT MUST BE LOCATED WITHIN THE ZONE INDICATED.
9. ALL DIMENSIONS ARE IN MILLIMETERS.

BOTTOM VIEW
(108 SOLDER BALLS)


UNLESS OTHERWISE SPECIFIED DIMENSIONS ARE IN MILLIMETERS ±1°		APPROVALS		DATE	
DECIMAL XX.XX	±0.10	DRAWN	JGC	10/15/01	
XXX	±0.05	CHECKED			
XXXX	±0.03				
IDT TM		DRAWING No. BZ/BZG 108 PACKAGE OUTLINE			
www.IDT.com		8.0 X 8.0 mm BODY CABGA			
6024Silver Creek Valley Road San Jose CA 95138 PHONE: (408) 284-8200 FAX: (408) 284-8691		0.5 mm Ball Pitch			
		PSC-4109		SIZE	SCALE
				C	N/A
				REV	02
		DDI NDT SCALE DRAWING		SHEET	2 OF 3

REVISIONS			
REV	DESCRIPTION	DATE	APPROVED
00	INITIAL RELEASE	11/29/01	DX
01	ADD 'GREEN' BZG NOMENCLATURE	11/18/04	DX
02	COMBINE PDD & LAND PATTERN	4/17/13	RC



RECOMMENDED LAND PATTERN

- NOTE:
- 1) ALL dimensions are in mm, Angles in degrees.
 - 2) Top down view, as view on PCB.
 - 3) NSMD Land Pattern Assumed
 - 4) Land Pattern Recommendation as per IPC-7351B generic requirement for surface mount design and Land Pattern.

UNLESS OTHERWISE SPECIFIED DIMENSIONS ARE IN MILLIMETERS DECIMAL XX ±0.10 XXX ±0.05 XXXX ±0.03		www.IDT.com 		6024 Silver Creek Valley Road San Jose CA 95138 PHONE: (408) 284-8200 FAX: (408) 284-8691	
APPROVALS	DATE	BZ/BZG 108 PACKAGE OUTLINE			
DRAWN: gxc	10/15/01	80 X 80 mm BODY CABGA			
CHECKED		0.5 mm Ball Pitch			
DRAWING No.		PSC-4109		SIZE	SCALE
				C	N/A
				REV	02
DD NOT SCALE DRAWING					
				SHEET 3	DF 3