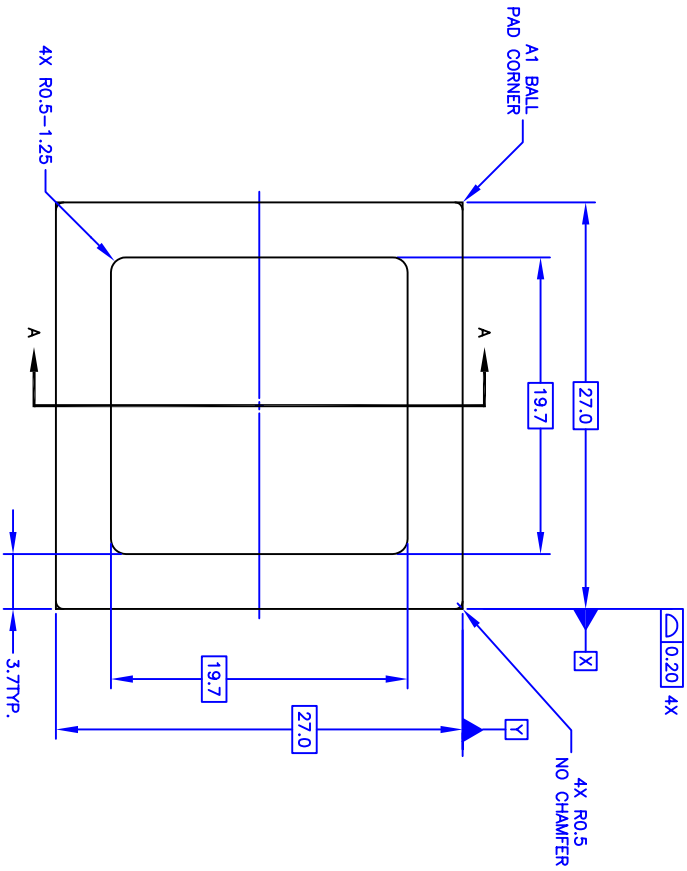
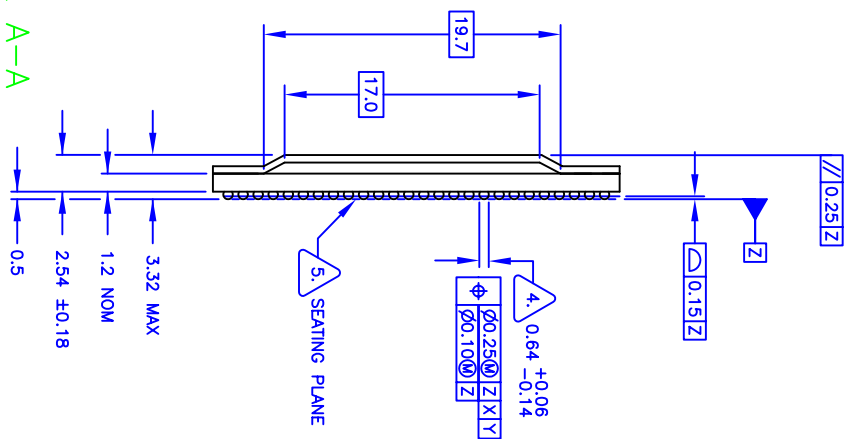


REVISIONS			
REV	DESCRIPTION	DATE	APPROVED
00	INITIAL RELEASE	05/03/05	PKP
01	COMBINE POD & LAND PATTERN	5/31/13	KS



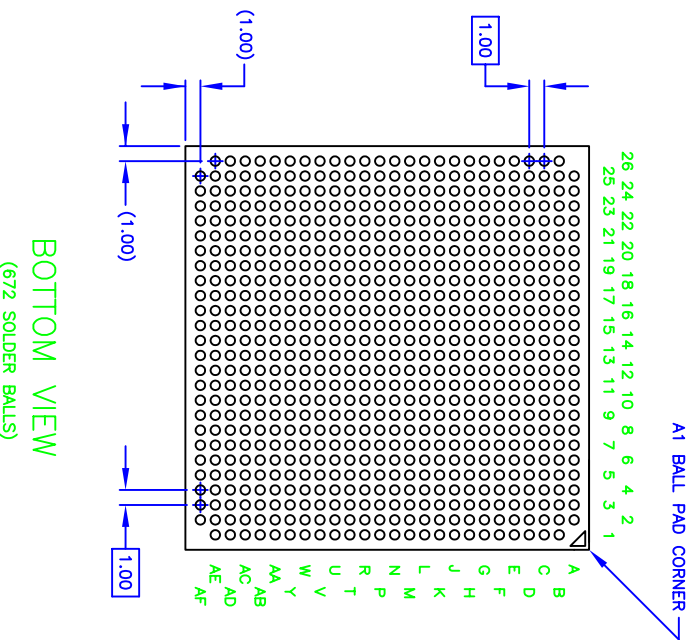
TOP VIEW

DETAIL A-A



TOLERANCES UNLESS SPECIFIED		6024 Silver Creek Valley Road	
DECIMAL	ANGULAR	San Jose CA 95138	
XX ± .05	±1°	PHONE: (408) 284-8200	
XXX ± .030		FAX: (408) 284-8591	
WWW.IDT.COM		IDT™	
TITLE		BL/BR 672 PACKAGE OUTLINE	
DRAWN		27 x 27 mm BODY	
CHECKED		1.0 mm PITCH FCBGA	
DATE	DATE	SIZE	REV
05/03/05	05/03/05	C	01
APPROVALS		DRAWING No.	PSC-4149
DO NOT SCALE DRAWING		SHEET 1 OF 3	

REVISIONS			
REV	DESCRIPTION	DATE	APPROVED
00	INITIAL RELEASE	05/03/05	PKP
01	COMBINE POD & LAND PATTERN	5/31/13	KS

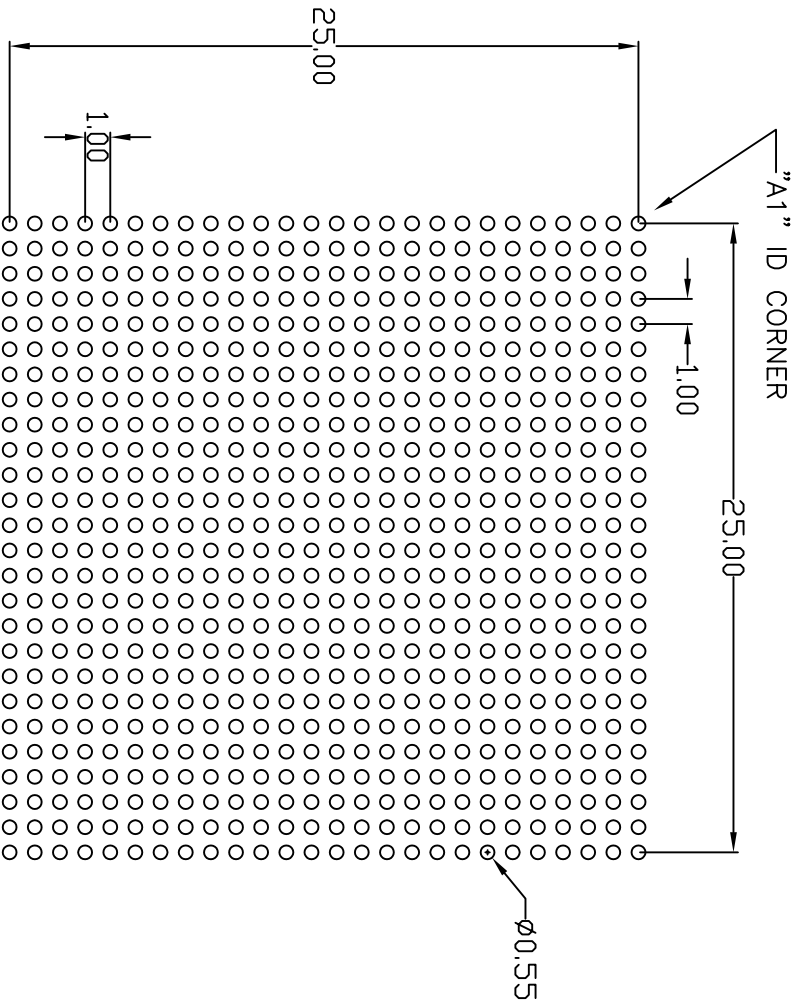


NOTES: UNLESS OTHERWISE SPECIFIED

1. ALL DIMENSIONS AND TOLERANCES CONFORM TO ASME Y14.5M-1994.
2. THE MAXIMUM SOLDER BALL MATRIX SIZE IS 26 X 26.
3. THE MAXIMUM ALLOWABLE NUMBER OF SOLDER BALLS IS 676.
4. DIMENSION IS MEASURED AT THE MAXIMUM SOLDER BALL DIAMETER, PARALLEL TO PRIMARY DATUM Z.
5. PRIMARY DATUM Z AND SEATING PLANE ARE DEFINED BY THE SPHERICAL CROWNS OF THE SOLDER BALLS.

TOLERANCES UNLESS SPECIFIED	ANGULAR		6024 Silver Creek Valley Road San Jose CA 95138 PHONE: (408) 284-8200 FAX: (408) 284-8591
DECIMAL	±.1		
XXX± .050		www.IDT.com	
APPROVALS	DATE	TITLE	SIZE
DRAWN <i>pkp</i>	05/03/05	BL/BR 672 PACKAGE OUTLINE	C
CHECKED		27 x 27 mm BODY 1.0 mm PITCH FCBGA	DRAWING No.
			PSC-4149
			REV
			01
DO NOT SCALE DRAWING			SHEET 2 OF 3


REVISIONS			
REV	DESCRIPTION	DATE	APPROVED
00	INITIAL RELEASE	05/03/05	PKP
01	COMBINE POD & LAND PATTERN	5/31/13	KS



RECOMMENDED LAND PATTERN

NOTE:

- 1) ALL dimensions are in mm, Angles in degrees.
- 2) Top down view, as view on PCB.
- 3) NSMD Land Pattern Assumed
- 4) Land Pattern Recommendation as per IPC-7351B generic requirement for surface mount design and Land Pattern.

TOLERANCES UNLESS SPECIFIED DECIMAL ANGULAR XX.X .1° XXX.X .030		 IDT 6024 Silver Creek Valley Road San Jose, CA 95138 PHONE: (408) 284-8200 FAX: (408) 284-8591 www.IDT.com	
APPROVALS	DATE	TITLE	
DRAWN: <i>DP</i>	05/03/05	BL/BR 672 PACKAGE OUTLINE	
CHECKED		27 x 27 mm BODY 1.0 mm PITCH FCBGA	
	SIZE	DRAWING No.	REV
	C	PSC-4149	01
	DO NOT SCALE DRAWING		SHEET 3 OF 3