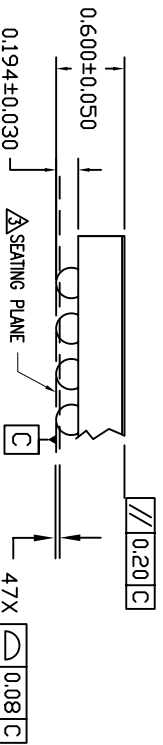
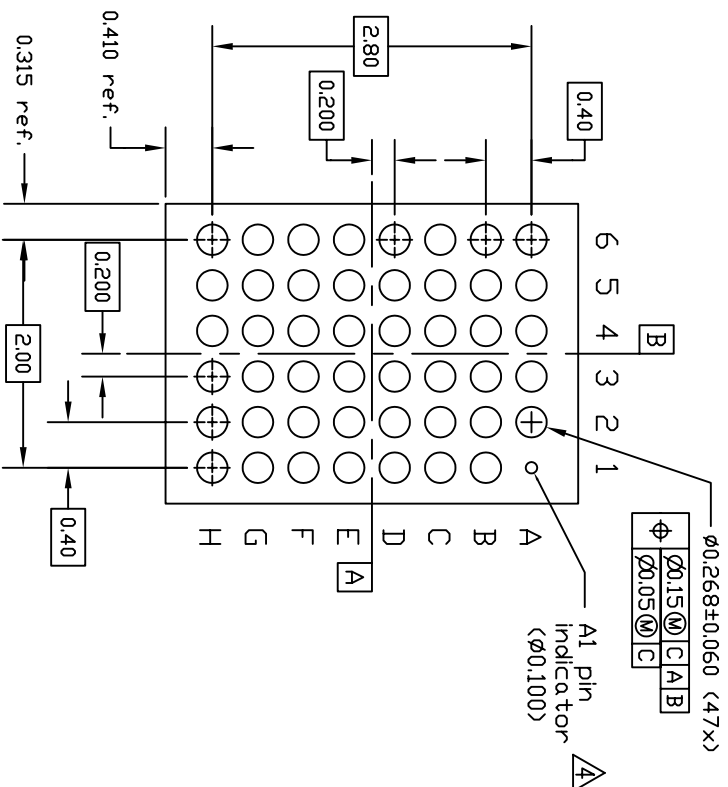
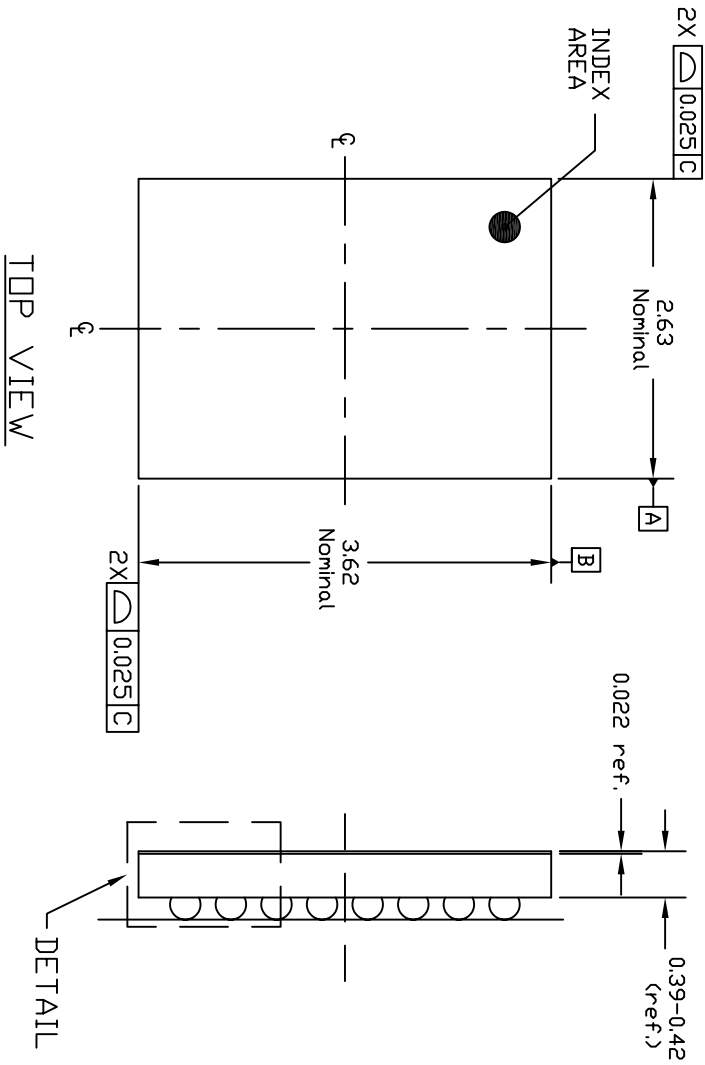


NOTES:

1. ALL DIMENSIONS AND TOLERANCES ARE PER ASME Y14.5M-1994.
  2. ALL DIMENSIONS ARE IN MILLIMETERS.
- △ SEATING PLANE AND PRIMARY DATUM -C- ARE DEFINED BY THE CONTACT POINTS OF THREE OR MORE SOLDER BALLS THAT SUPPORT THE DEVICE WHEN PLACED ON A TOP OF A PLANAR SURFACE.
- △ BOTTOM PIN#1 INDICATOR OPTIONAL.



DETAIL A  
(ROTATED 90 DEG CW)

REVISIONS

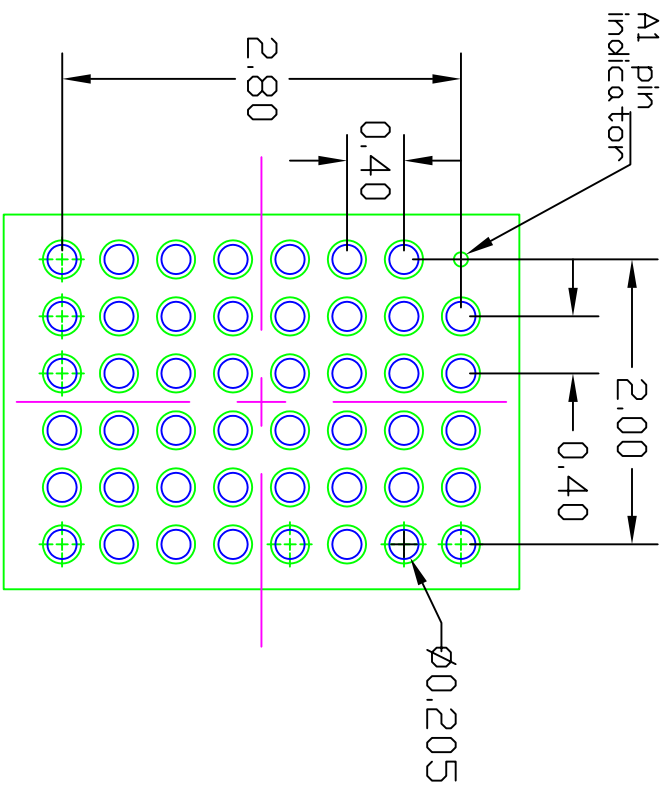
REV	DESCRIPTION	DATE	APPROVED
00	INITIAL RELEASE	11/16/12	MR
01	COMBINE POD & LAND PATTERN	7/18/13	KS

TOLERANCES UNLESS SPECIFIED		TITLE	
DECIMAL	±	ANGULAR	±
XXX.005			
XXX.012			
XXXX			
APPROVALS	DATE	DRAWING No. PSC-4446	
DRAWN 9/2/08	10/31/12	REV 01	
CHECKED		DO NOT SCALE DRAWING	
		SHEET 1 OF 2	

**IDT**  
6024 SILVER CREEK  
VALLEY ROAD, SAN JOSE,  
CA 95138  
PHONE: (408) 284-8200  
FAX: (408) 284-3572  
WWW.IDT.COM

AHG47 PACKAGE OUTLINE  
2.63 x 3.62mm BODY  
0.4mm PITCH DS80CA

REVISIONS			
REV	DESCRIPTION	DATE	APPROVED
00	INITIAL RELEASE	11/16/12	MR
01	COMBINE POD & LAND PATTERN	7/18/13	KS



- NOTES:
1. ALL DIMENSION ARE IN mm. ANGLES IN DEGREES.
  2. TOP DOWN VIEW. AS VIEWED ON PCB.
  3. COMPONENT OUTLINE SHOW FOR REFERENCE IN GREEN.
  4. LAND PATTERN IN BLUE. NSMD PATTERN ASSUMED.
  5. LAND PATTERN RECOMMENDATION PER IDT WLCSP APPLICATION NOTE.

TOLERANCES UNLESS SPECIFIED		6024 SILVER CREEK	
DECIMAL	ANGULAR	VALLEY ROAD, SAN JOSE,	
XXX.X	±	CA 95138	
XXXX.X	0.012	PHONE: (408) 284-8200	
XXXX.X		FAX: (408) 284-3572	
APPROVALS	DATE	TITLE	
DRAWN 7/1/12	10/21/12	AHG47 PACKAGE OUTLINE	
CHECKED		2.65 x 3.62mm BODY	
		0.4mm PITCH DS86CA	
SIZE	DRAWING No.	REV	
C	PSC-4446	01	
DO NOT SCALE DRAWING			SHEET 2 OF 2