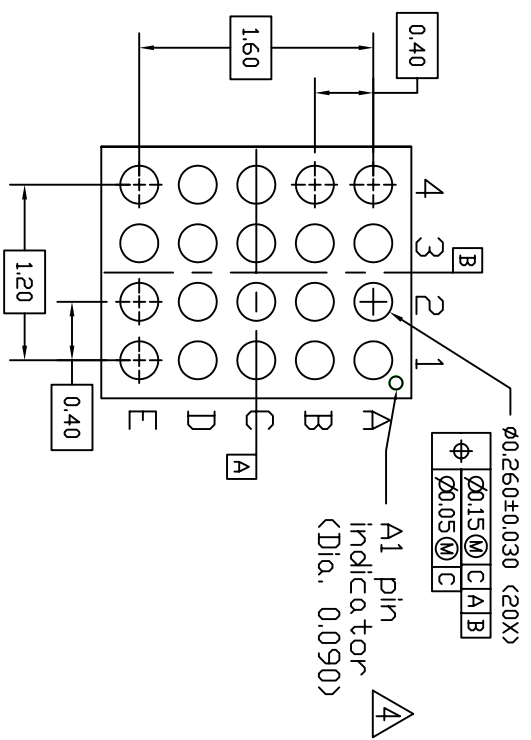
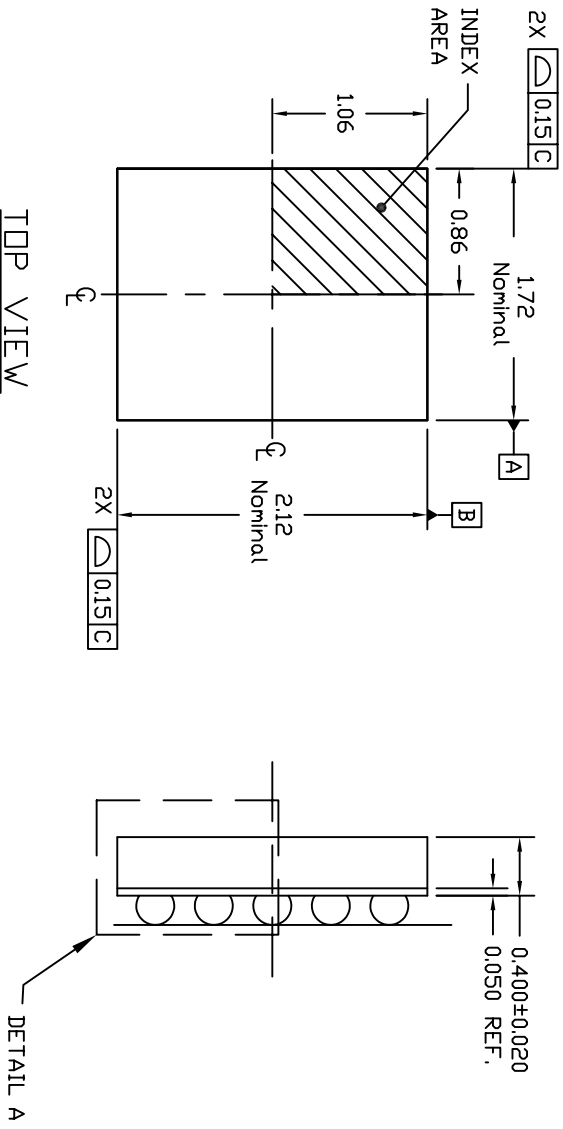


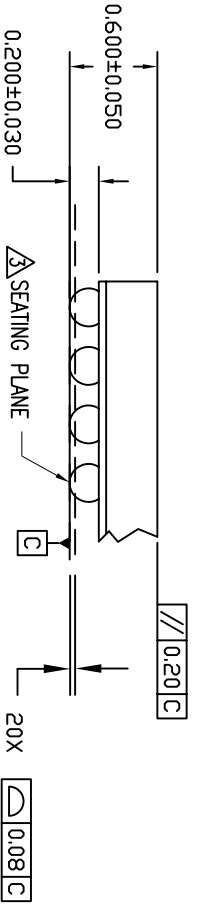
NOTES:

1. ALL DIMENSIONS AND TOLERANCES ARE PER ASME Y14.5M-1994.
 2. ALL DIMENSIONS ARE IN MILLIMETERS.
- SEATING PLANE AND PRIMARY DATUM -C- ARE DEFINED BY THE CONTACT POINTS OF THREE OR MORE SOLDER BALLS THAT SUPPORT THE DEVICE WHEN PLACED ON A TOP OF A PLANAR SURFACE.
- BOTTOM PIN#1 INDICATOR OPTIONAL.

REVISIONS			
REV	DESCRIPTION	DATE	APPROVED
00	INITIAL RELEASE	24/10/11	MR
01	COMBINE POD & LAND PATTERN	7/17/13	KS

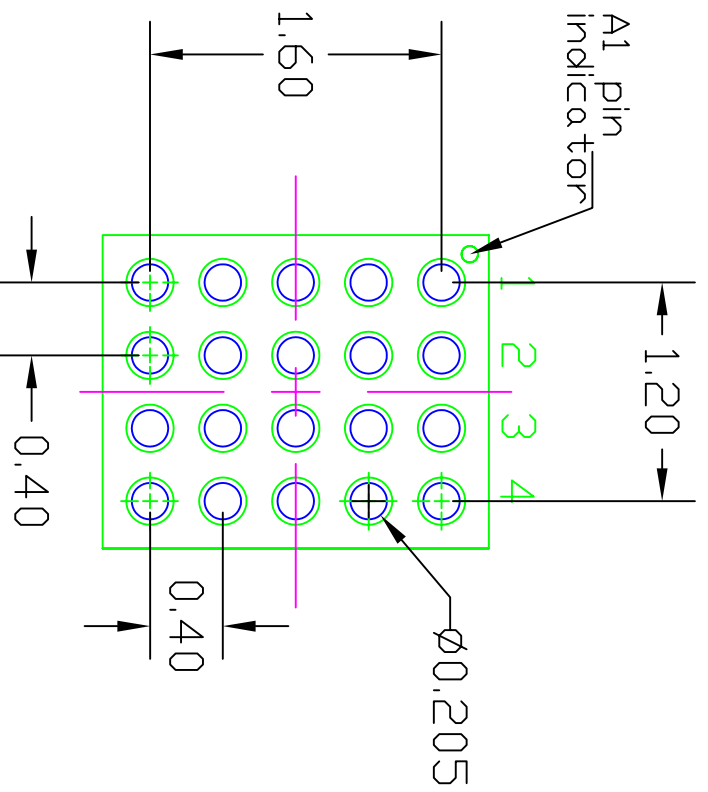


DETAIL A
(ROTATED 90 DEG CW)



TOLERANCES UNLESS SPECIFIED		6024 SILVER CREEK	
DECIMAL	ANGULAR	VALLEY ROAD, SAN JOSE, CA 95138	
XXX ± 0.05	±	PHONE: (408) 284-8200	
XXXX ± 0.012		FAX: (408) 284-3572	
XXXX ±		WWW.IDT.COM	
APPROVALS	DATE	TITLE	
DRAWN: <i>YLD</i>	14/07/11	ARG20 PACKAGE OUTLINE	
CHECKED		1.72 x 2.12 mm BODY	
		0.4mm PITCH D589A	
SIZE	DRAWING No.	REV	
C	PSC-4376	01	
DO NOT SCALE DRAWING		SHEET	1 OF 2

REVISIONS			
REV	DESCRIPTION	DATE	APPROVED
00	INITIAL RELEASE	24/10/11	MR
01	COMBINE POD & LAND PATTERN	7/17/13	KS



- NOTES:
1. ALL DIMENSION ARE IN mm. ANGLES IN DEGREES.
 2. TOP DOWN VIEW. AS VIEWED ON PCB.
 3. COMPONENT OUTLINE SHOW FOR REFERENCE IN GREEN.
 4. LAND PATTERN IN BLUE. NSMD PATTERN ASSUMED.
 5. LAND PATTERN RECOMMENDATION PER IDT WLCSP APPLICATION NOTE.

TOLERANCES UNLESS SPECIFIED		DATE		TITLE	
DECIMAL	± 0.05	DATE	14/07/11	AHQ20 PACKAGE OUTLINE	
ANGULAR	±			1.72 x 2.12 mm BODY	
XXX±	0.012			0.4mm PITCH DSRGA	
XXXX±					
APPROVALS				SIZE	DRAWING No.
DRAWN 9702				C	PSC-4376
CHECKED					
				DO NOT SCALE DRAWING	SHEET 2 OF 2



6024 SILVER CREEK
VALLEY ROAD, SAN JOSE,
CA 95138
PHONE: (408) 284-8200
FAX: (408) 284-3572

www.IDT.com