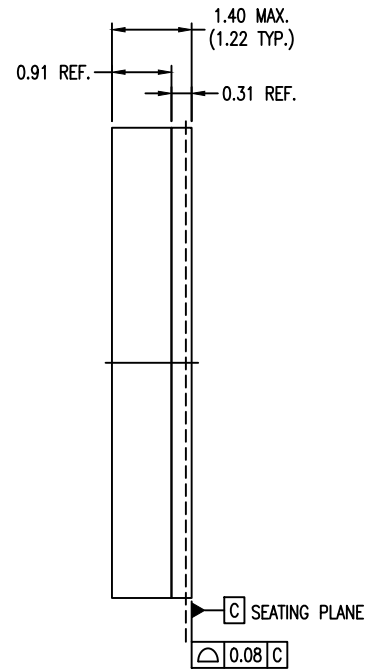
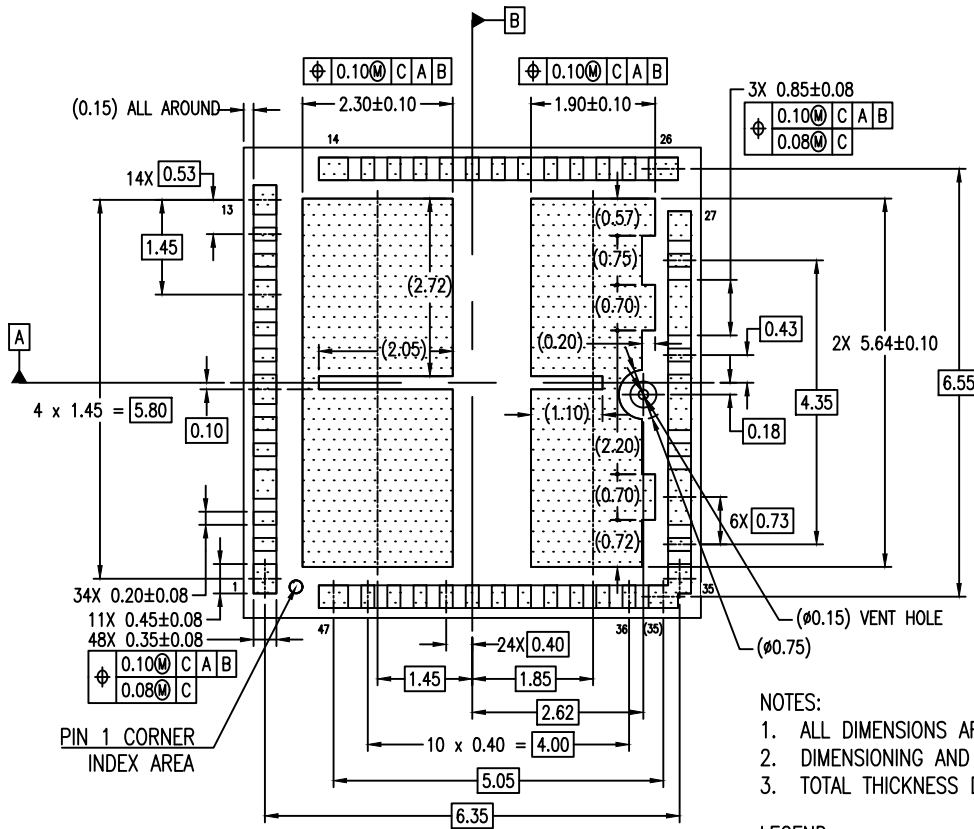


TOP VIEW



SIDE VIEW

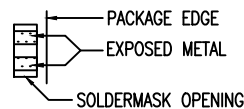


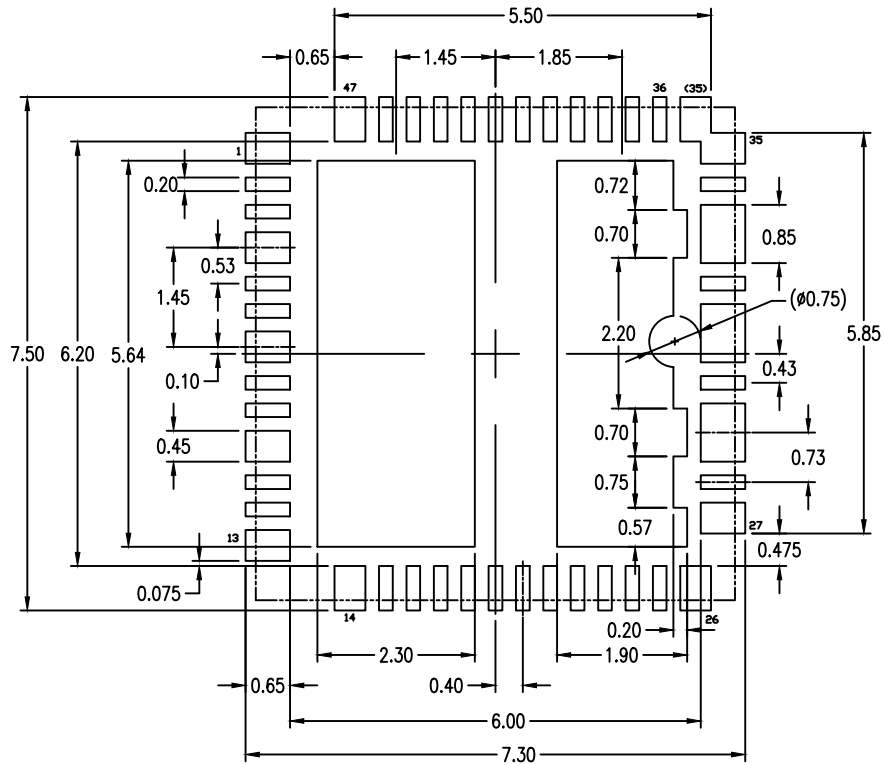
BOTTOM VIEW

NOTES:

1. ALL DIMENSIONS ARE IN MILLIMETERS
2. DIMENSIONING AND TOLERANCING PER ASME Y14.5M 2009
3. TOTAL THICKNESS DOES NOT INCLUDE SAW BURR

LEGEND:





RECOMMENDED LAND PATTERN DIMENSION

NOTES:

1. ALL DIMENSION ARE IN MM. ANGLES IN DEGREES.
2. TOP DOWN VIEW. AS VIEWED ON PCB.
3. LAND PATTERN RECOMMENDATION PER IPC-7351B GENERIC REQUIREMENT FOR SURFACE MOUNT DESIGN AND LAND PATTERN.

Package Revision History		
Date Created	Rev No.	Description
Jan. 16, 2020	00	Initial release