

# RZ Ecosystem Partner Solution

## TRIA SM2S-G3E SMARC Module



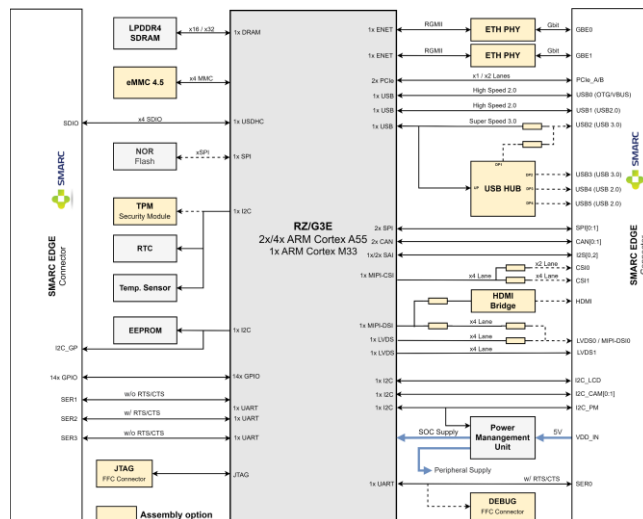
### Solution Summary

The TRIA SM2S-G3E SMARC 2.2 module family is equipped with the latest cost-effective and power-efficient **RZ/G3E** processors, manufactured by Renesas. The new module family is compatible with previous Renesas based modules SMS-G2UL, SM2S-G2L and SM2S-V2L and provides developers with more performance and features for their projects. For evaluation and design-in of the TRIA SM2S-G3E module, Tria Technologies provides a development platform and a starter kit. Support for Linux is available.

### Features/Benefits

- Fully scalable TRIA product family
- Based on open SMARC 2.2 standard
- Small size form factor : 80x52mm
- Full industrial temperature range -40°C to +85°C
- Designed and manufactured in Germany
- Yocto Linux board support package
- Product longevity up to 15 years
- Up to 8GB LPDDR4 with inline ECC
- Up to 256GB eMMC Flash
- Dual Independent Display support
- MIPI CSI-2 Camera interface
- Dual GbE (supports TSN/ IEEE 1588)
- PCIe Gen. 3, USB 3.2, USB 2.0
- SDIO, CAN-FD, UART, SPI, I2C, I2S

### Diagrams/Graphics



### Target Markets and Applications

- Home automation
- Building automation
- Industrial HMI
- Machine vision
- Surveillance
- Smart city
- Smart camera
- Robot
- Home appliances
- Factory automation and control
- Intelligent access control

## About Tria

Tria Technologies builds embedded compute, display and software solutions that meet the demand for innovation and quality, with reduced time to market, using platform technologies, design and manufacturing capabilities, and a world-class team of experts.

Formerly known as MSC Technologies, the business was acquired by Avnet and continues to design and manufacture award-winning embedded technology in-house. Whether it's HMI, industrial, medical or transportation solutions, TRIA helps its customers to build the best products for their market.

TRIA has many years of development and production expertise ranging from COM HPC, COM Express, Q7, SMARC and OSM modules through customized SBC's and complete systems. Due to its consulting competence in providing turnkey solutions, TRIA secures a competitive advantage for its customers with premium-quality solutions and long-term availability. Utilizing Avnet's global logistics footprint and sales organizations, TRIA can serve any customer worldwide.

## Who we are

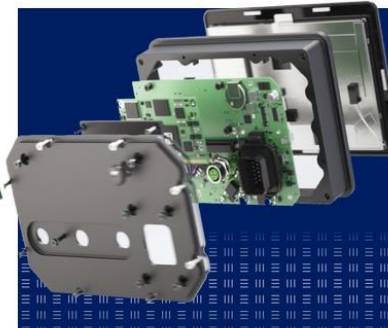
- One of the largest Global COM Manufacturers with Worldwide Infrastructure and Technical Support
- Leading-edge Manufacturing, Production Flexibility and Best-In-Class Quality
- From Standard Modules (COM) to Board Customization
- Cutting Edge Custom Solutions
- Standard Innovator
- Strategic Partner



### Modules

Select from the largest range of embedded compute modules, single-board computers and system building blocks, developed with the best-recognized processor technologies. Use as-is or fully customize.

[Learn more](#)



### Systems & HMI

Design a full compute system for your product with our world-class system design team. Build a full system including memory, storage, cooling, housing and displays to perfectly suit your application.

[Learn more](#)



### Software

Solve challenges with software with our multi-faceted software team, who customize BIOS, drivers, operating systems and applications around your product. Use our toolkits to get your application running in record time.

[Learn more](#)

[For additional details please download our Embedded Compute Brochure](#)

[Contact Us - Tria Technologies](#)