

## RX Ecosystem Partner Solution

# SX-ULPGN – Ultra-Low-Power Wi-Fi IoT Module



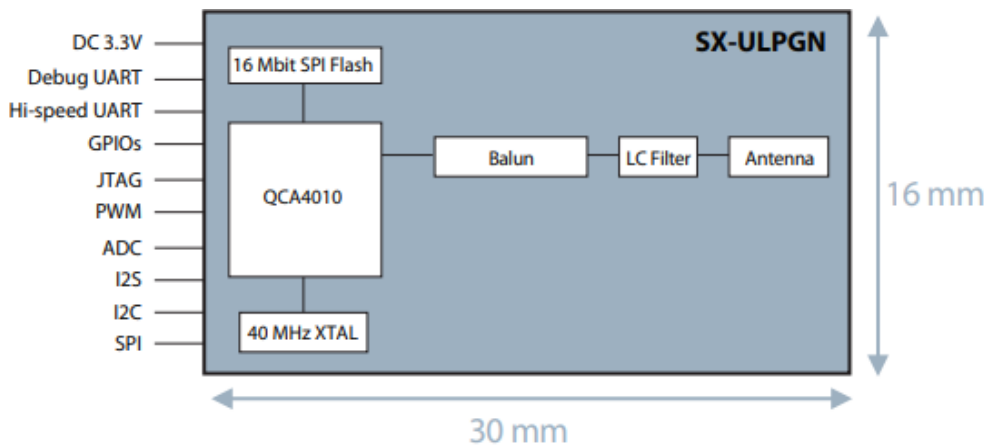
### 1. Solution Summary

The SX-ULPGN is an ultra-low-power Wi-Fi IoT module that works out-of-box with the [RX family of MCUs](#). This low power Wi-Fi IoT module is based on QCA4010 radio from Qualcomm. It is ideal. The SX-ULPGN module is an excellent choice for device OEMs looking to design Wi-Fi connected products in a cost-effective way.

### 2. Features/Benefits

- IEEE 802.11b/g/n-compliant (2.4 GHz)
- QCA4010 Radio
- Single Stream System (1x1)
- 20 MHz Integrated RF front end
- PCB trace antenna
- Host-less or hosted stack Options
- Modular Certifications
- AllJoyn support
- Wi-Fi Protected Setup
- IEEE sleep, fast wake-up, low power Rx

### 3. Diagrams/Graphics

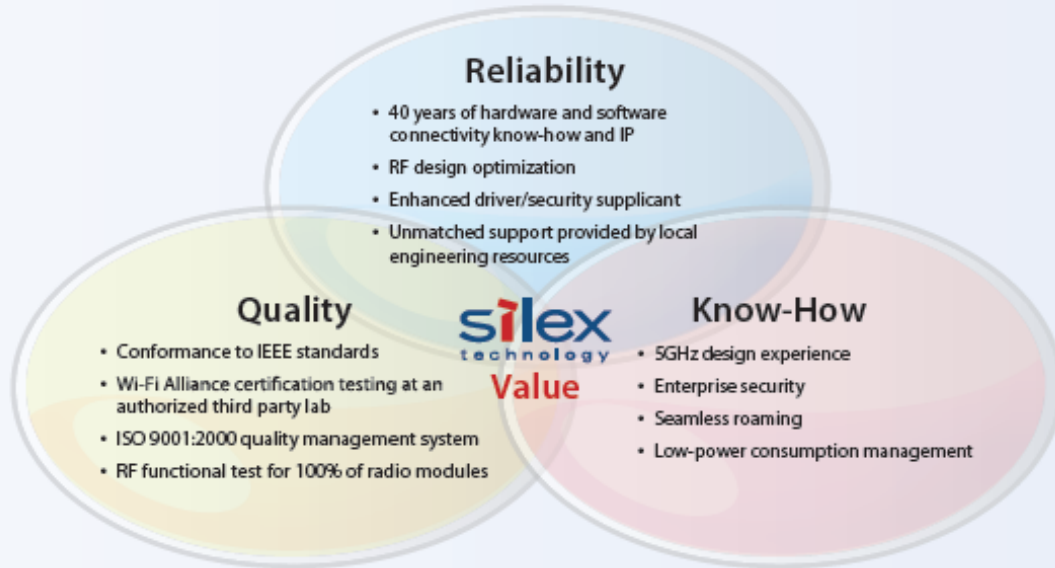


### 4. Target Markets and Applications

- Smart Building
- Appliances and Remote Controls
- Automation, Smart City
- Lighting



## Why Choose Silex Technology?



At Silex Technology, our expertise is built on more than 40 years of hardware and software connectivity know-how and IP, custom design development experience, and manufacturing capabilities. With relentless attention to quality, exclusive access to Qualcomm Atheros silicon and expertise, and strategic partnerships with leading real-time operating system (RTOS) and semiconductor providers, we are the trusted leader in reliable Wi-Fi connectivity.

### Silex Technology Support from Design through Deployment



**Americas**  
[sales@silexamerica.com](mailto:sales@silexamerica.com)

**Sales and Support**  
**EMEA**  
[sales@silexeurope.com](mailto:sales@silexeurope.com)

**China**  
 Phone +86 10 6440 3958

**Japan**  
[silex@silex.jp](mailto:silex@silex.jp)  
 Phone: +81-774-98-3781

### Global Distribution

Arrow Electronics   Future Electronics   Mouser Electronics