

AC/DC Secondary-Side Controller for Qualcomm® Quick Charge™ 2.0 USB Interface and Secondary-Primary Communication

1 Description

The iW626 is an AC/DC secondary-side controller for QC2.0 USB interface and secondary-primary communication. The device allows rapid charging of QC2.0-enabled PDs. The iW626 resides on the secondary side of an AC/DC power supply and allows the adapter to be configured for 5V, 9V, or 12V output depending on the voltage requested by QC2.0 enabled PD. It can be used in Dialog's primary-side controlled AC/DC systems to achieve fast voltage transition, low no-load power consumption and fast dynamic load response. The iW626 implements Dialog's proprietary secondary-to-primary digital communication technique. When paired with Dialog's primary-side controller iW1780, the iW626 eliminates the discrete decoders in the primary side and simplifies system designs. The iW626 uses one optocoupler to transmit all necessary information for rapid charge, including output voltage requests, output current limits, output voltage undershoot and output over-voltage. It also has a built-in optocoupler LED driver to minimize the bill of material cost.

Dialog's innovative proprietary technology ensures that power supplies designed with the iW626 and iW1780 can provide 5V/9V/12V output voltage configuration, with user-selected various output current limit combinations. Furthermore, the chipset can achieve <10mW no-load power consumption at 5V2A output setting and fast dynamic load response in typical AC/DC HVDCP adapter designs.

Qualcomm® Quick Charge™ 2.0 is a product of Qualcomm Technologies, Inc.

2 Features

- Supports Qualcomm® Quick Charge™ 2.0 (QC2.0) technology High Voltage Dedicated Charging Port (HVDCP) Class A with voltage configuration of 5V, 9V, and 12V
- Proprietary secondary-to-primary digital communication eliminates discrete decoders in the primary side and simplifies system designs
- Single optocoupler transmits all information for rapid charge: output voltage requests, output current limits, output voltage undershoot, and over-voltage protection
- Backward compatible with USB Battery Charging Specification Revision 1.2 (USB BC1.2) Dedicated Charging Port (DCP)
- Programmable active fast discharge from 9V/12V to 5V at portable device (PD) unplug or from a high voltage level to a lower level upon request with built-in switch or external switch
- Normally OFF state with <120µA cut-off current during 5V steady-state operation to achieve <10mW power consumption at no load
- Wide operating voltage range from 3V to 25V
- Built-in optocoupler LED driver with minimum driving current of 2mA
- 6-lead SOT-23 package

3 Applications

- Rapid-charging AC/DC adapters for smart phones, tablets, and other portable devices



AC/DC Secondary-Side Controller for Qualcomm® Quick Charge™ 2.0 USB Interface and Secondary-Primary Communication

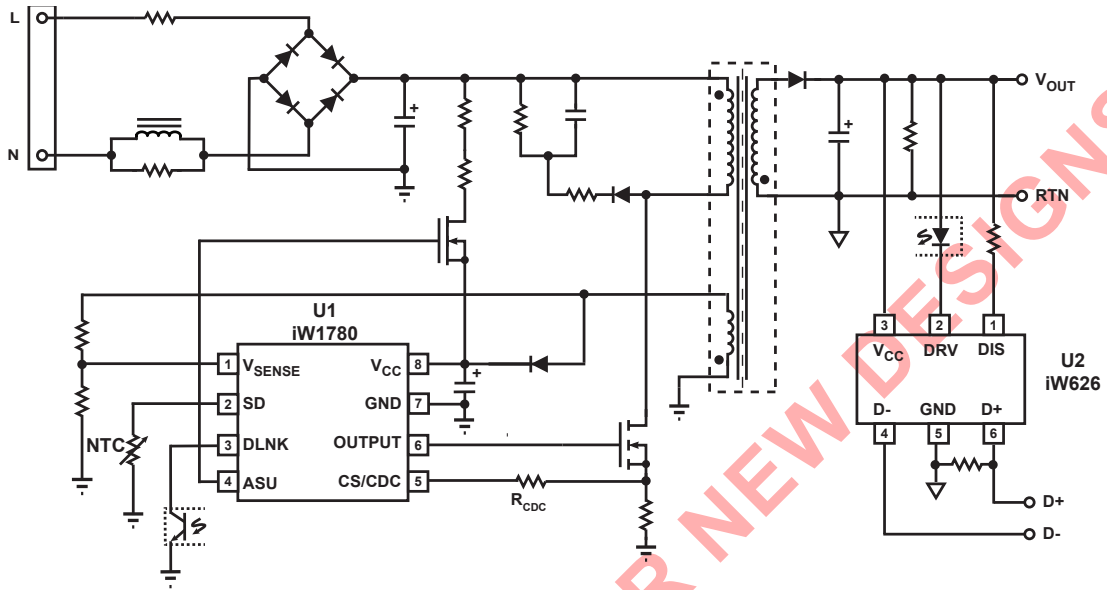


Figure 3.1 : iW626 Typical Application Circuit for Multi-Level Output Voltage and Current (Using iW1780 as Primary-Side Controller. Achieving <10mW No-Load Power Consumption)

AC/DC Secondary-Side Controller for Qualcomm® Quick Charge™ 2.0 USB Interface and Secondary-Primary Communication

4 Pinout Description

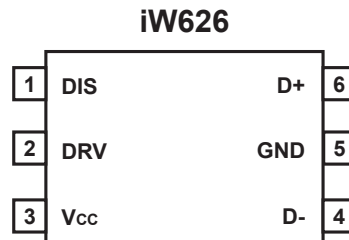


Figure 4.1 : 6-Pin SOT23 Package

Pin No.	Pin Name	Type	Pin Description
1	DIS	Analog Output	Discharging circuit and external FET drive. Used for fast discharging of output capacitor. Also can be used for driving external FET.
2	DRV	Analog Output	External circuit drive. Can be used for optocoupler LED drive with automatic current limiting for transmitting signals to primary side.
3	V _{CC}	Power Supply	IC power supply.
4	D-	Analog Input	USB D- signal.
5	GND	Ground	Ground.
6	D+	Analog Input	USB D+ signal.

AC/DC Secondary-Side Controller for Qualcomm® Quick Charge™ 2.0 USB Interface and Secondary-Primary Communication

5 Absolute Maximum Ratings

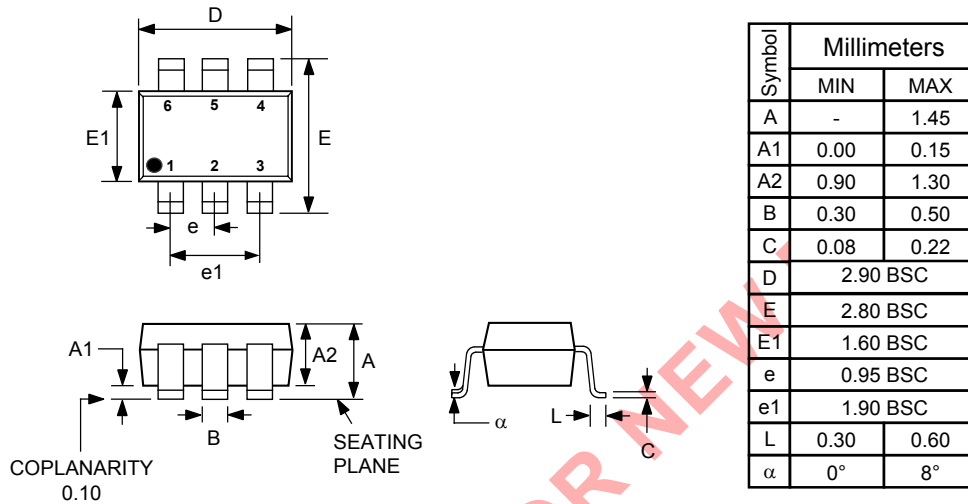
Absolute maximum ratings are the parameter values or ranges which can cause permanent damage if exceeded. For maximum safe operating conditions, refer to Electrical Characteristics in Section 6.

Parameter	Symbol	Value	Units
DIS (pin 1) voltage	V_{DIS}	30	V
DRV (pin 2) voltage	V_{DRV}	30	V
Vcc (pin 3) voltage	V_{CC}	30	V
D- (pin 4) voltage	V_{D-}	-0.3 to 7	V
D+ (pin 6) voltage	V_{D+}	-0.3 to 7	V
Continuous DC current at DRV pin ($V_{DRV} = 11V$)	I_{DRV}	25	mA
Continuous DC supply current at V_{CC} pin ($V_{CC} = 12V$)	I_{VCC}	25	mA
Peak current at DIS pin ($V_{DIS} = 12V$)	I_{DIS}	600	mA
Maximum junction temperature	T_{JMAX}	150	°C
ESD rating per JEDEC JS-001-2017 (D+ and D- pins)		±4,000	V
ESD rating per JEDEC JS-001-2017 (all other pins)		±2,000	V

AC/DC Secondary-Side Controller for Qualcomm® Quick Charge™ 2.0 USB Interface and Secondary-Primary Communication

6 Physical Dimensions

6-Lead SOT Package



Compliant to JEDEC Standard MO-178AB

Controlling dimensions are in millimeters

This package is RoHS compliant and Halide free.

Soldering Temperature Resistance:

[a] Package is IPC/JEDEC Std 020D Moisture Sensitivity Level 1

[b] Package exceeds JEDEC Std No. 22-A111 for Solder Immersion Resistance; packages can withstand 10 s immersion < 260°C

Dimension D does not include mold flash, protrusions or gate burrs. Mold flash, protrusions or gate burrs shall not exceed 0.25 mm per side.

The package top may be smaller than the package bottom. Dimensions D and E1 are determined at the outermost extremes of the plastic body exclusive of mold flash, tie bar burrs and interlead flash, but including any mismatch between top and bottom of the plastic body.

AC/DC Secondary-Side Controller for Qualcomm® Quick Charge™ 2.0 USB Interface and Secondary-Primary Communication

7 Ordering Information

Part No.	Options	Package	Description
iW626-00	k=0.5/0.411/0.322 for CC limits for 5/9/12V configuration, 4.8V undershoot threshold for 5V, 11kΩ dynamic preload at 5V	SOT-23	Tape & Reel ¹
iW626-04	k=0.411 for CC limits for 5/9V configuration, k=0.322 for 12V, 4.7V undershoot threshold for 5V, 11kΩ dynamic preload at 5V	SOT-23	Tape & Reel ¹
iW626-06	k=0.5/0.322/0.231 for CC limits for 5/9/12V configuration, 4.7V undershoot threshold for 5V, 11kΩ dynamic preload at 5V	SOT-23	Tape & Reel ¹
iW626-21	k=0.5/0.411 for CC limits for 5V/9V configuration, 12V is disabled with V _{OUT} remaining unchanged upon 12V request, 4.8V undershoot threshold for 5V, no dynamic preload. See Note 2.	SOT-23	Tape & Reel ¹
iW626-24	k=0.411 for CC limits for 5V/9V configuration, 12V is disabled with V _{OUT} remaining unchanged upon 12V request, 4.8V undershoot threshold for 5V, 11kΩ dynamic preload at 5V. See Note 2.	SOT-23	Tape & Reel ¹

Note 1: Tape and reel packing quantity is 3,000/reel. Minimum packing quantity is 3,000.

Note 2: Adapters designed with product options of -20/21/24 may not pass HVDCP compliancy test.

AC/DC Secondary-Side Controller for Qualcomm® Quick Charge™ 2.0 USB Interface and Secondary-Primary Communication

IMPORTANT NOTICE AND DISCLAIMER

RENESAS ELECTRONICS CORPORATION AND ITS SUBSIDIARIES (“RENESAS”) PROVIDES TECHNICAL SPECIFICATIONS AND RELIABILITY DATA (INCLUDING DATASHEETS), DESIGN RESOURCES (INCLUDING REFERENCE DESIGNS), APPLICATION OR OTHER DESIGN ADVICE, WEB TOOLS, SAFETY INFORMATION, AND OTHER RESOURCES “AS IS” AND WITH ALL FAULTS, AND DISCLAIMS ALL WARRANTIES, EXPRESS OR IMPLIED, INCLUDING, WITHOUT LIMITATION, ANY IMPLIED WARRANTIES OF MERCHANTABILITY, FITNESS FOR A PARTICULAR PURPOSE, OR NON-INFRINGEMENT OF THIRD PARTY INTELLECTUAL PROPERTY RIGHTS.

These resources are intended for developers skilled in the art designing with Renesas products. You are solely responsible for (1) selecting the appropriate products for your application, (2) designing, validating, and testing your application, and (3) ensuring your application meets applicable standards, and any other safety, security, or other requirements. These resources are subject to change without notice. Renesas grants you permission to use these resources only for development of an application that uses Renesas products. Other reproduction or use of these resources is strictly prohibited. No license is granted to any other Renesas intellectual property or to any third party intellectual property. Renesas disclaims responsibility for, and you will fully indemnify Renesas and its representatives against, any claims, damages, costs, losses, or liabilities arising out of your use of these resources. Renesas' products are provided only subject to Renesas' Terms and Conditions of Sale or other applicable terms agreed to in writing. No use of any Renesas resources expands or otherwise alters any applicable warranties or warranty disclaimers for these products.

© 2022 Renesas Electronics Corporation. All rights reserved.

RoHS Compliance

Dialog Semiconductor's suppliers certify that its products are in compliance with the requirements of Directive 2011/65/EU of the European Parliament on the restriction of the use of certain hazardous substances in electrical and electronic equipment. RoHS certificates from our suppliers are available on request.

(Rev.1.0 Mar 2020)

Corporate Headquarters

TOYOSU FORESIA, 3-2-24 Toyosu
Koto-ku, Tokyo 135-0061, Japan
www.renesas.com

Contact Information

For further information on a product, technology, the most up-to-date version of a document, or your nearest sales office, please visit:
www.renesas.com/contact/

Trademarks

Renesas and the Renesas logo are trademarks of Renesas Electronics Corporation. All trademarks and registered trademarks are the property of their respective owners.