
PRODUCT ADVISORY

**Data Sheet Specification Change for
Intersil Products ISL59601*,
ISL59602*, ISL59603*, ISL59604*,
and ISL59605***

**Refer to:
PA12072**

Date: September 6, 2012

September 6, 2012

To: Our Valued Intersil Customer

Subject: **Data Sheet Specification Change for Intersil Products ISL59601*, ISL59602*, ISL59603*, ISL59604*, and ISL59605***

This advisory is to inform you that Intersil has made an enhancement to the data sheet application circuits for the listed ISL59601*, ISL59602*, ISL59603*, ISL59604*, and ISL59605* products. Although the current application circuitry is functionally correct, the update will improve Intersil's product performance. The changes affect the termination requirements outlined in the *Figure 45 – Application Circuit for UTP Cable*, *Figure 46 – Application Circuit for COAX Cable*, *Figure 47 – Application Circuit for UTP/COAX Cable*, and verbiage in the related sections. Details regarding the changes to the figures are contained on the following pages. The updated data sheet is available on the Intersil web site at <http://www.intersil.com/content/dam/Intersil/documents/fn67/fn6739.pdf>.

Products affected:

ISL59601IRZ	ISL59602IRZ-T7A	ISL59604IRZ	ISL59605IRZ-T7A
ISL59601IRZ-T7	ISL59603IRZ	ISL59604IRZ-T7	ISL59605IRZ-T7S2756
ISL59601IRZ-T7A	ISL59603IRZ-T7	ISL59604IRZ-T7A	
ISL59602IRZ	ISL59603IRZ-T7A	ISL59605IRZ	
ISL59602IRZ-T7	ISL59603IRZ-T7S2756	ISL59605IRZ-T7	

There have been no changes made to the die/silicon or device itself. There will be no change in external marking of the packaged parts.

Intersil will take all necessary actions to conform to agreed upon customer requirements and to ensure the continued high quality and reliability of Intersil products being supplied. Customers may expect to continue receiving product processed to the same established conditions and systems used for manufacturing of material supplied today.

If you have concerns with this advisory, Intersil must hear from you promptly. Please contact the nearest Intersil Sales Office or call the Intersil Corporate line at 1-888-468-3774, in the United States, or 1-321-724-7143 outside of the United States.

Regards,



Jon Brewster
Intersil Corporation

PA12072

CC: J. Touvell N. Mostafavi D. Nguyen H. Babcock

PA12072 - Data Sheet Updates

- Figure 45 - Application Circuit for UTP Cable (Page 20):

Change From:

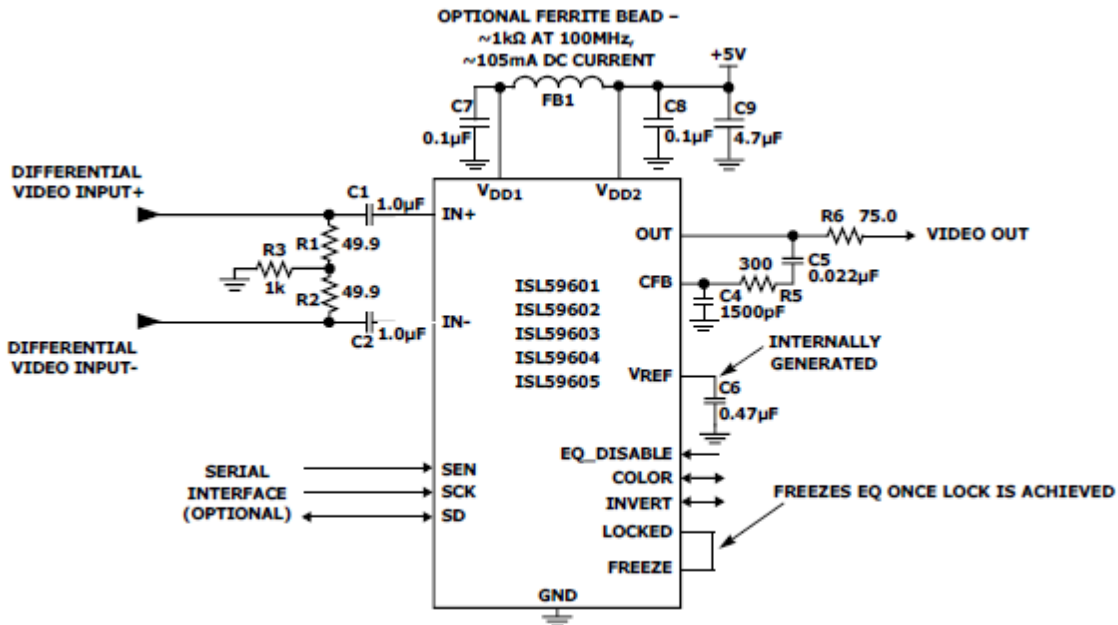


FIGURE 45. APPLICATION CIRCUIT FOR UTP CABLE

Change To:

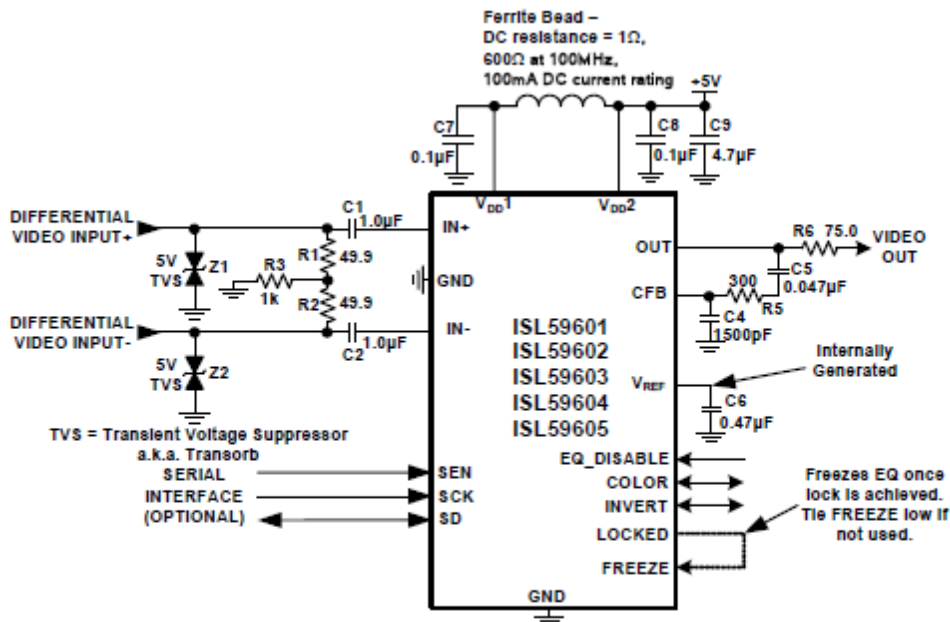


FIGURE 45. APPLICATION CIRCUIT FOR UTP CABLE

PA12072 – Data Sheet Updates

- [Figure 46 – Application Circuit for COAX Cable \(Page 21\):](#)

Change From:

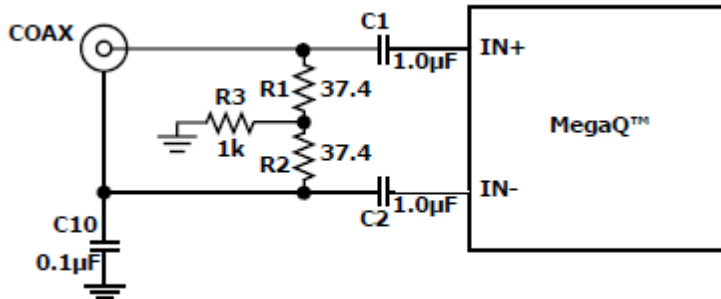
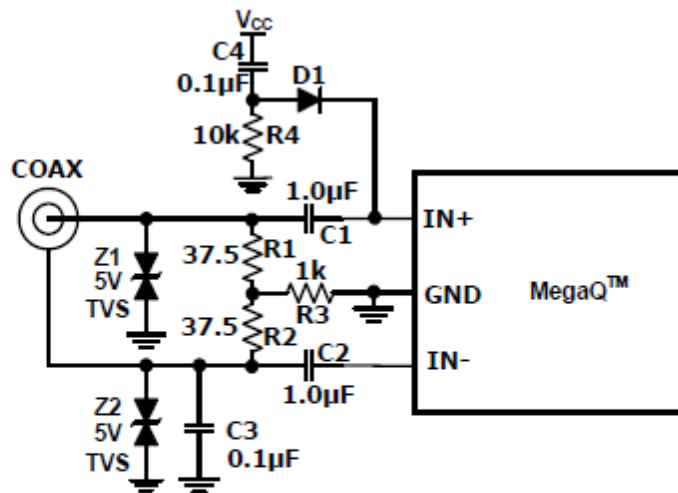


FIGURE 46. APPLICATION CIRCUIT FOR COAX CABLE

Change To:



TVS = Transient Voltage Suppressor
a.k.a. Transorb

FIGURE 46. APPLICATION CIRCUIT FOR COAX CABLE

PA12072 – Data Sheet Updates

- [Figure 47 – Application Circuit for UTP/COAX Cable \(Page 21\):](#)

Change From:

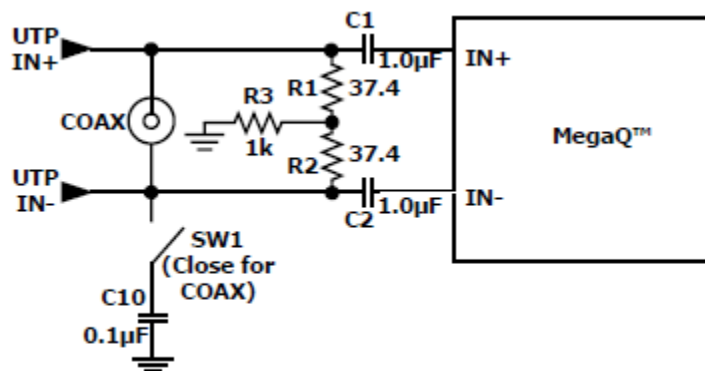


FIGURE 47. APPLICATION CIRCUIT FOR COAX CABLE

Change To:

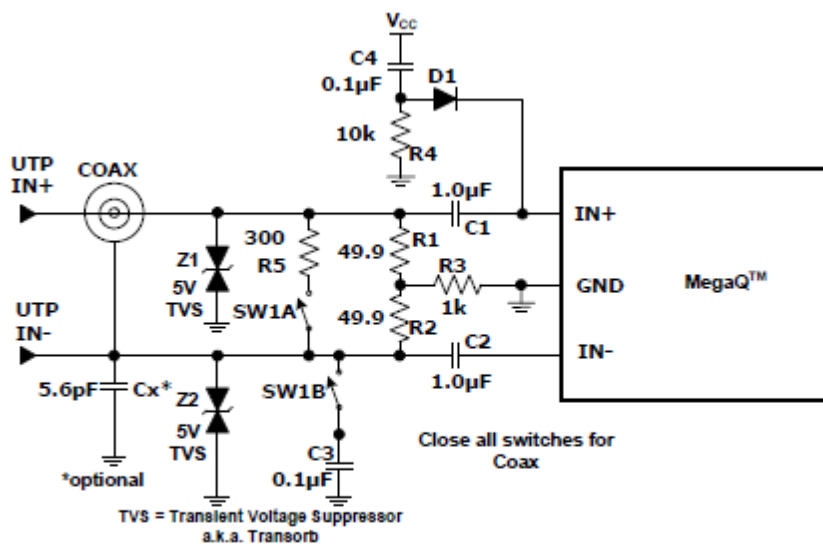


FIGURE 47. APPLICATION CIRCUIT FOR UTP/COAX CABLE