



Integrated Device Technology, Inc.
2975 Stender Way, Santa Clara, CA - 95054

PRODUCT/PROCESS CHANGE NOTICE (PCN)

PCN #: SR-0210-03 DATE: 27 Oct 2002 Product Affected: TSOP (PH44) product in Trays Date Effective: 27 Jan 2003	MEANS OF DISTINGUISHING CHANGED DEVICES: <input type="checkbox"/> Product Mark <input type="checkbox"/> Back Mark <input type="checkbox"/> Date Code Tray manufacturer changed <input checked="" type="checkbox"/> Other From " Kostat " To " Daewon "
---	---

Contact: Geoffrey Cortes Title: Manager, Corporate Quality & Reliability Phone #: (408) 492-8321 Fax #: (408) 727-2328 E-mail: Geoffrey.Cortes@idt.com	Attachment:: <input checked="" type="checkbox"/> Yes <input type="checkbox"/> No Samples: Contact the local IDT sales representative
--	---

DESCRIPTION AND PURPOSE OF CHANGE:

Die Technology To change the shipping quantity for TSOP (PH44) product in trays. Trays are compliant to JEDEC 95 standards. Tray size (outside dimensions) will remain same.
 Wafer Fabrication Process
 Assembly Process
 Equipment
 Material
 Testing
 Manufacturing Site
 Data Sheet
 Other - Shipping Tray

Description	Current Tray	New Tray
Drawing Number	MSC-1448	MSC-1738
Quantity per Tray	135	96
Pocket Size	13.67mm x 20.42mm	15.16 x 25.50mm
Tray Matrix (Qty.)	9x15	8x12

RELIABILITY/QUALIFICATION SUMMARY:

There is no change to the product reliability.

CUSTOMER ACKNOWLEDGMENT OF RECEIPT:

IDT records indicate that you require written notification of this change. Please use the acknowledgement below or E-Mail to grant approval or request additional information. If IDT does not receive acknowledgement within 30 days of this notice it will be assumed that this change is acceptable.

IDT reserves the right to ship either version manufactured after the process change effective date until the inventory on the earlier version has been depleted.

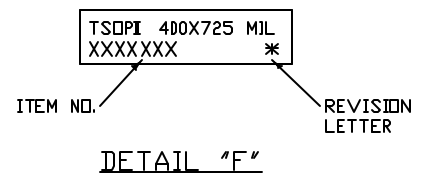
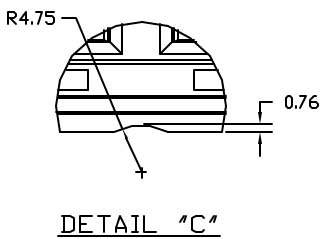
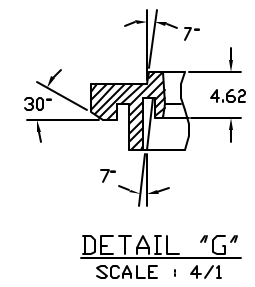
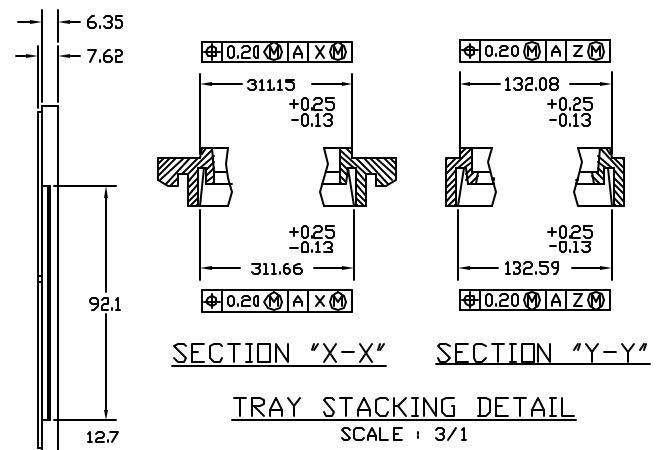
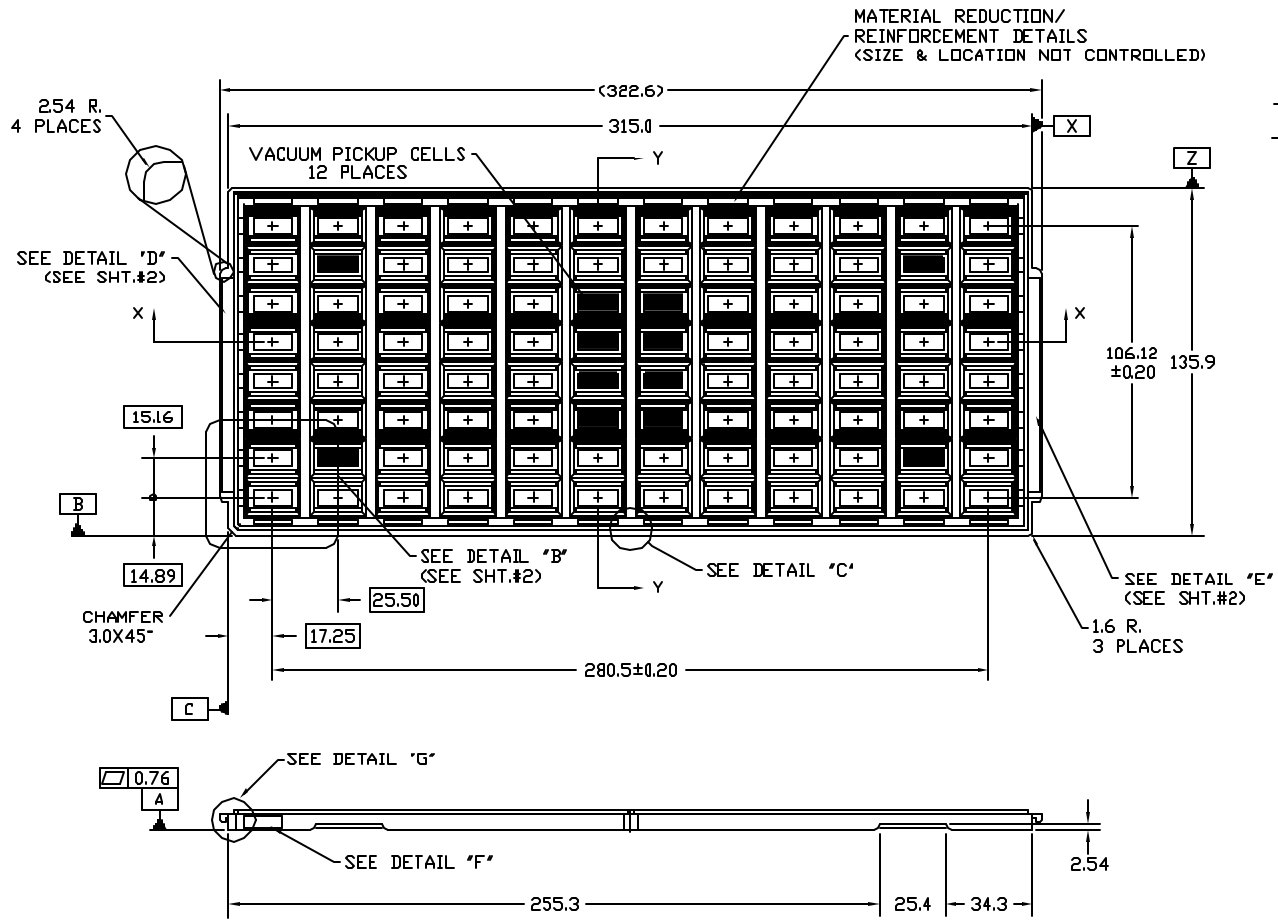
Customer: _____	<input type="checkbox"/> Approval for shipments prior to effective date.
Name/Date: _____	E-Mail Address: _____
Title: _____	Phone# /Fax# : _____

CUSTOMER COMMENTS: _____


IDT ACKNOWLEDGMENT OF RECEIPT:

RECD. BY: _____ DATE: _____

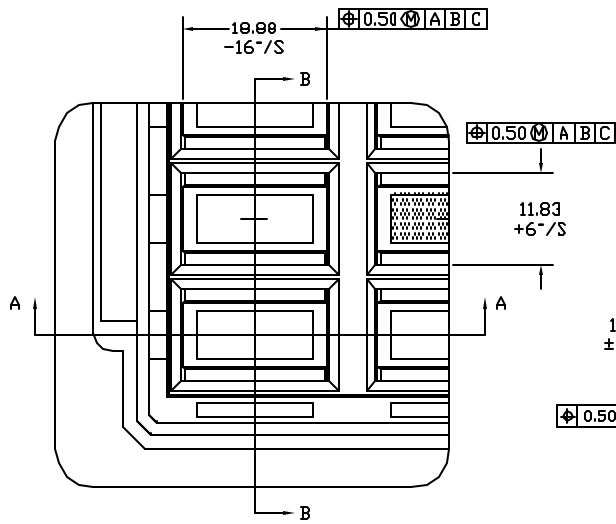
REVISIONS			
REV	DESCRIPTION	DATE	APPROVED
00	INITIAL RELEASE	30/AUG/02	DW/G. LUU



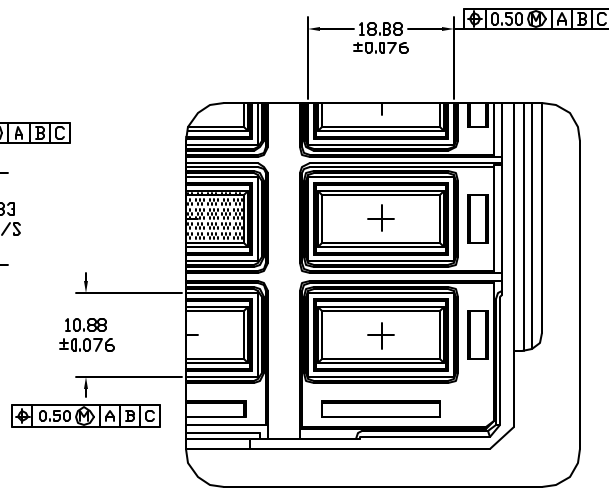
- NOTES: (UNLESS OTHERWISE SPECIFIED)
1. MATERIAL: PES (BLACK).
 2. ALL DIMENSIONS ARE IN mm.
 3. TEMPERATURE: 180°C MAX
 4. ESD SURFACE RESISTIVITY: 10⁸ TO 10¹⁰
 5. DAEWON PART NUMBER: 124-4725-111
 6. DAEWON REVISION: A

TOLERANCES UNLESS OTHERWISE SPECIFIED		 Integrated Device Technology, Inc 2972 Stender Wy, Santa Clara, CA 95054 (408) 727-6116 FAX (408) 492-8512	SCALE
DECIMAL	ANGLE		N/A
.X ±.25	±.5°		
.XX ±.13			SIZE
.XXX ±.13			B
APPROVALS	DATE	PH 44 SHIPPING TRAY (400X725MIL)	STOCK NO.
DRAWN <i>dl</i>	30/AUG/02		P7-159-000
CHECKED		DRAWING NO.	REV
		MSC-1738	00
FILE: NSC17281		DO NOT SCALE DRAWING	SHEET 1 OF 2

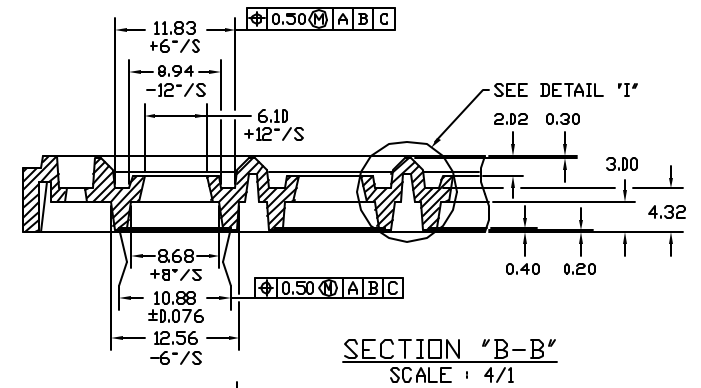
REVISIONS			
REV	DESCRIPTION	DATE	APPROVED
00	INITIAL RELEASE	30/Aug/02	DW/Q. LUU



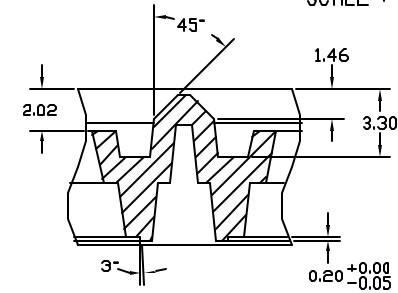
TOP VIEW
DETAIL "B"
SCALE : 3/1
(FROM SHT.#1)



BOTTOM VIEW
DETAIL "B"
SCALE : 3/1
(FROM SHT.#1)



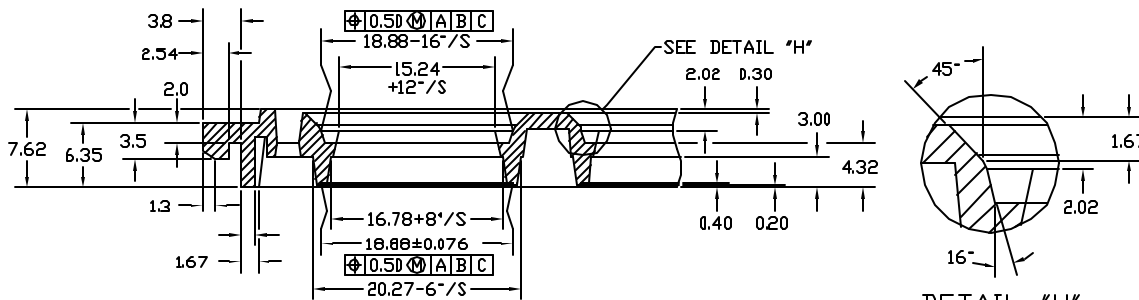
SECTION "B-B"
SCALE : 4/1



DETAIL "I"
SCALE : 8/1

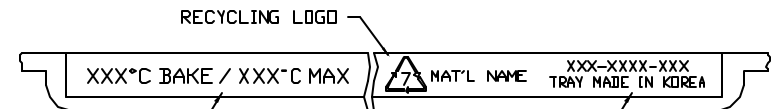


DETAIL "D"
(FROM SHT.#1)



SECTION "A-A"
SCALE : 4/1

DETAIL "H"
SCALE : 10/1



TEMPERATURE RATING BLOCK

DAEWON PART NO.

DETAIL "E"
(FROM SHT.#1)

TOLERANCES UNLESS OTHERWISE SPECIFIED
DECIMAL ANGLE
.X ±.25 ±.5°
.XX ±.13
.XXX ±.13



Integrated Device Technology, Inc
2972 Stander WY, Santa Clara, CA 95054
(408) 727-6116 FAX (408) 492-8512

APPROVALS DATE
DRAWN *dl* 30/Aug/02
CHECKED

SCALE N/A
SIZE B
PH 44 SHIPPING TRAY
(400X725MIL)

STOCK NO. P7-159-000
DRAWING NO. MSC-1738
REV 00

FILE: NSC17382

DO NOT SCALE DRAWING SHEET 2 OF 2