



Integrated Device Technology, Inc.
6024 Silver Creek Valley Road, San Jose, CA 95138

PRODUCT/PROCESS CHANGE NOTICE (PCN)

PCN #: **TB0812-05** DATE: **1/27/2009**
 Product Affected: **7 mm x 7 mm TQFP-48 shipped in tray**
 Date Effective: **4/27/2009**

MEANS OF DISTINGUISHING CHANGED DEVICES:
 Product Mark
 Back Mark
 Date Code
 Other Supplier part# on side of tray

Contact: **Bimla Paul**
 Title: **Product Quality Assurance**
 Phone #: **(408) 574-6419**
 Fax #: **(408) 284-8362**
 E-mail: Bimla.Paul@idt.com

Attachment: Yes No
 Samples: **N/A**

DESCRIPTION AND PURPOSE OF CHANGE:

- | | |
|--|---|
| <input type="checkbox"/> Die Technology | This notification is to advise our customers that IDT has added alternate shipping tray for |
| <input type="checkbox"/> Wafer Fabrication Process | 7 mm x 7 mm TQFP-48 of PCA products shipped from IDT Malaysia. |
| <input type="checkbox"/> Assembly Process | |
| <input type="checkbox"/> Equipment | There are no changes in number of units per tray and tray's row /column pitch dimensions. |
| <input type="checkbox"/> Material | Hence, customer may receive shipments consist of both the existing shipping trays and |
| <input type="checkbox"/> Testing | alternate shipping trays. |
| <input type="checkbox"/> Manufacturing Site | Attachment I details the change. |
| <input type="checkbox"/> Data Sheet | Attachment II provides a list of affected products. |
| <input checked="" type="checkbox"/> Other - Packing Material | Attachment III provides the existing and new tray drawings. |

RELIABILITY/QUALIFICATION SUMMARY:

The new trays have passed IDT qualification. Please see Attachment I for the qualification results.

CUSTOMER ACKNOWLEDGMENT OF RECEIPT:

IDT records indicate that you require written notification of this change. Please use the acknowledgement below or E-Mail to grant approval or request additional information. If IDT does not receive acknowledgement within 30 days of this notice it will be assumed that this change is acceptable.
 IDT reserves the right to ship either version manufactured after the process change effective date until the inventory on the earlier version has been depleted.

Customer: _____ **Approval for shipments prior to effective date.**
 Name/Date: _____ E-Mail Address: _____
 Title: _____ Phone # /Fax #: _____

CUSTOMER COMMENTS: _____

IDT ACKNOWLEDGMENT OF RECEIPT:

RECD. BY: _____ DATE: _____



Integrated Device Technology, Inc.
6024 Silver Creek Valley Road, San Jose, CA 95138

PRODUCT/PROCESS CHANGE NOTICE (PCN)

ATTACHMENT I - PCN #: TB0812-05

PCN Type: Packing Material

Data Sheet Change: None

Detail of Change: This notification is to advise our customers that IDT has added alternate shipping tray for 7 mm x 7 mm TQFP-48 of PCA products shipped from IDT Malaysia.

There will be no changes in number of units per tray and tray's row /column pitch dimensions. Hence, customer may receive shipments consist of both the existing shipping trays and alternate shipping trays.

The new shipping trays have passed IDT's internal qualification requirements.

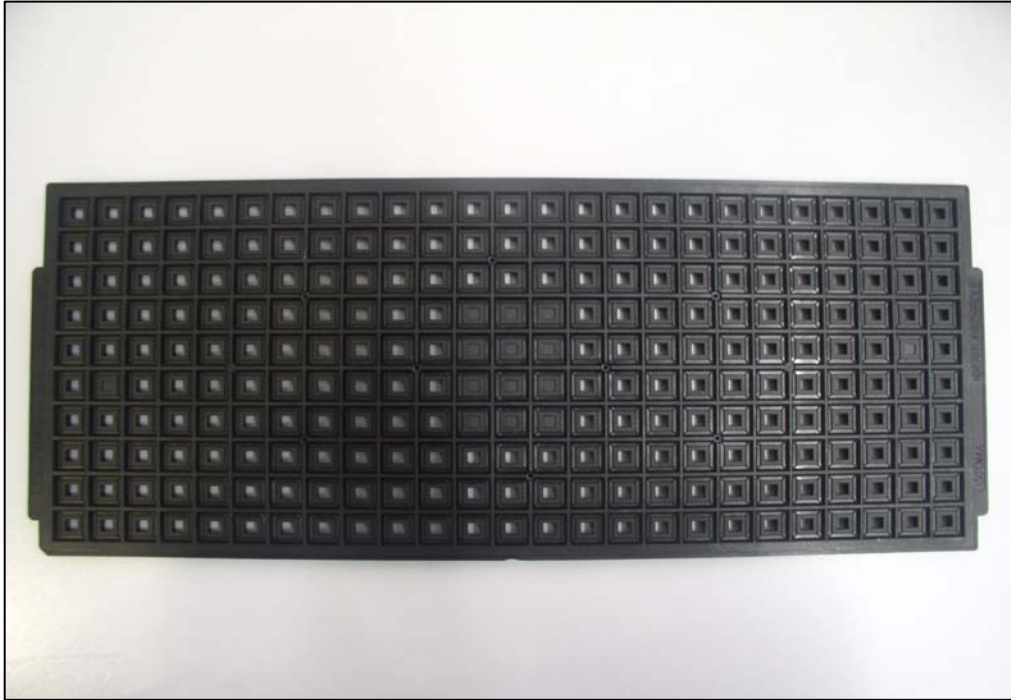
Description	Existing Shipping Tray	Alternate Shipping Tray
Supplier	Peak	HLS
Supplier Part Number	ND07071.4 1025 6 Rev B	QFP 07071410253
Tray Matrix	10 X 25	10 X 25
Qty per Tray	250 units	250 units
Rating Temperature	150°C	150°C
Tray Material	PP6	PSU
Pocket Size (WxL)	6.92 X 6.92 +/- 0.04 mm	6.89 X 6.89 + 0.05/-0.03 mm
Row Pitch	12.60 mm	12.60 mm
Column Pitch	12.20 mm	12.20 mm
Tray Drawing Number	MSC-5798	MSC-4798



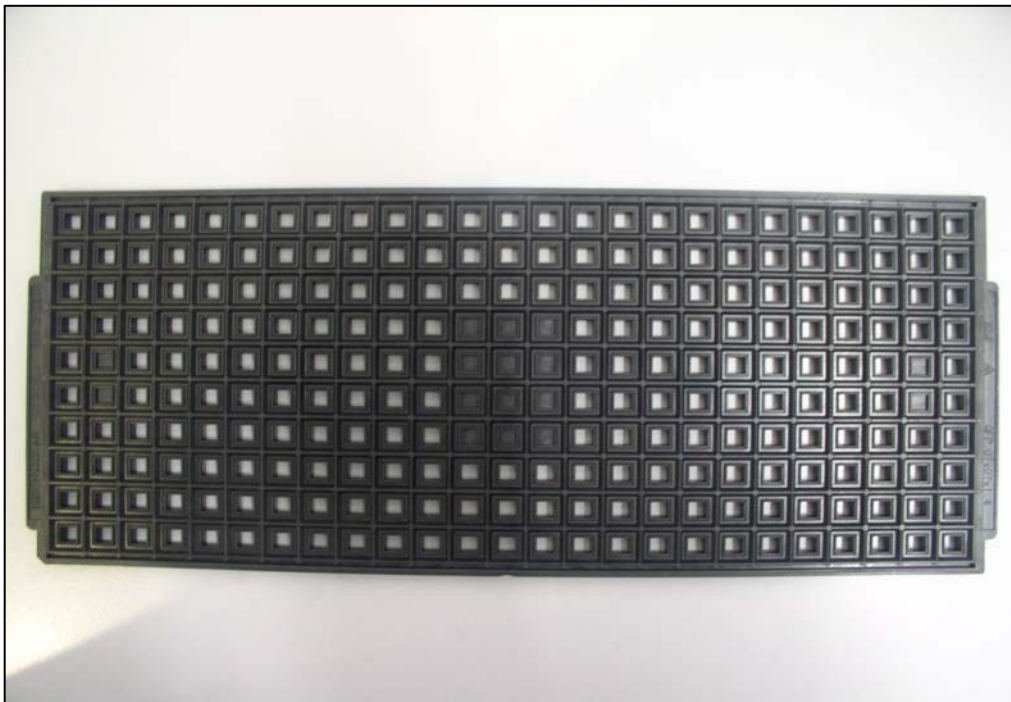
Integrated Device Technology, Inc.
6024 Silver Creek Valley Road, San Jose, CA 95138

PRODUCT/PROCESS CHANGE NOTICE (PCN)

ATTACHMENT I - PCN #: TB0812-05



Existing Shipping Tray - Peak



Alternate Shipping Tray - HLS



Integrated Device Technology, Inc.
6024 Silver Creek Valley Road, San Jose, CA 95138

PRODUCT/PROCESS CHANGE NOTICE (PCN)

ATTACHMENT I - PCN #: TB0812-05

Qualification Plan #: BC04-07-01

Qualification Test Plan and Result:

Qualification Test and Conditions	Reject / Sample Size	Result
6 Feet Drop Test (6 drops, 1 drop per side @ standard packing)	0/4 trays (1000 units)	Pass
Manufacturability (IC Fitting, Trim & Form Machine, Vision System, Test Handler)	0/5 trays	Pass
Visual/Mechanical (Chip, crack, pit, incomplete fill, contamination, burr on tray pocket)	0/5 trays	Pass
Static Electricity Test (100 volts max)	0/5 trays	Pass
Surface Resistivity Test (1×10^5 to 1×10^{11} ohms per sq)	0/5 trays	Pass
Dimensional (critical dimensions based on drawing)	0/5 trays	Pass
Bake Test (135°C@24 hours, bundled and singulated methods)	0/8 trays	Pass



Integrated Device Technology, Inc.
6024 Silver Creek Valley Road, San Jose, CA 95138

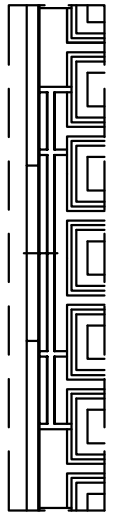
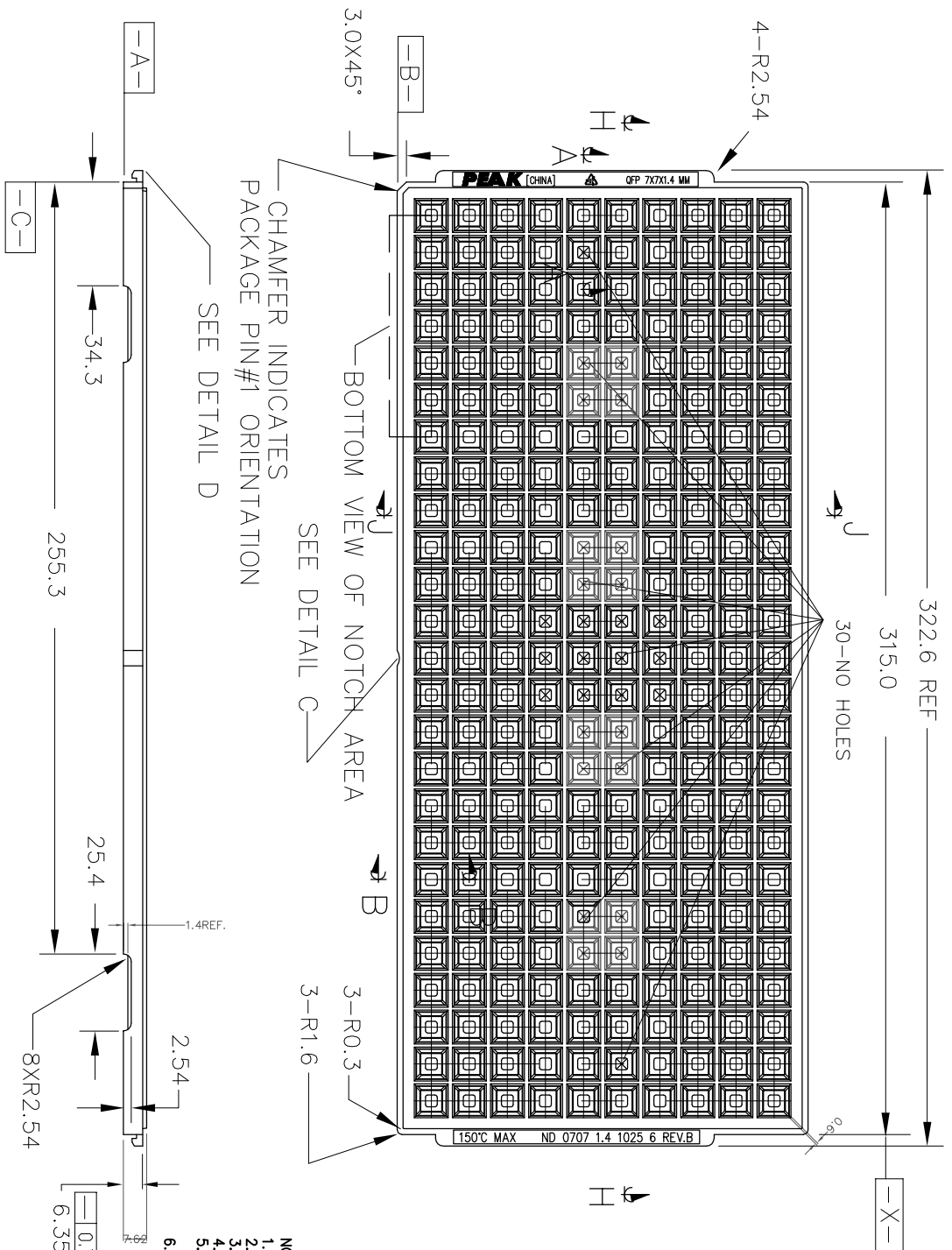
PRODUCT/PROCESS CHANGE NOTICE (PCN)

ATTACHMENT II - PCN #: TB0812-05

Affected Part Number

IDT Part Number	IDT Part Number	IDT Part Number	IDT Part Number
92HD001XX3PRGXB1X	STAC9202X5TAEA1X	STAC9229D5TAEA2X	STAC9272D3TAEB2X
92HD001XX5PRGXB1X	STAC9204D3TAEB1X	STAC9229D5TAEB1X	STAC9272D3TAEB4X
92HD005DX3PRGXB2X	STAC9204D3TAEB2X	STAC9229D5TAEB2X	STAC9272D5TAEA2X
92HD005DX5PRGXB2X	STAC9204D5TAEB1X	STAC9229D5TAEB4X	STAC9272D5TAEB1X
92HD005XX3PRGXB2X	STAC9204D5TAEB2X	STAC9229X3TAEA2X	STAC9272D5TAEB2X
92HD005XX5PRGXB2X	STAC9204X3TAEB1X	STAC9229X3TAEB1X	STAC9272D5TAEB4X
92HD202XX5PRGXA6X	STAC9204X3TAEB2X	STAC9229X3TAEB2X	STAC9272X3TAEA2X
92HD206DX5PRGXB4X	STAC9204X5TAEB1X	STAC9229X3TAEB4X	STAC9272X3TAEB1X
92HD206XX5PRGXB4X	STAC9204X5TAEB2X	STAC9229X5TAEA2X	STAC9272X3TAEB2X
92HD700DX5PRGXB4X	STAC9205D3TAEB1X	STAC9229X5TAEB1X	STAC9272X3TAEB4X
92HD700XX5PRGXB4X	STAC9205D3TAEB2X	STAC9229X5TAEB2X	STAC9272X5TAEA2X
92HD71B5X3PRGXB3X	STAC9205D5TAEB1X	STAC9229X5TAEB4X	STAC9272X5TAEB1X
92HD71B5X5PRGXB1X	STAC9205D5TAEB2X	STAC9230D5TAEA2X	STAC9272X5TAEB2X
92HD71B5X5PRGXB3X	STAC9205X3TAEB1X	STAC9230D5TAEB1X	STAC9272X5TAEB4X
92HD71B6X3PRGXA1X	STAC9205X3TAEB2X	STAC9230D5TAEB2X	STAC9273D5TAEA2X
92HD71B6X5PRGXA1X	STAC9205X5TAEB1X	STAC9230D5TAEB4X	STAC9273D5TAEB1X
92HD71B7X3PRGXB3X	STAC9205X5TAEB2X	STAC9230X5TAEA2X	STAC9273D5TAEB2X
92HD71B7X5PRGXB1X	STAC9220X3TAEA6X	STAC9230X5TAEB1X	STAC9273D5TAEB4X
92HD71B7X5PRGXB3X	STAC9220X5TAEA6X	STAC9230X5TAEB2X	STAC9273X5TAEA2X
92HD71B8X3PRGXA1X	STAC9227D3TAEB1X	STAC9230X5TAEB4X	STAC9273X5TAEB1X
92HD71B8X3PRGXB2X	STAC9227D3TAEB2X	STAC9250G3TAEA1X	STAC9273X5TAEB2X
92HD71B8X3PRGXB3X	STAC9227D5TAEB1X	STAC9250G5TAEA1X	STAC9273X5TAEB4X
92HD71B8X5PRGXB3X	STAC9227D5TAEB2X	STAC9250H3TAEA1X	STAC9274D5TAEA2X
92HD73C1X5PRGXB2X	STAC9227X3TAEA2X	STAC9250H5TAEA1X	STAC9274D5TAEB1X
92HD73C1X5PRGXC1X	STAC9227X3TAEB1X	STAC9251G3TAEA1X	STAC9274D5TAEB2X
92HD73D1X5PRGXB2X	STAC9227X3TAEB2X	STAC9251G5TAEA1X	STAC9274D5TAEB4X
92HD73D1X5PRGXC1X	STAC9227X3TAEB4X	STAC9251H3TAEA1X	STAC9274X5TAEA2X
92HD73E1X5PRGXB2X	STAC9227X5TAEA2X	STAC9251H5TAEA1X	STAC9274X5TAEB1X
92HD73E1X5PRGXC1X	STAC9227X5TAEB1X	STAC9254G3TAEA1X	STAC9274X5TAEB2X
92HDW74C15PRGXB2X	STAC9227X5TAEB4X	STAC9254G5TAEA1X	STAC9274X5TAEB4X
92HDW74C15PRGXC1X	STAC9228D3TAEA2X	STAC9254H3TAEA1X	STAC9750XXTAEC1X
92HDW74C25PRGXB2X	STAC9228D3TAEB1X	STAC9254H5TAEA1X	STAC9751XXTAEC1X
92HDW74C25PRGXC1X	STAC9228D3TAEB4X	STAC9255G3TAEA1X	STAC9752AXTAED1X
92HDW74D15PRGXB2X	STAC9228D5TAEB1X	STAC9255G5TAEA1X	STAC9752XXTAEB2X
92HDW74D15PRGXC1X	STAC9228D5TAEB2X	STAC9255H3TAEA1X	STAC9753AXTAED1X
92HDW74E15PRGXB2X	STAC9228D5TAEB4X	STAC9255H5TAEA1X	STAC9753XXTAEB2X
92HDW74E15PRGXC1X	STAC9228X3TAEA2X	STAC9271D5TAEA2X	STAC9758XXTAEB1X
92HP61B7X5PRGXB3X	STAC9228X3TAEB1X	STAC9271D5TAEB1X	STAC9759XXTAEB1X
CXD9872ARDTAEC3X	STAC9228X3TAEB4X	STAC9271D5TAEB2X	STAC9766XXTAEC1X
CXD9872ARXTAEC3X	STAC9228X5TAEA2X	STAC9271D5TAEB4X	STAC9767XXTAEC1X
EMP202	STAC9228X5TAEB1X	STAC9271X5TAEA2X	STAC9770XXTAEB2X
ST119220X5TAEA4X	STAC9228X5TAEB4X	STAC9271X5TAEB1X	STAC9771XXTAEB2X
ST119220X5TAEA6X	STAC9229D3TAEA2X	STAC9271X5TAEB2X	STAC9772XXTAEB2X
STAC9200X3TAEB1X	STAC9229D3TAEB1X	STAC9271X5TAEB4X	
STAC9200X5TAEB1X	STAC9229D3TAEB2X	STAC9272D3TAEA2X	
STAC9202X3TAEA1X	STAC9229D3TAEB4X	STAC9272D3TAEB1X	

REVISIONS			
REV	DESCRIPTION	DATE	APPROVED
00	INITIAL RELEASE	10/09/08	KK Thee



BOTTOM VIEW OF NOTCH AREA

- NOTES : (UNLESS OTHERWISE SPECIFIED)
1. MATERIAL : PP6 (BLACK)
 2. ALL DIMENSIONS ARE IN mm.
 3. TEMPERATURE : 150°C MAX
 4. ESD SURFACE RESISTIVITY SHALL CONFORM TO IDT SPEC MSA-3032.
 5. PEAK PART NUMBER : BLACK TRAY : ND 07071.4 10256 Rev B
RED TRAY : ND 07071.4 10251 Rev B
 6. NUMBER OF POCKETS : 10 X 25 = 250 POCKETS

TOLERANCES UNLESS OTHERWISE SPECIFIED
 DECIMAL .25
 .XX ±.13
 .XXX ±.13
 ANGLE ±.5°

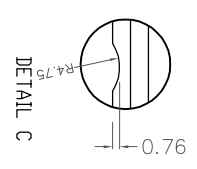
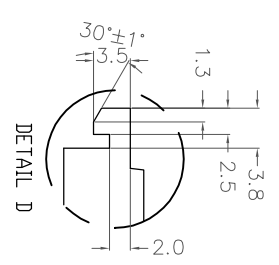
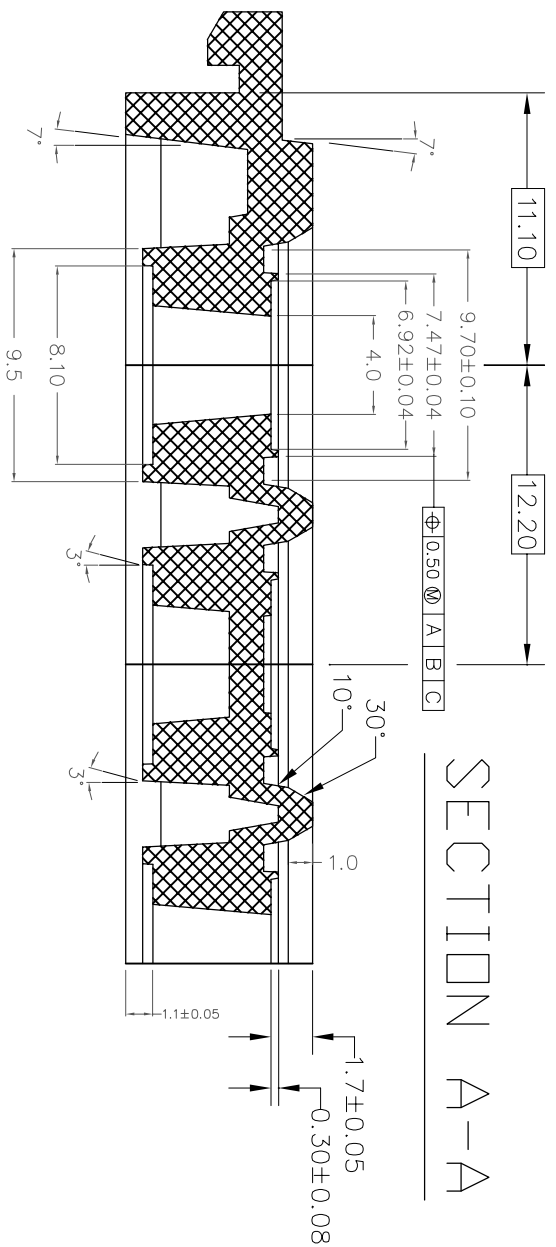
www.IDT.com

IDT

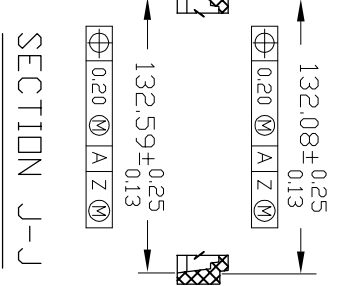
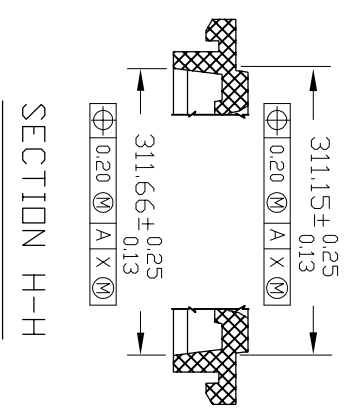
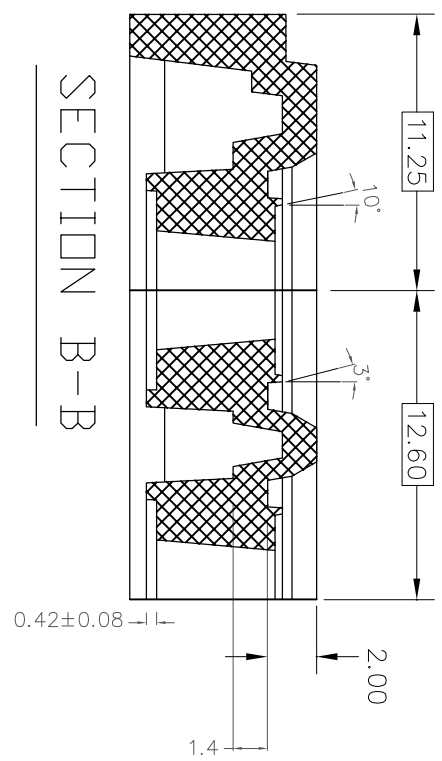
6024 Silver Creek Valley Road
 San Jose, CA 95138
 PHONE: (408) 284-8200
 FAX: (408) 284-3572

TITLE:	DATE	SCALE
ES/ESG 48 & PR/PRG 32/48 SHIPPING TRAY		N/A
STOCK NO.	DRAWING NO.	REV
P7-244-0001MSC-5798		B
FILE: MSC1701	DO NOT SCALE DRAWING	SHEET 1 OF 3

REVISIONS			
REV	DESCRIPTION	DATE	APPROVED
00	INITIAL RELEASE	10/09/08	KK Thee



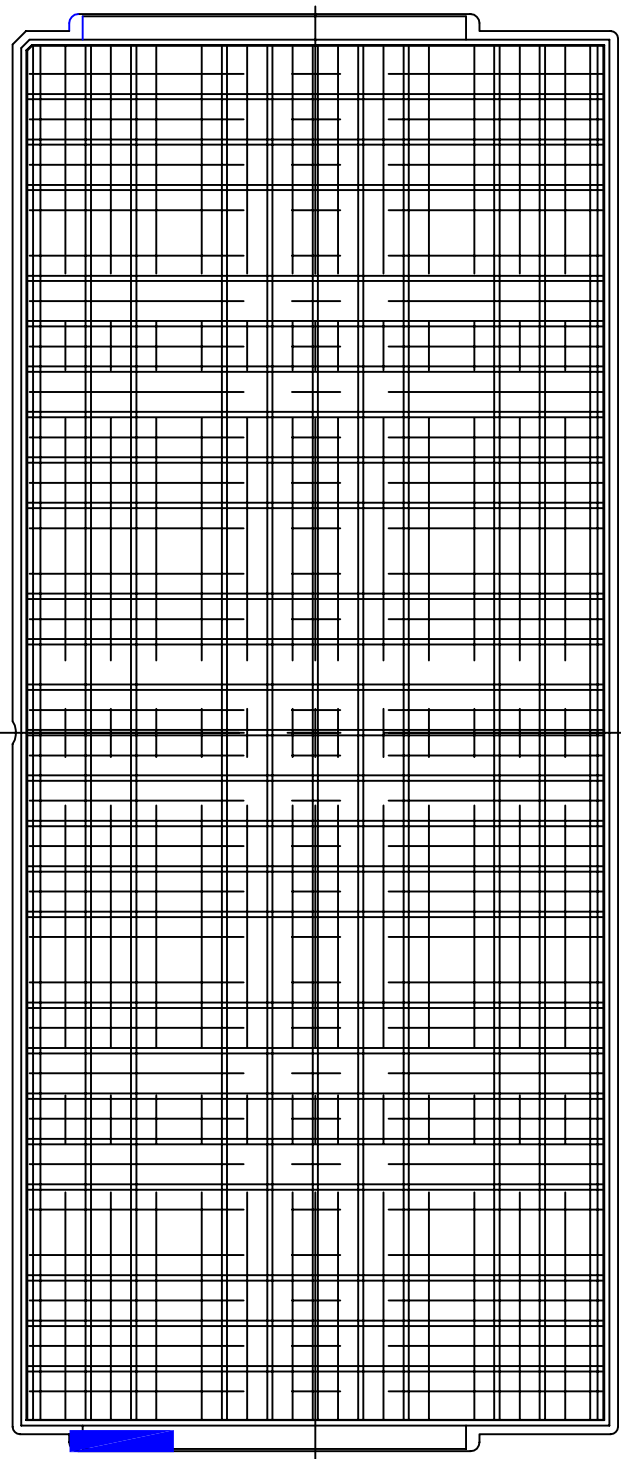
NOTE: SCALLOP IS CENTERED
ON SIDE OF TRAY



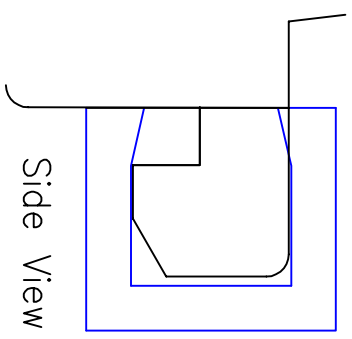
TOLERANCES UNLESS OTHERWISE SPECIFIED		ANGLE ±.5°	
DECIMALS	.XX ±.13		
XX	±.13		
XXX	±.13		
APPROVALS	DATE		
DRAWN			
CHECKED			
TITLE: ES/ESG 48 & PR/PRG 32/48		SCALE N/A	
SHIPPING TRAY		SIZE B	
STOCK NO.	DRAWING NO.	REV	
P7-244-000	MSC-5798	00	
DO NOT SCALE DRAWING		SHEET 2 OF 3	

6024 Silver Creek Valley Road
San Jose, CA 95138
PHONE: (408) 284-8200
FAX: (408) 284-3572
www.IDT.com

REVISIONS			
REV	DESCRIPTION	DATE	APPROVED
00	INITIAL RELEASE	10/09/08	KK Thee



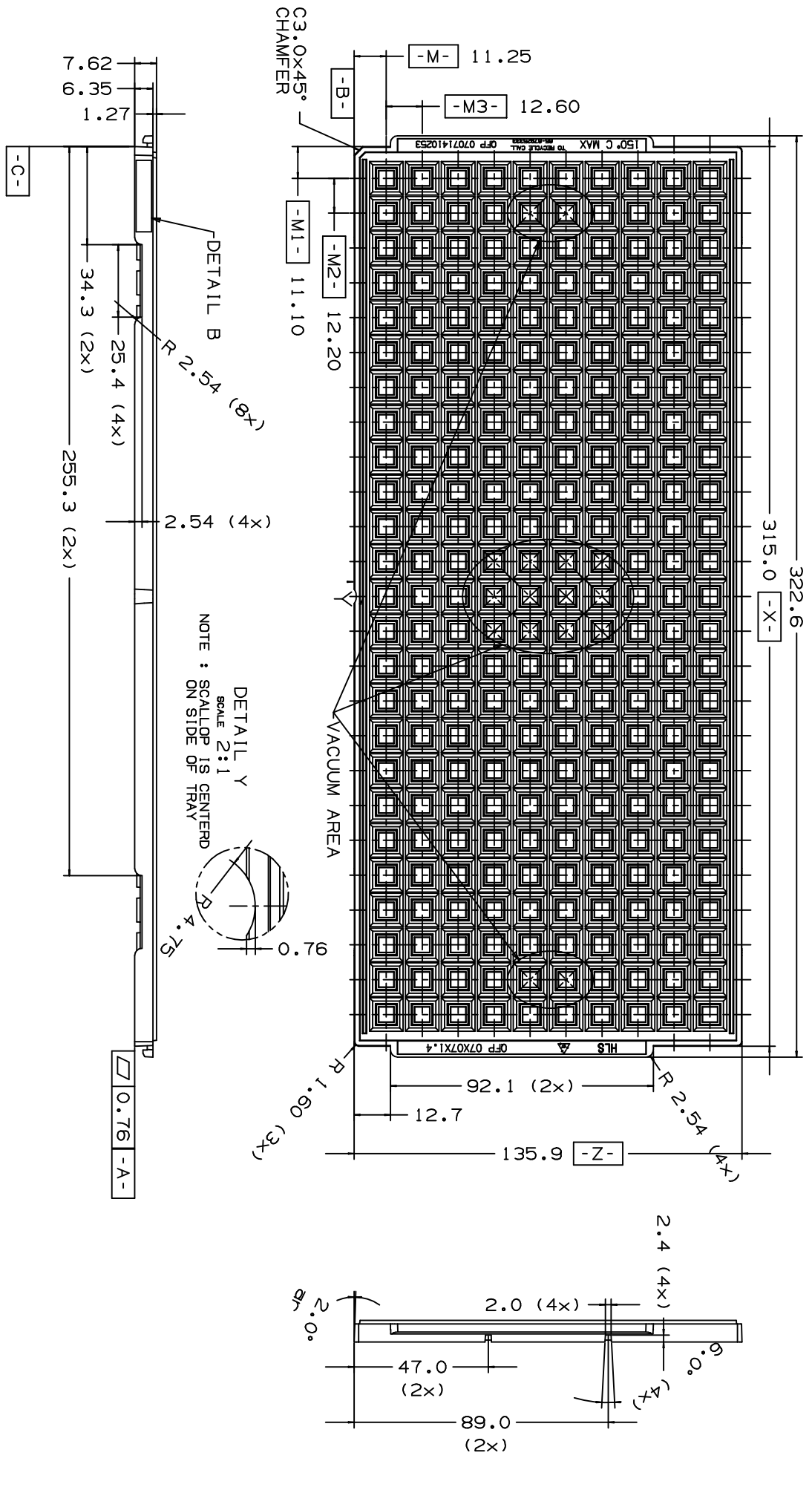
End Clip's Location



- Note 1
1. BLUE color end clip will be placed at the end tab area.
 2. Fresh tray from PEAK will not come with end clip. The end clip will only be placed by IDT internally.

TOLERANCES UNLESS OTHERWISE SPECIFIED		ANGLE ± .5°	
DECIMAL	.X ± .25		
	.XX ± .13		
	.XXX ± .13		
APPROVALS	DATE	www.IDT.com	
DRAWN		6024 Silver Creek Valley Road San Jose, CA 95138 PHONE: (408) 284-8200 FAX: (408) 284-3572	
CHECKED		IDT	
TITLE: ES/ESG 48 & PR/PRG 32/48 SHIPPING TRAY		DRAWING NO. P7-244-000 MSC-5798	
STOCK NO.		REV	
DO NOT SCALE DRAWING		SCALE N/A	
		SIZE B	
		REV 00	
		SHEET 3 OF 3	
FILE: MSC17011			

REVISIONS			
REV	DESCRIPTION	DATE	APPROVED
00	INITIAL RELEASE	04/26/06	KK Thee




QFP 07X07X1.4
QFP 07071410253

DETAIL B

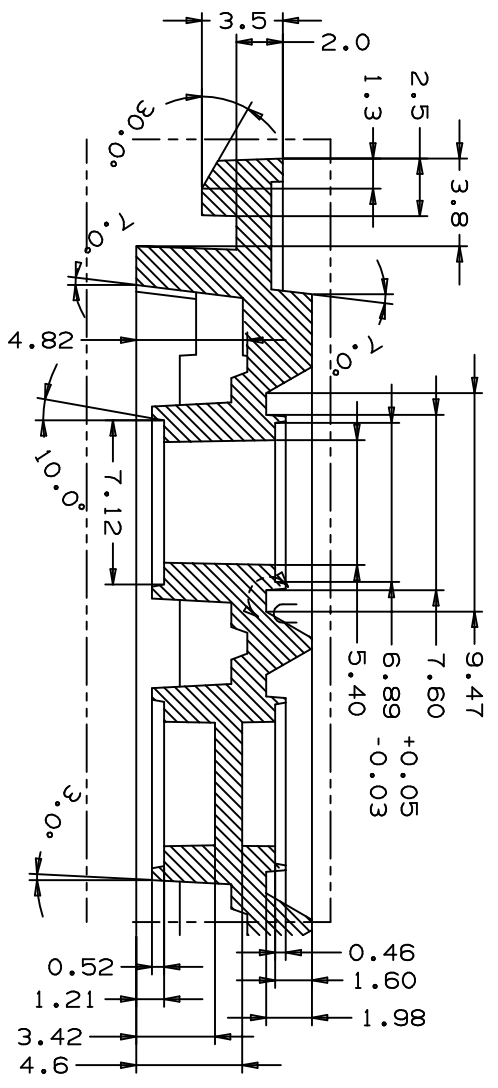
- NOTES: (UNLESS OTHERWISE SPECIFIED)
1. MATERIAL: PSU (BLACK)
 2. ALL DIMENSIONS ARE IN MM.
 3. TEMPERATURE: 150°C MAX
 4. ESD SURFACE RESISTIVITY SHALL CONFORM TO IDT SPEC MSA-3032.
 5. HLS PART NUMBER: BLACK TRAY: QFP 07071410253
RED TRAY: QFP 07071410255
 6. NUMBER OF POCKET: 10 X 25 = 250 POCKETS
 7. TOLERANCE FOR RED TRAY:
- XX = ± 0.5 MM
XXX = ± 0.25 MM
XXXX = ± 0.25 MM

TOLERANCES UNLESS OTHERWISE SPECIFIED		DECIMALS		ANGLE	
XX	±.25	XX	±.13	XXX	±.13
APPROVALS	DATE	www.IDT.com			
DRAWN		TITLE: PR/PRG 32/48 SHIPPING TRAY			
CHECKED		STOCK NO. P7-203-000 MSC-4798			
		DRAWING NO. 00			
		REV B			
FILE: MSC1701		DO NOT SCALE DRAWING SHEET 1 OF 2			

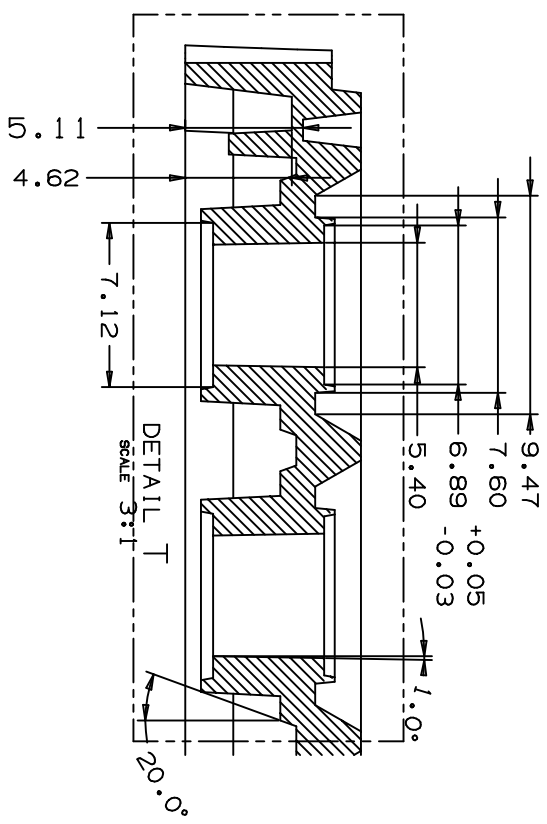


6024 Silver Creek Valley Road
San Jose, CA 95138
PHONE: (408) 284-8200
FAX: (408) 284-3572

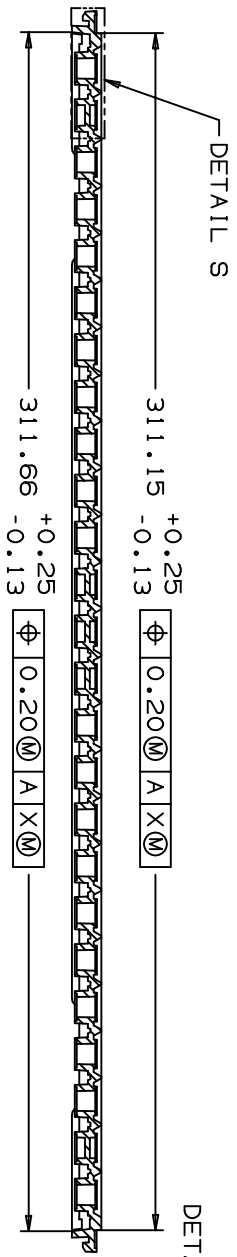
REVISIONS			
REV	DESCRIPTION	DATE	APPROVED
00	INITIAL RELEASE	04/26/06	KK Thee



DETAIL S
SCALE 3:1

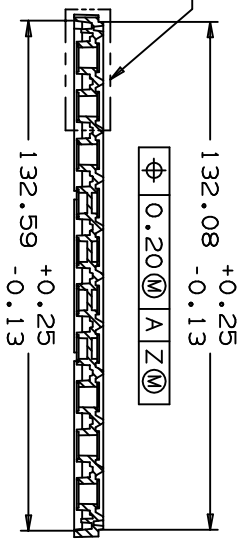


DETAIL T
SCALE 3:1

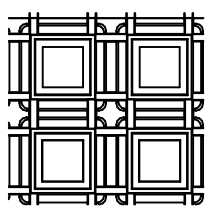


DETAIL S

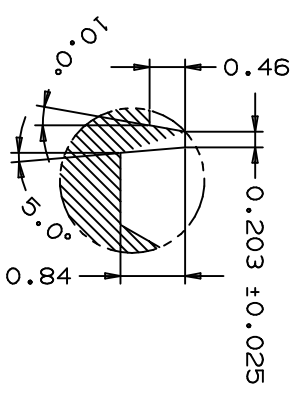
DETAIL T



DETAIL W



DETAIL U
SCALE 10:1



DETAIL V
SCALE 1:2

TOLERANCES UNLESS OTHERWISE SPECIFIED	DECIMALS	ANGLE
.XX	±.25	±.5°
.XXX	±.13	
.XXXX	±.13	



6024 Silver Creek Valley Road
San Jose, CA 95138
PHONE: (408) 284-8200
FAX: (408) 284-3572

WWW.IDT.COM

APPROVALS	DATE	TITLE	SCALE
DRAWN		PR/PRG 32/48	N/A
CHECKED		SHIPPING TRAY	B
STOCK NO.	DRAWING NO.	REV	
P7-203-000	MSC-4798	00	
DO NOT SCALE DRAWING	SHEET 2 OF 2		