



Integrated Device Technology, Inc.
6024 Silver Creek Valley Road, San Jose, CA 95138

PRODUCT/PROCESS CHANGE NOTICE (PCN)

ATTACHMENT I - PCN #: TB0812-03

PCN Type: Packing Material

Data Sheet Change: None

Detail of Change: This notification is to advise our customers that IDT has qualified new shipping trays for 15 mm x 15 mm CABGA-196 & 15 mm x 15 mm CABGA-208.

There will be changes in number of units per tray from 112 to 126 and changes in the tray dimensions.

The new shipping trays have passed IDT's internal qualification requirements.

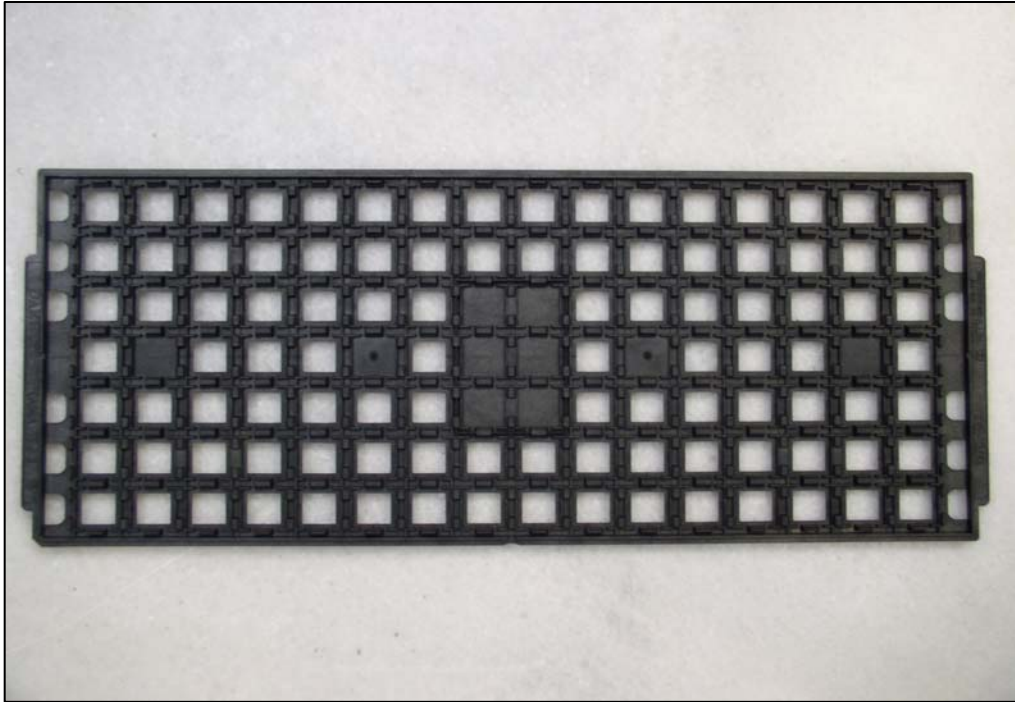
| Description | Existing Shipping Tray | New Shipping Tray |
|----------------------|---------------------------|-----------------------------|
| Supplier | Daewon | Peak |
| Supplier Part Number | 12C-1515-119 Rev A | NH BG1515 1.75 0718 6 Rev C |
| Tray Matrix | 7 X 16 | 7 X 18 |
| Qty per Tray | 112 units | 126 units |
| Rating Temperature | 150°C | 150°C |
| Tray Material | MPPO | PP6 |
| Pocket Size (WxL) | 15.17 X 15.17 +/- 0.08 mm | 15.22 X 15.22 +/- 0.08 mm |
| Row Pitch | 18.20 mm | 17.20 mm |
| Column Pitch | 18.20 mm | 17.20 mm |
| Tray Drawing Number | MSC-1707 | MSC-5801 |



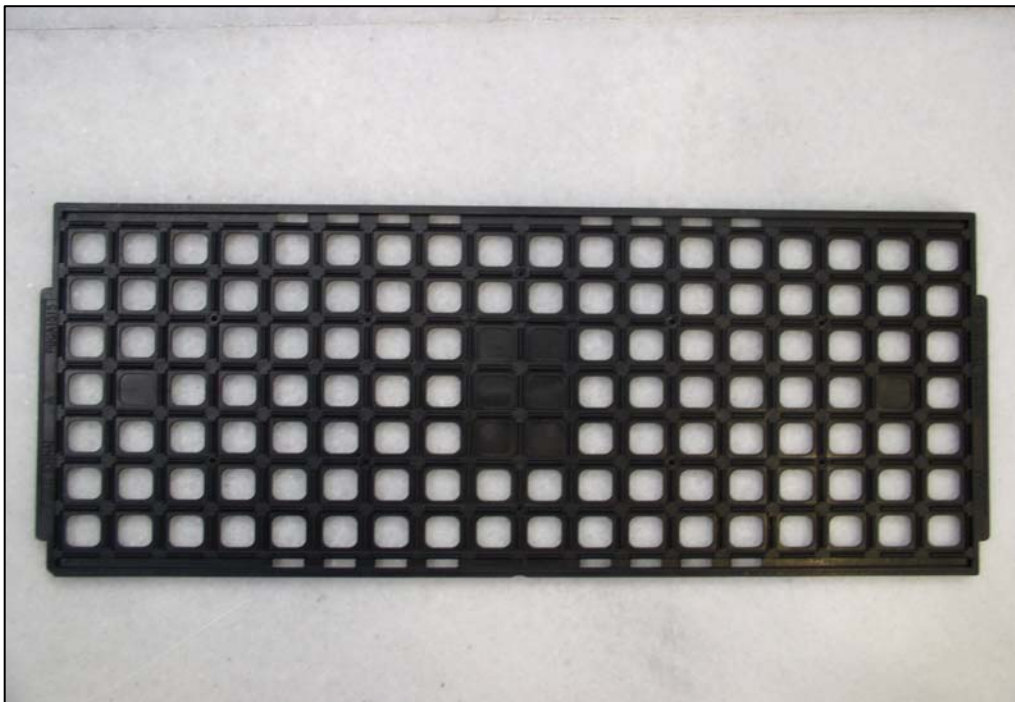
Integrated Device Technology, Inc.
6024 Silver Creek Valley Road, San Jose, CA 95138

PRODUCT/PROCESS CHANGE NOTICE (PCN)

ATTACHMENT I - PCN #: TB0812-03



Existing Shipping Tray



New Shipping Tray



Integrated Device Technology, Inc.
6024 Silver Creek Valley Road, San Jose, CA 95138

PRODUCT/PROCESS CHANGE NOTICE (PCN)

ATTACHMENT I - PCN #: TB0812-03

Qualification Plan #: BC08-12-01

Qualification Test Plan and Result:

| Qualification Test and Conditions | Reject / Sample Size | Result |
|---|-----------------------|--------|
| 5 Feet Drop Test (6 drops, 1 drop per side @ standard packing) | 0/4 trays (504 units) | Pass |
| Manufacturability (IC Fitting, Trim & Form Machine, Vision System, Test Handler) | 0/5 trays | Pass |
| Visual/Mechanical (Chip, crack, pit, incomplete fill, contamination, burr on tray pocket) | 0/5 trays | Pass |
| Static Electricity Test (100 volts max) | 0/5 trays | Pass |
| Surface Resistivity Test (1×10^5 to 1×10^{11} ohms per sq) | 0/5 trays | Pass |
| Dimensional (critical dimensions based on drawing) | 0/5 trays | Pass |
| Bake Test (135°C@24 hours, bundled and singulated methods) | 0/8 trays | Pass |



Integrated Device Technology, Inc.
6024 Silver Creek Valley Road, San Jose, CA 95138

PRODUCT/PROCESS CHANGE NOTICE (PCN)

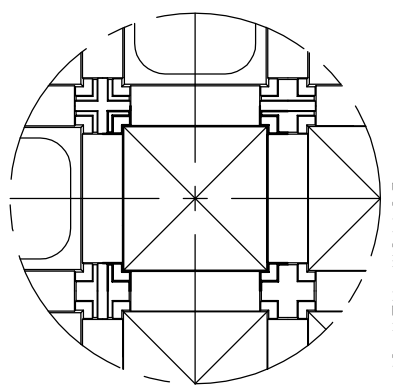
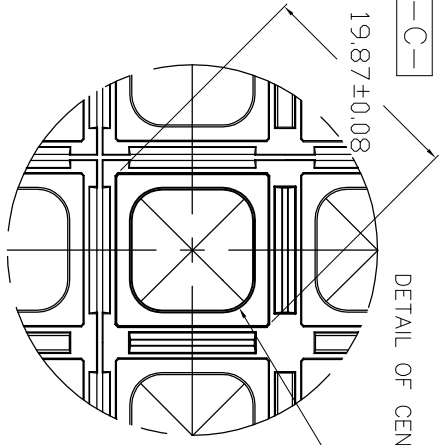
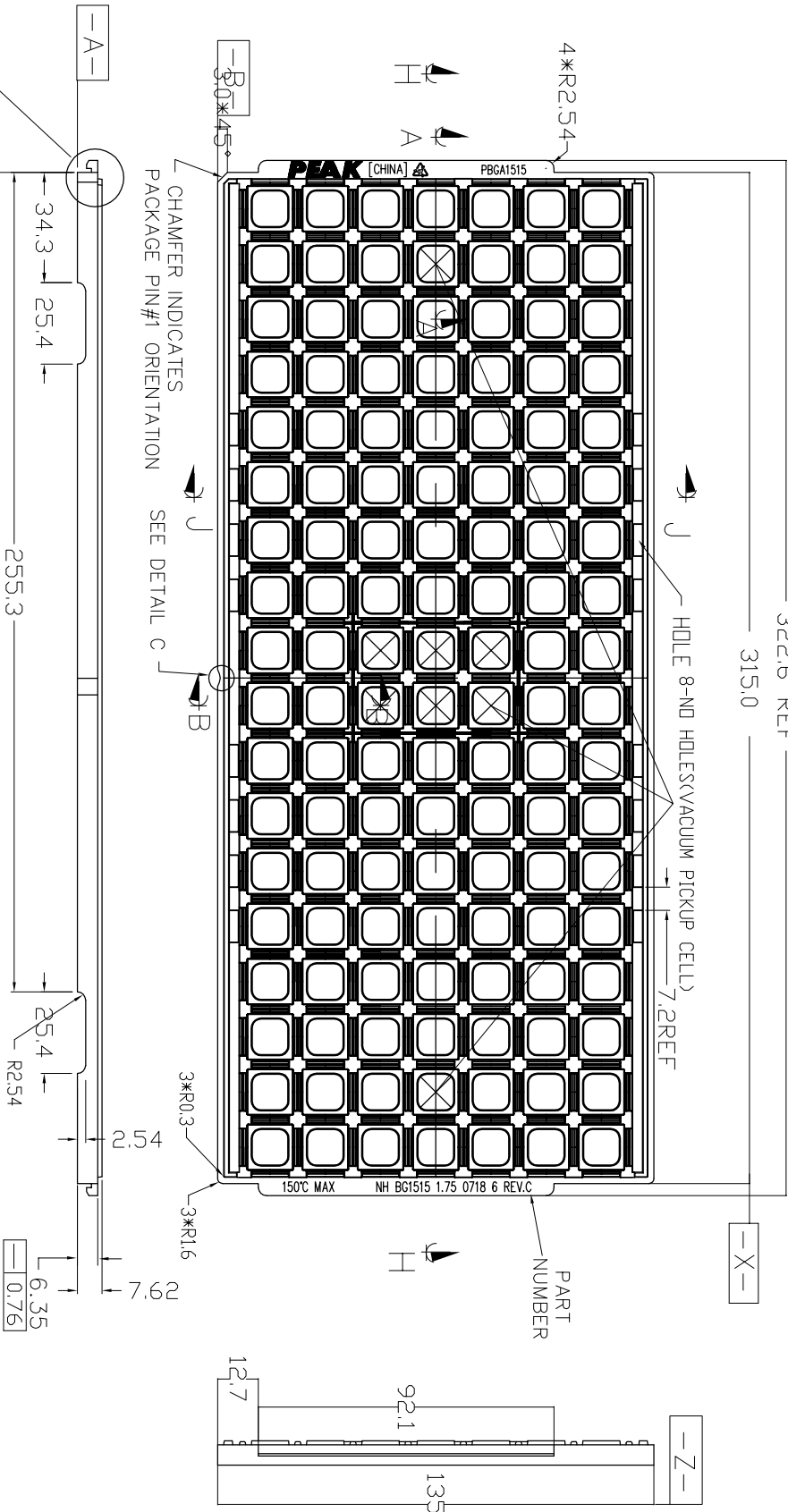
ATTACHMENT II - PCN #: TB0812-03

Affected Part Number

| IDT Part Number | IDT Part Number | IDT Part Number | IDT Part Number |
|--------------------|--------------------|--------------------|--------------------|
| IDT70P3519S166BFG | IDT70T659S10BFGI | IDT70V3579S5BFI | IDT70V659S10BFG |
| IDT70P3519S166BFGI | IDT70T659S10BFI | IDT70V3579S6BF | IDT70V659S12BF |
| IDT70P3519S200BFG | IDT70T659S12BFI | IDT70V3579S6BFI | IDT70V659S12BFG |
| IDT70T3319S133BF | IDT70T659S8BFG | IDT70V3589S133BF | IDT70V659S12BFGI |
| IDT70T3319S133BFGI | IDT70V3319S133BF | IDT70V3589S133BFI | IDT70V659S12BFI |
| IDT70T3319S133BFI | IDT70V3319S133BFGI | IDT70V3589S166BF | IDT70V659S15BF |
| IDT70T3319S166BF | IDT70V3319S133BFI | IDT70V3589S166BFG | IDT70V7319S133BF |
| IDT70T3319S166BFG | IDT70V3319S166BF | IDT70V3599S133BF | IDT70V7319S166BF |
| IDT70T3339S133BF | IDT70V3319S166BFG | IDT70V3599S133BFG | IDT70V7319S200BF |
| IDT70T3339S133BFGI | IDT70V3379S4BF | IDT70V3599S133BFGI | IDT70V7339S133BF |
| IDT70T3339S133BFI | IDT70V3379S5BF | IDT70V3599S133BFI | IDT70V7339S133BFG |
| IDT70T3339S166BF | IDT70V3379S5BFGI | IDT70V3599S166BF | IDT70V7339S133BFI |
| IDT70T3399S133BFI | IDT70V3379S5BFI | IDT70V3599S166BFG | IDT70V7339S166BF |
| IDT70T3519S133BF | IDT70V3379S6BF | IDT70V631S10BF | IDT70V7339S166BFG |
| IDT70T3519S133BFGI | IDT70V3389S4BF | IDT70V631S10BFG | IDT70V7339S200BF |
| IDT70T3519S133BFI | IDT70V3389S4BFG | IDT70V631S12BF | IDT70V7399S133BF |
| IDT70T3519S166BF | IDT70V3389S5BF | IDT70V631S12BFGI | IDT70V7399S166BF |
| IDT70T3519S166BFG | IDT70V3389S5BFGI | IDT70V631S12BFI | IDT70V7399S200BF |
| IDT70T3589S133BFI | IDT70V3389S5BFI | IDT70V631S15BF | IDT70V7519S133BF |
| IDT70T3589S166BF | IDT70V3389S6BF | IDT70V639S10BF | IDT70V7519S133BFI |
| IDT70T3599S133BFI | IDT70V3389S6BFG | IDT70V639S12BF | IDT70V7519S166BF |
| IDT70T3599S166BF | IDT70V3399S133BF | IDT70V639S12BFGI | IDT70V7519S200BF |
| IDT70T631S10BF | IDT70V3399S133BFG | IDT70V639S12BFI | IDT70V7589S133BF |
| IDT70T631S12BF | IDT70V3399S133BFGI | IDT70V639S15BF | IDT70V7589S166BF |
| IDT70T631S15BF | IDT70V3399S133BFI | IDT70V657S10BFG | IDT70V7589S200BF |
| IDT70T631S8BF | IDT70V3399S166BF | IDT70V657S12BF | IDT70V7599S133BF |
| IDT70T633S10BF | IDT70V3399S166BFG | IDT70V657S12BFGI | IDT70V7599S166BF |
| IDT70T633S10BFGI | IDT70V3569S4BF | IDT70V657S12BFI | IDT70V7599S200BF |
| IDT70T633S10BFI | IDT70V3569S4BFG | IDT70V657S15BF | IDT89HPES5T5ZBBC |
| IDT70T633S12BFI | IDT70V3569S5BF | IDT70V658S10BF | IDT89HPES5T5ZBBCG |
| IDT70T651S10BF | IDT70V3569S5BFG | IDT70V658S10BFG | IDT89HPES5T5ZBBCGI |
| IDT70T651S10BFGI | IDT70V3569S5BFGI | IDT70V658S12BF | IDT89HPES5T5ZBBCI |
| IDT70T651S10BFI | IDT70V3569S5BFI | IDT70V658S12BFGI | IDT89HPES6T5ZBBC |
| IDT70T651S12BF | IDT70V3569S6BF | IDT70V658S12BFI | IDT89HPES6T5ZBBCG |
| IDT70T651S12BFI | IDT70V3569S6BFG | IDT70V658S15BF | IDT89HPES8T5AZBBC |
| IDT70T651S15BF | IDT70V3579S4BF | IDT70V658S15BFG | IDT89HPES8T5AZBBCG |
| IDT70T651S8BF | IDT70V3579S5BF | IDT70V658S15BFI | |
| IDT70T651S8BFG | IDT70V3579S5BFGI | IDT70V659S10BF | |

| REVISIONS | | | |
|-----------|-----------------|----------|----------|
| REV | DESCRIPTION | DATE | APPROVED |
| 00 | INITIAL RELEASE | 11/17/08 | KK Three |

322.6 REF
315.0



SEE DETAIL D-C-1
DETAIL OF CENTRAL AREA(3:1)
BOTTOM VIEW OF CENTRAL AREA(3:1)

- NOTES : (UNLESS OTHERWISE SPECIFIED)
1. MATERIAL : PP6 (BLACK)
 2. ALL DIMENSIONS ARE IN mm.
 3. TEMPERATURE : 150°C MAX.
 4. ESD SURFACE RESISTIVITY SHALL CONFORM TO IDT SPEC MSA-3032.
 5. PEAK PART NUMBER : BLACK TRAY : NH BG1515 1.75 0718 6 Rev C
RED TRAY : NH BG1515 1.75 0718 1
 6. NUMBER OF POCKETS : 7 X 18 = 126 POCKETS

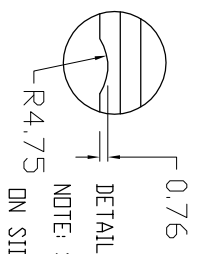
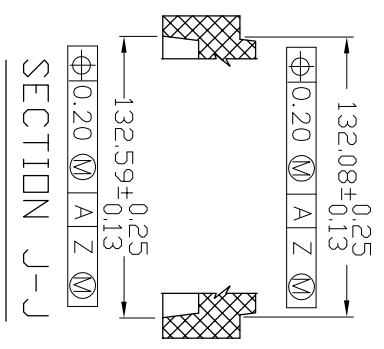
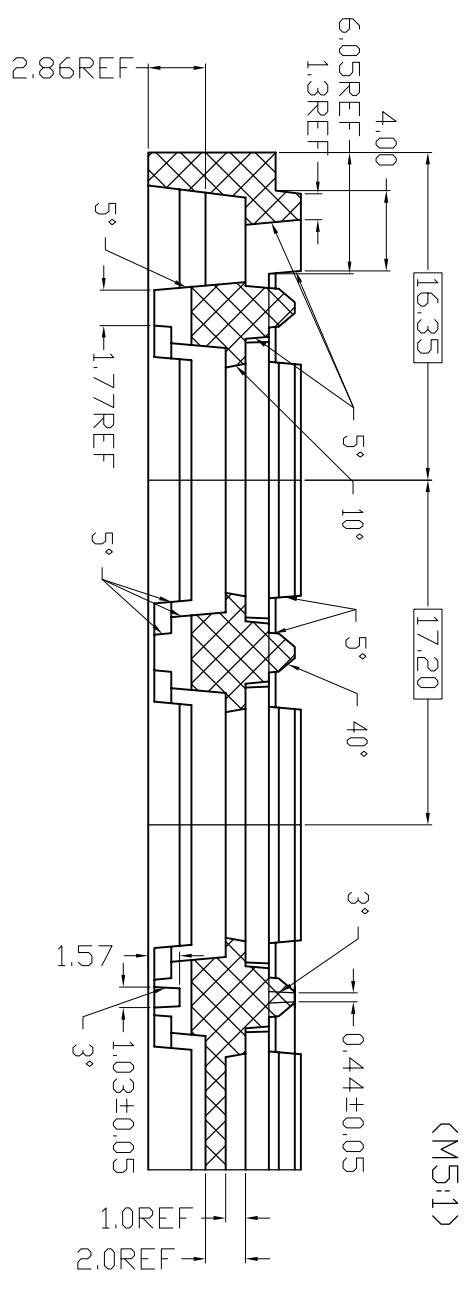
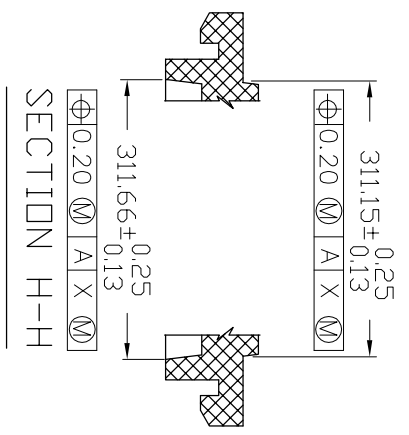
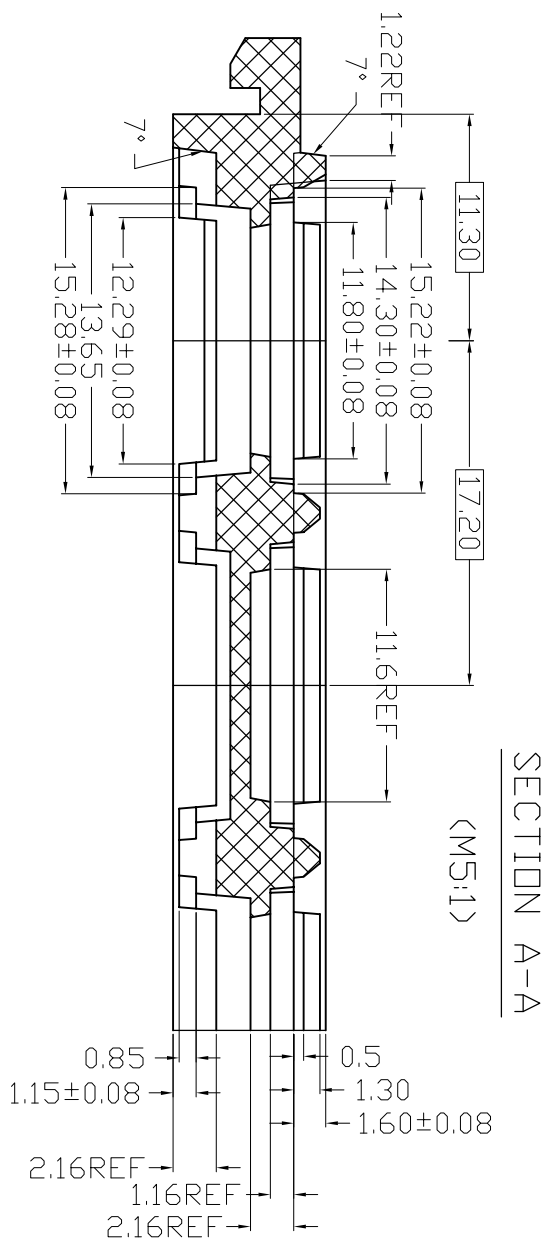
TOLERANCES UNLESS OTHERWISE SPECIFIED
DECIMALS ±.25
.XX ±.13
XXX ±.13
APPROVALS DATE

IDT
www.IDT.com

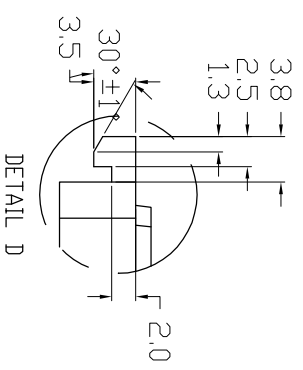
6024 Silver Creek Valley Road
San Jose, CA 95138
PHONE: (408) 284-8200
FAX: (408) 284-3572

| | | | |
|---------------|----------------------|-------------|----------|
| TITLE: | BF/BFG 289 | DRAWING NO. | MSC-5801 |
| CHECKED: | SHIPPING TRAY | REV | 00 |
| STOCK NO. | P7-246-000 | SCALE | N/A |
| FILE: MSC1701 | DO NOT SCALE DRAWING | SHEET | 1 OF 2 |

| REVISIONS | | | |
|-----------|-----------------|----------|----------|
| REV | DESCRIPTION | DATE | APPROVED |
| 00 | INITIAL RELEASE | 11/17/08 | KK Thee |



NOTE: SCALLOP IS CENTERED ON SIDE OF TRAY



TOLERANCES UNLESS OTHERWISE SPECIFIED
 DECIMALS .XX ±.13
 .XXX ±.13
 ANGLES ±.5°

APPROVALS: _____ DATE: _____
 DRAWN: _____
 CHECKED: _____

FILE: MSC17011

IDT
 6024 Silver Creek Valley Road
 San Jose, CA 95138
 PHONE: (408) 284-8200
 FAX: (408) 284-3572
 WWW.IDT.COM

TITLE: **BF/BFG 289 SHIPPING TRAY**

STOCK NO. _____ DRAWING NO. **MSC-5801**

DO NOT SCALE DRAWING SHEET 2 OF 2

SCALE: N/A
 SIZE: B
 REV: 00