

Product Change Notice (PCN)

Subject: Change of Standby current specification at high temperature for Renesas 32Mbit/64Mbit SRAM products

Publication Date: 4/25/2024

Effective Date: 6/3/2024

Revision Description:

Initial Release

Description of Change:

Regarding Renesas 32Mbit/64Mbit SRAM products, Max. value of standby current (I_{SB1} , I_{CCDR}) at high temperature is revised as follows:

32Mbit products ... Before change : $17\mu A @ \sim 70^{\circ}C$, $24\mu A @ \sim 85^{\circ}C$
 After change : $12\mu A @ \sim 70^{\circ}C$, $18\mu A @ \sim 85^{\circ}C$

64Mbit products ... Before change : $34\mu A @ \sim 70^{\circ}C$, $46\mu A @ \sim 85^{\circ}C$
 After change : $24\mu A @ \sim 70^{\circ}C$, $36\mu A @ \sim 85^{\circ}C$

The updated datasheet is now available at Renesas website.

Affected Product List:

RMLV3216AGSA-5S2#AA0	RMLV3216AGSA-5S2#KA0	RMLV3216AGBG-5S2#AC0	RMLV3216AGBG-5S2#KC0
RMLV3216AGSD-5S2#AA0	RMLV3216AGSD-5S2#HA0	RMWV6416AGSA-5S2#AA0	RMWV6416AGSA-5S2#KA0
RMWV6416AGBG-5S2#AC0	RMWV6416AGBG-5S2#KC0	RMWV6416AGSD-5S2#AA0	RMWV6416AGSD-5S2#HA0

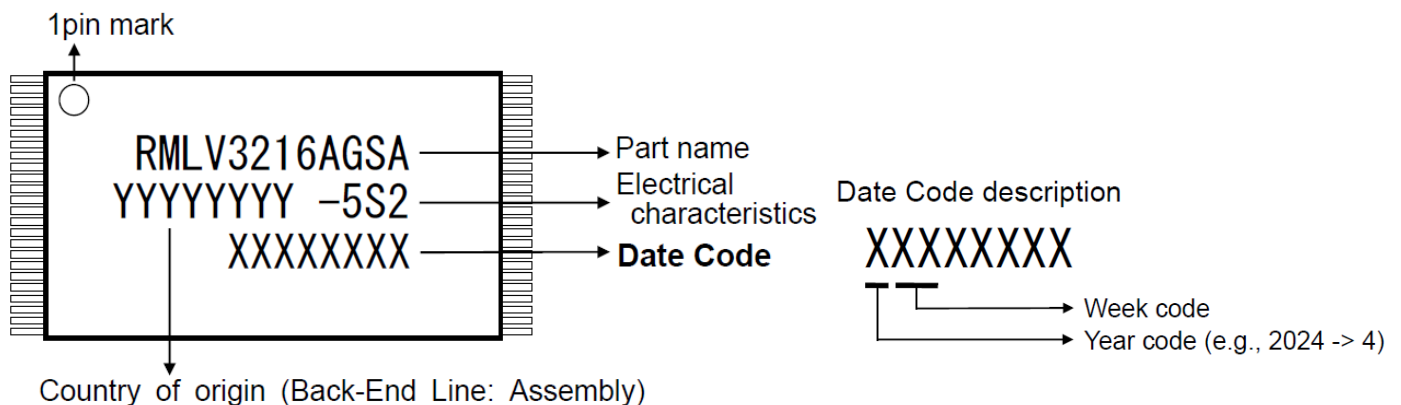
Reason for Change: To improve the Standby current specification at high temperature.

Impact on Fit, Form, Function, Quality & Reliability: No impact.

Product Identification:

Identifiable by the Date Code marked on the package. Date Code of product after change is starting with 417XXXXX. Please refer below for example of marking and Date Code description.

Example of Marking



Qualification Status: N/A

Sample Availability Date: N/A

Device Material Declaration: N/A

- Note:
1. Acknowledgement must be received by Renesas within 30 days or Renesas will consider the change as approved.
 2. If timely acknowledgement is provided by Customer, then Customer shall have 90 days from the date of receipt of this PCN to make any objections to this PCN. If Customer fails to make objections to this PCN within 90 days of the receipt of the PCN then Renesas will consider the PCN changes as approved.
 3. If customer cannot accept the PCN then customer must provide Renesas with a last time buy demand and purchase order.

For additional information regarding this notice, please contact your Renesas sales representative.