

Product Change Notice (PCN)

Subject:

Back-end factory and material change for RA(RA6M3)/SYNERGY(S5D9) 176pin-LQFP products.

Publication Date: 2/10/2023

Effective Date: 7/3/2023

Revision Description:

Initial Release

Description of Change:

1)Change of Back-End factories

1.1 Change the assembly factory

Current: Renesas Semiconductor (Suzhou) Co., Ltd (RSC)

Change: Greatek Electronics Inc., (Greatek)

1.2 Change the final test factory

Current: Renesas Semiconductor (Suzhou) Co., Ltd (RSC)

Change: King Yuan Electronics Co., Ltd (KYTEC)

2)Change of materials

When comparing with RSC products, there are some change as described below because of using the standard material and manufacturing equipment which are currently using in the Greatek factory.

2.1 Material:

Lead frame, die mount and mold resin.

2.2 Package outline and Marking on package:

Some differences for external dimensions.

Mark content and font.

2.3 Packing material:

tray change

Change of bundling band color (Black)

Change to full carton specification

3) Storage condition after opening

The storage conditions after opening the moisture proof bag of the Greatek product comply with JEDEC standards.

Current : 30° C /70%RH/within 168hr

Change : 30° C /60%RH/within 168hr(JEDEC compliant)

Affected Product List:

RA(RA6M3) and SYNERGY(S5D9) 176pin-LQFP products

Current ordering model name	Order type name after change
R7FA6M3AF3CFC#AA0	R7FA6M3AF3CFC#BA1
R7FA6M3AH3CFC#AA0	R7FA6M3AH3CFC#BA1
R7FS5D97C3A01CFC#AA0	R7FS5D97C3A01CFC#BA1
R7FS5D97E3A01CFC#AA0	R7FS5D97E3A01CFC#BA1
R7FS5D97C3A01CFC#BA0	R7FS5D97C3A01CFC#BA1
R7FS5D97E3A01CFC#BA0	R7FS5D97E3A01CFC#BA1

Reason for Change:

For Stable supply, we change Back-End factories.

Impact on Fit, Form, Function, Quality & Reliability:

Fit, Form: There are some changes in dimensions.

Function, Quality and reliability: There are no impact.

Product Identification:

Possible to confirm the production history data from the packing label or trace code.

Qualification Status:

Completed. Please contact Renesas sales, distributor, or agency.

Sample Availability Date: 6/1/2023

Sample request must be sent to Renesas by March 31, 2023.

Device Material Declaration:

Please contact sales representative or sales agent.

- Note:
1. Acknowledgement must be received by Renesas within 30 days or Renesas will consider the change as approved.
 2. If timely acknowledgement is provided by Customer, then Customer shall have 90 days from the date of receipt of this PCN to make any objections to this PCN. If Customer fails to make objections to this PCN within 90 days of the receipt of the PCN then Renesas will consider the PCN changes as approved.
 3. If customer cannot accept the PCN then customer must provide Renesas with a last time buy demand and purchase order.

For additional information regarding this notice, please contact your Renesas sales representative.

**RA(RA6M3)_SYNERGY(S5D9) 176PIN-LQFP
PRODUCTS BACK-END FACTORY AND MATERIAL
CHANGE DIFFERENCE DOCUMENT**

**Assembly factory: Greatek Electronics Inc.,
Sorting factory: King Yuan Electronics Co., Ltd**

FEBRUARY 10, 2023

IOT PLATFORM BUSINESS DIVISION
IOT AND INFRASTRUCTURE BUSINESS UNIT
RENESAS ELECTRONICS CORPORATION

IMO-AB-23-0017-1

Notice

1. Descriptions of circuits, software and other related information in this document are provided only to illustrate the operation of semiconductor products and application examples. You are fully responsible for the incorporation or any other use of the circuits, software, and information in the design of your product or system. Renesas Electronics disclaims any and all liability for any losses and damages incurred by you or third parties arising from the use of these circuits, software, or information.
2. Renesas Electronics hereby expressly disclaims any warranties against and liability for infringement or any other claims involving patents, copyrights, or other intellectual property rights of third parties, by or arising from the use of Renesas Electronics products or technical information described in this document, including but not limited to, the product data, drawings, charts, programs, algorithms, and application examples.
3. No license, express, implied or otherwise, is granted hereby under any patents, copyrights or other intellectual property rights of Renesas Electronics or others.
4. You shall be responsible for determining what licenses are required from any third parties, and obtaining such licenses for the lawful import, export, manufacture, sales, utilization, distribution or other disposal of any products incorporating Renesas Electronics products, if required.
5. You shall not alter, modify, copy, or reverse engineer any Renesas Electronics product, whether in whole or in part. Renesas Electronics disclaims any and all liability for any losses or damages incurred by you or third parties arising from such alteration, modification, copying or reverse engineering.
6. Renesas Electronics products are classified according to the following two quality grades: "Standard" and "High Quality". The intended applications for each Renesas Electronics product depends on the product's quality grade, as indicated below.
 - "Standard": Computers; office equipment; communications equipment; test and measurement equipment; audio and visual equipment; home electronic appliances; machine tools; personal electronic equipment; industrial robots; etc.
 - "High Quality": Transportation equipment (automobiles, trains, ships, etc.); traffic control (traffic lights); large-scale communication equipment; key financial terminal systems; safety control equipment; etc.Unless expressly designated as a high reliability product or a product for harsh environments in a Renesas Electronics data sheet or other Renesas Electronics document, Renesas Electronics products are not intended or authorized for use in products or systems that may pose a direct threat to human life or bodily injury (artificial life support devices or systems; surgical implantations; etc.), or may cause serious property damage (space system; undersea repeaters; nuclear power control systems; aircraft control systems; key plant systems; military equipment; etc.). Renesas Electronics disclaims any and all liability for any damages or losses incurred by you or any third parties arising from the use of any Renesas Electronics product that is inconsistent with any Renesas Electronics data sheet, user's manual or other Renesas Electronics document.
7. No semiconductor product is absolutely secure. Notwithstanding any security measures or features that may be implemented in Renesas Electronics hardware or software products, Renesas Electronics shall have absolutely no liability arising out of any vulnerability or security breach, including but not limited to any unauthorized access to or use of a Renesas Electronics product or a system that uses a Renesas Electronics product. RENESAS ELECTRONICS DOES NOT WARRANT OR GUARANTEE THAT RENESAS ELECTRONICS PRODUCTS, OR ANY SYSTEMS CREATED USING RENESAS ELECTRONICS PRODUCTS WILL BE INVULNERABLE OR FREE FROM CORRUPTION, ATTACK, VIRUSES, INTERFERENCE, HACKING, DATA LOSS OR THEFT, OR OTHER SECURITY INTRUSION ("Vulnerability Issues"). RENESAS ELECTRONICS DISCLAIMS ANY AND ALL RESPONSIBILITY OR LIABILITY ARISING FROM OR RELATED TO ANY VULNERABILITY ISSUES. FURTHERMORE, TO THE EXTENT PERMITTED BY APPLICABLE LAW, RENESAS ELECTRONICS DISCLAIMS ANY AND ALL WARRANTIES, EXPRESS OR IMPLIED, WITH RESPECT TO THIS DOCUMENT AND ANY RELATED OR ACCOMPANYING SOFTWARE OR HARDWARE, INCLUDING BUT NOT LIMITED TO THE IMPLIED WARRANTIES OF MERCHANTABILITY, OR FITNESS FOR A PARTICULAR PURPOSE.
8. When using Renesas Electronics products, refer to the latest product information (data sheets, user's manuals, application notes, "General Notes for Handling and Using Semiconductor Devices" in the reliability handbook, etc.), and ensure that usage conditions are within the ranges specified by Renesas Electronics with respect to maximum ratings, operating power supply voltage range, heat dissipation characteristics, installation, etc. Renesas Electronics disclaims any and all liability for any malfunctions, failure or accident arising out of the use of Renesas Electronics products outside of such specified ranges.
9. Although Renesas Electronics endeavors to improve the quality and reliability of Renesas Electronics products, semiconductor products have specific characteristics, such as the occurrence of failure at a certain rate and malfunctions under certain use conditions. Unless designated as a high reliability product or a product for harsh environments in a Renesas Electronics data sheet or other Renesas Electronics document, Renesas Electronics products are not subject to radiation resistance design. You are responsible for implementing safety measures to guard against the possibility of bodily injury, injury or damage caused by fire, and/or danger to the public in the event of a failure or malfunction of Renesas Electronics products, such as safety design for hardware and software, including but not limited to redundancy, fire control and malfunction prevention, appropriate treatment for aging degradation or any other appropriate measures. Because the evaluation of microcomputer software alone is very difficult and impractical, you are responsible for evaluating the safety of the final products or systems manufactured by you.
10. Please contact a Renesas Electronics sales office for details as to environmental matters such as the environmental compatibility of each Renesas Electronics product. You are responsible for carefully and sufficiently investigating applicable laws and regulations that regulate the inclusion or use of controlled substances, including without limitation, the EU RoHS Directive, and using Renesas Electronics products in compliance with all these applicable laws and regulations. Renesas Electronics disclaims any and all liability for damages or losses occurring as a result of your noncompliance with applicable laws and regulations.
11. Renesas Electronics products and technologies shall not be used for or incorporated into any products or systems whose manufacture, use, or sale is prohibited under any applicable domestic or foreign laws or regulations. You shall comply with any applicable export control laws and regulations promulgated and administered by the governments of any countries asserting jurisdiction over the parties or transactions.
12. It is the responsibility of the buyer or distributor of Renesas Electronics products, or any other party who distributes, disposes of, or otherwise sells or transfers the product to a third party, to notify such third party in advance of the contents and conditions set forth in this document.
13. This document shall not be reprinted, reproduced or duplicated in any form, in whole or in part, without prior written consent of Renesas Electronics.
14. Please contact a Renesas Electronics sales office if you have any questions regarding the information contained in this document or Renesas Electronics products.

(Note 1) "Renesas Electronics" as used in this document means Renesas Electronics Corporation and also includes its directly or indirectly controlled subsidiaries.

(Note 2) "Renesas Electronics product(s)" means any product developed or manufactured by or for Renesas Electronics.

(Rev. 5.0-1 October 2020)

Content

- Overview
 - 1 . Difference of specification's outline
 - 2 . Difference of specification's detail
 - 3 . 4M changing points

Overview

Thank you for continuously using our products.

In our microcomputer RA (RA6M3)/SYNERGY (S5D9) 176pin-LQFP products, we will change the manufacturing factory and materials for the purpose of stable supply.

Therefore, we would like to ask for your kind understanding and cooperation in order to make the procedure smoothly completed.

Yours sincerely,

Change points are reported in the following pages.

1 . DIFFERENCE OF SPECIFICATION'S OUTLINE

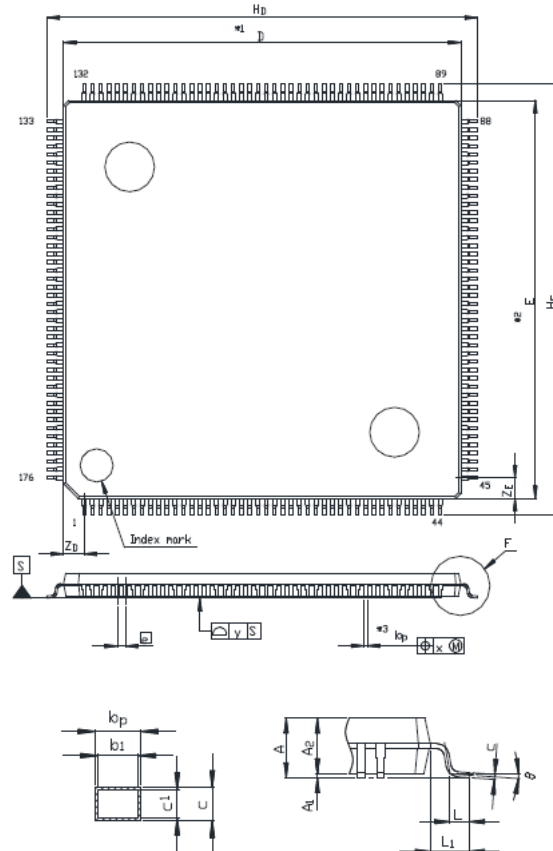
Item		Current	Change	Noto
Assembly factory		Renesas Semiconductor (Suzhou) Co., Ltd	Greatek Electronics Inc.	
Sorting factory		Renesas Semiconductor (Suzhou) Co., Ltd	King Yuan Electronics Co., Ltd	
Parts	Lead frame	—	Change to standard material used in new factory. The structure not changed.	
	Die mount	—	Change to standard material used in new factory. The structure not changed.	
	Die mount	—	Change to standard material used in new factory. The structure not changed.	
	Chip thickness	280μm	305μm(12mil)	
Package	Outline	—	There are changes in some of dimensions	Refer to page 6 to 8
Marking	Mark	—	Mark changed	Refer to page 9 to 10
	Font	—	Font changed	
Packing	Tray	—	Certified tray	Refer to page 11
	Bundling band color	—	Bundling band color change (black)	
	Full carton	Quantity Fraction packing:1pcs Full carton packing:320pcs	Quantity Fraction packing:None Full carton packing:240pcs	Refer to page 12 to13
Storage condition	After opening	Within 30°C/ 70%RH/ 168h	Within 30°C/ 60%RH/ 168h	

※There is no impact on reliability and specification

2. DIFFERENCE OF SPECIFICATION'S DETAIL (1)

RENESAS Code : PLQP0176KB-A

24x24mm 176pin LQFP package drawing (Current)

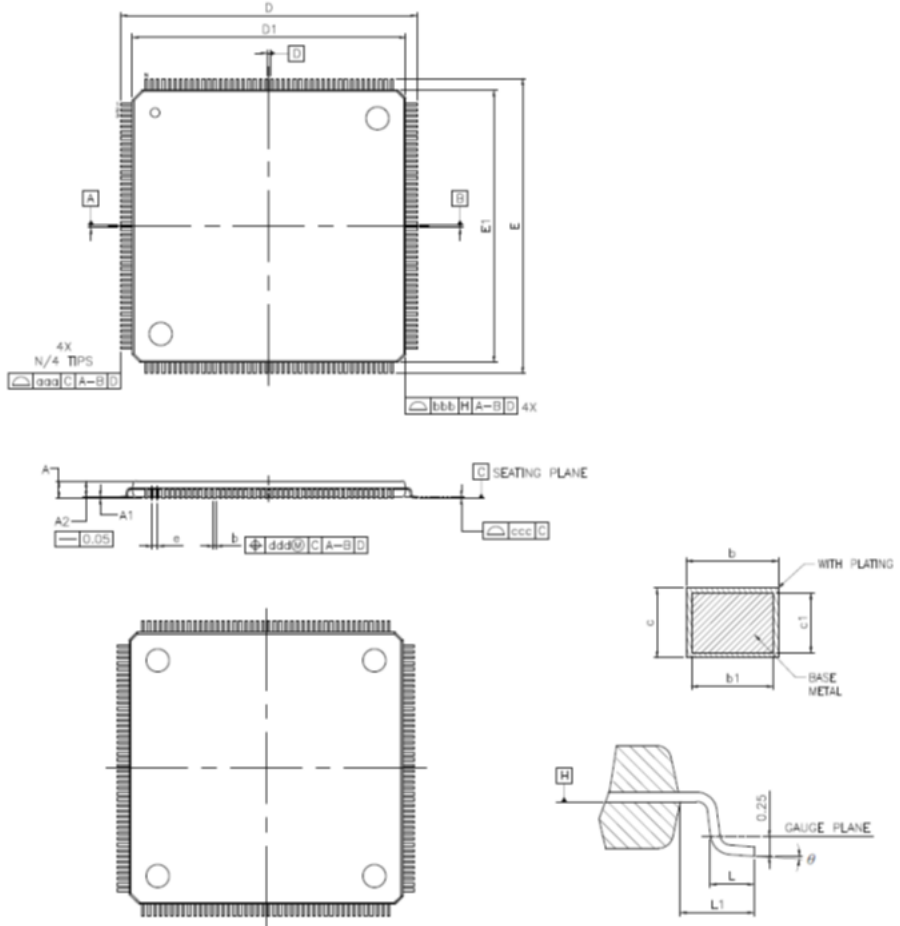


Reference Symbol	Dimension in Millimeters		
	Min	Nom	Max
D	23.9	24.0	24.1
E	23.9	24.0	24.1
A ₂	—	1.4	—
H _D	25.8	26.0	26.2
H _E	25.8	26.0	26.2
A	—	—	1.7
A ₁	0.05	0.1	0.15
k _p	0.15	0.20	0.25
b ₁	—	0.18	—
c	0.09	0.145	0.20
c ₁	—	0.125	—
θ	0°	—	8°
e	—	0.5	—
x	—	—	0.08
y	—	—	0.08
Z _D	—	1.25	—
Z _E	—	1.25	—
L	0.35	0.5	0.65
L ₁	—	1.0	—

2. DIFFERENCE OF SPECIFICATION'S DETAIL (2)

RENESAS Code : PLQP0176KJ-A

24x24mm 176pin LQFP package drawing (Change)



SYMBOLS	MIN.	NOM.	MAX.
A	-	-	1.60
A1	0.05	-	0.15
A2	1.35	1.40	1.45
D	26.00 BSC		
D1	24.00 BSC		
E	26.00 BSC		
E1	24.00 BSC		
N	176		
e	0.50 BSC		
b	0.17	0.22	0.27
b1	0.17	0.20	0.23
c	0.09	-	0.20
c1	0.09	-	0.16
θ	0°	3.5°	7°
L	0.45	0.60	0.75
L1	1.00 REF		
aaa	0.20		
bbb	0.20		
ccc	0.08		
ddd	0.08		

2. DIFFERENCE OF SPECIFICATION'S DETAIL (3)

Dimension comparison : 24x24mm 176pin LQFP package

Greatek symbol is the same as the JEDEC standard.


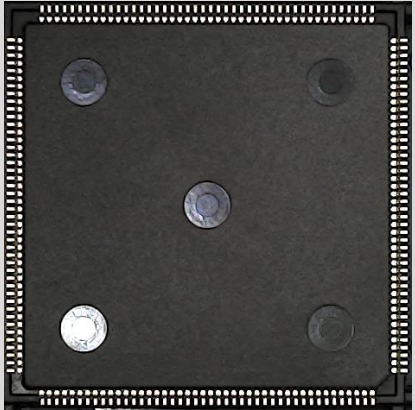


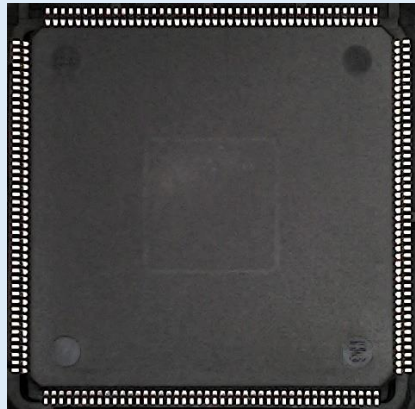

Current	24x24mm 176pin LQFP			Change	24x24mm 176pin LQFP		
	PLQP0176KJ-A				PLQP0176KJ-A		
RSC	Dimension in Millimeters			Greatek	Dimension in Millimeters		
Symbol	Min	Nom	Max	Symbol	Min	Nom	Max
A	-	-	1.70	A	-	-	1.60
A1	0.05	0.10	0.15	A1	0.05	-	-
A2	-	1.40	-	A2	1.35	-	-
HD	25.80	26.00	26.20	D	-	26.00	-
D	23.90	24.00	24.10	D1	-	24.00	-
HE	25.80	26.00	26.20	E	-	26.00	-
E	23.90	24.00	24.10	E1	-	24.00	-
-	-	-	-	N	-	176	-
e	-	0.50	-	e	-	0.50	-
bp	0.15	0.20	0.25	b	0.17	0.22	0.27
-	-	-	-	b1	0.17	0.20	0.23
c	0.09	0.145	0.20	c	0.09	-	0.20
-	-	-	-	c1	0.09	-	0.16
θ	0°	-	8°	θ	0°	3.5°	7°
L	0.35	0.50	0.65	L	0.45	0.60	0.75
L1	-	1.00	-	L1	-	1.00	-
-	-	-	-	aaa	-	0.20	-
-	-	-	-	bbb	-	0.20	-
y	-	-	0.08	ccc	-	0.08	-
x	-	-	0.08	ddd	-	0.08	-

*The dimensions are equivalent to the current ones.
The difference in the numerical value is because the part specified as the dimension is different.

2. DIFFERENCE OF SPECIFICATION'S DETAIL (4)

Appearance : 24x24mm 176pin LQFP package

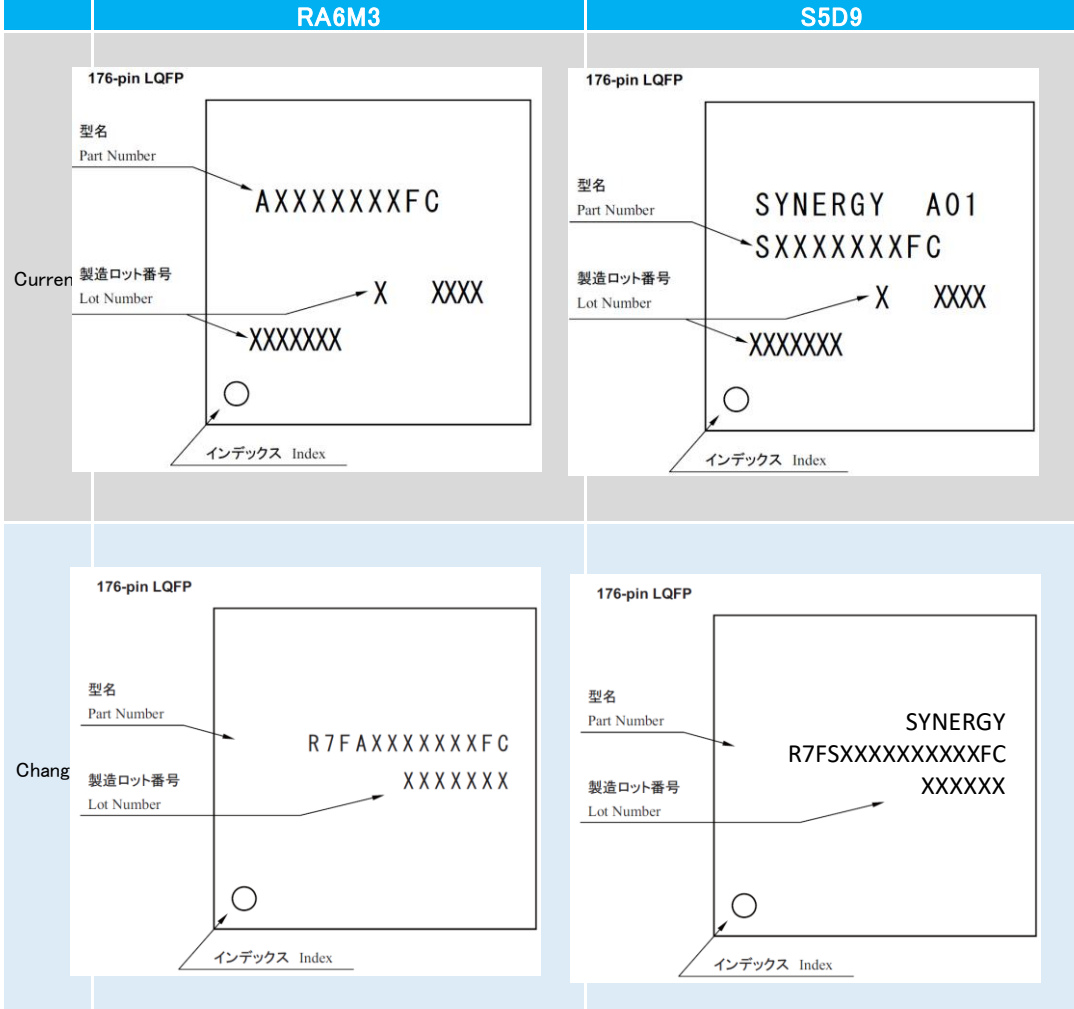
※Marked character is reference example

	Package surface	Package back	Font
Current			
Change			

*There is no WS notation in the actual product

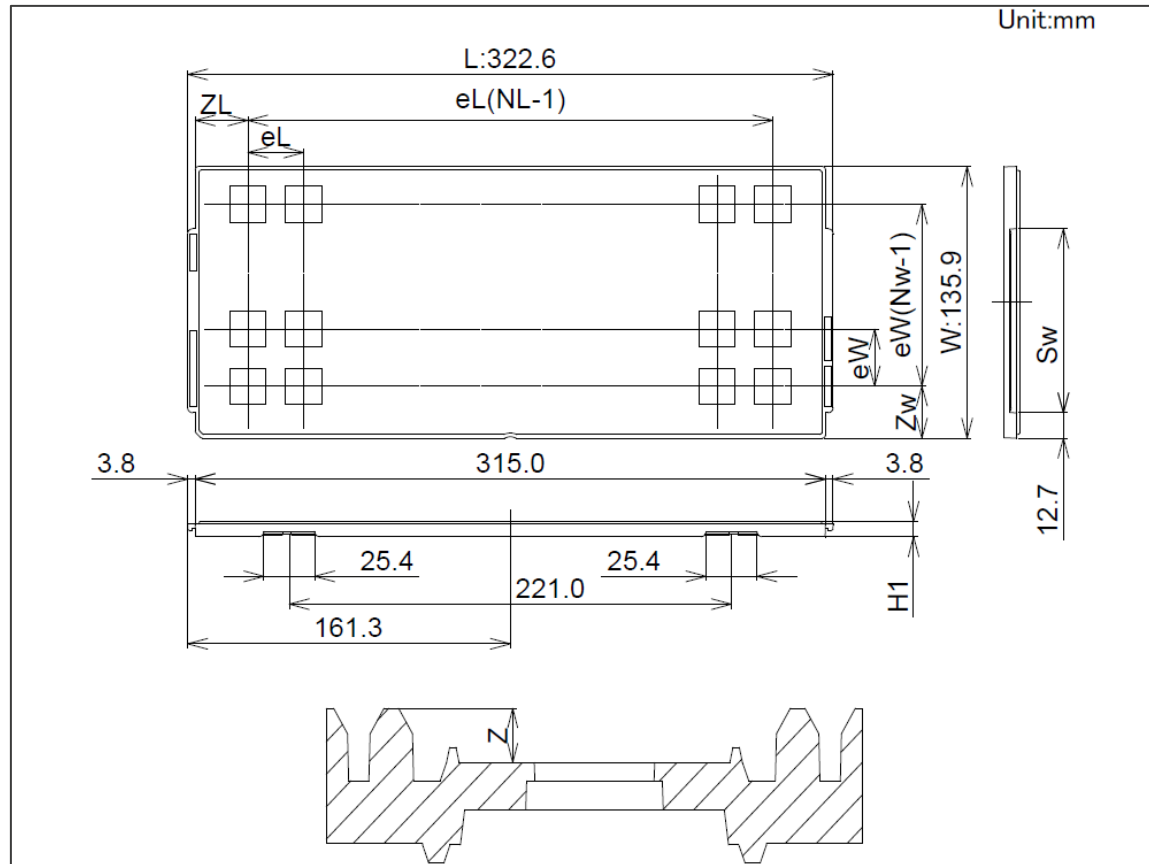
2. DIFFERENCE OF SPECIFICATION'S DETAIL (5)

Mark specification : 24x24mm 176pin LQFP package



2. DIFFERENCE OF SPECIFICATION'S DETAIL (6)

Packing specification (Tray)



Tray Code	Current		Change	
	LQFP24x24x1.4		EAC242401-10	
Position dimension of cells	Z	1.50		
	Zw	20.70		
	ZL	20.70		
	eW	31.50		
	eL	30.40		
	Sw	92.1		
Thickness (mm)	H1	7.62		
Number of cells	Nw	4		
	NL	10		
Maximum storage pcs IC/Tray	40			
Maximum storage pcs IC/Inner box	320		240	
Material	Carbon PPE			
Heat resistant temperature	135°C MAX			
JEDECorCustom	JEDEC			
Surface resistance	Less than $1 \times 10^{11} \Omega / \square$			

2. DIFFERENCE OF SPECIFICATION'S DETAIL (7)

Packing specification (Full Carton1)

We will unify the order form to full cartons of trays.
Order quantity units are available from the following quantities.

Shipment form	Current ordering model name	Order unit of measure	Order type name after change	Order unit of measure
Tray	R7FA6M3AF3CFC#AA0	1pcs	R7FA6M3AF3CFC#BA1	240pcs
	R7FA6M3AH3CFC#AA0	1pcs	R7FA6M3AH3CFC#BA1	240pcs
	R7FS5D97C3A01CFC#AA0	1pcs	R7FS5D97C3A01CFC#BA1	240pcs
	R7FS5D97E3A01CFC#AA0	1pcs	R7FS5D97E3A01CFC#BA1	240pcs
	R7FS5D97C3A01CFC#BA0	320pcs	R7FS5D97C3A01CFC#BA1	240pcs
	R7FS5D97E3A01CFC#BA0	320pcs	R7FS5D97E3A01CFC#BA1	240pcs

2. DIFFERENCE OF SPECIFICATION'S DETAIL (8)

Packing specification (Full Carton2)

We will change the model name of the target product, which is packaged in a tray, to a full carton model. In full-carton packaging, in which the tray and the inner box are filled, if the inner box cannot be filled with one production lot, a maximum of three lots will be combined to form a shipping lot.

Comparison table

	Item	Fraction packing	Full carton packing
①	Package presentation	There is an unstored part in the tray, and the number of trays in the inner box is less than the specified number.	All items are stored in the tray, and the number of trays stacked in the inner box is the specified upper limit, and the inner box is fully stored.
②	Product label	No lot number on the upper left corner of the label.	The integrated lot details are indicated on the upper left of the label.
③	Integration of assembly lots	No integration, one production lot.	Possibility to combine up to 3 production lots in one inner box.
④	Our order model name	1st digit after # in orderable model name: #A*	1st digit after # in orderable model name: #B*
⑤	Order quantity	1 unit	Multiple of full carton unit of measure

An example of the current label (fraction storage)

There is no production lot notation on the upper left of the label



Example of label after full carton packaging change (integrated lot storage)

Indicate the integrated production lot on the upper left of the label: 3 production lots

Integration example (serial number, week code, quantity)

3. 4M CHANGING POINTS (Change the assembly factory and materials)

Item	Check result	Judgement
Machine	Changing at assembly. The machines are equivalent to present machines. There are production of similar copper wire products and we have already checked the additional products have no risk on the production.	No risk
Method	The same as current products.	No risk
Man	Adopt operator certification system. Only certificated operator can work for the production.	No risk
Material	Only use certificated materials. The products has been certificated by reliability test same as present products and have no risk.	No risk

[Renesas.com](https://www.renesas.com)