

## Product Change Notice (PCN)

**Subject:** Assembly and sorting factory addition for RL78/I1C

**Publication Date:** 2/10/2026

**Effective Date:** 6/30/2026

**Revision Description:** Initial release

**Description of Change:**

Assembly and sorting factory addition for RL78/I1C 64pin,80pin,100pin LFQFP products.  
And Renesas Logo is additionally marked on the products of the additional factory.

Additional factory : CG SEMI-Private Limited (CG SEMI , India)

Existing factory : Renesas Semiconductor (Beijing) Co.,Ltd (BJ)

Greatek Electronics Inc. (Greatek)

King Yuan Electronics Co., Ltd (KYEC)

ADVANCED SEMICONDUCTOR ENGINEERING, INC. (ASEKH)

Renesas Semiconductor KL Sdn. Bhd. (KL)

The differences due to the factory addition are as follows.

No	Item	Additional	Existing				
			KL/ KL	ASEKH/ BJ	ASEKH/ KYEC	Greatek/ KYEC	BJ/ BJ
1	Assembly / sorting factory	CG SEMI/ CG SEMI	KL/ KL	ASEKH/ BJ	ASEKH/ KYEC	Greatek/ KYEC	BJ/ BJ
2	Package outline	There are differences (Refer to pp.4-6 for detail)					
3	Wire	No change: Cu (Pd coating)					
4	Lead frame	There are differences (Refer to p.7 for detail)					
5	Marking	There are differences (Refer to pp.7-8 for detail)					

**Affected Product List:**

Product P/N	Package	Product P/N	Package	Product P/N	Package
R5F10NPLDFB#10	100pin LFQFP	R5F10NPGDFB#75	100pin LFQFP	R5F10NLEDFB#55	64pin LFQFP
R5F10NPLDFB#50	100pin LFQFP	R5F10NMJDFB#15	80pin LFQFP	R5F10NLEDFB#75	64pin LFQFP
R5F10NPLDFB#70	100pin LFQFP	R5F10NMJDFB#55	80pin LFQFP	R5F10NLGDFB#15	64pin LFQFP
R5F10NMLDFB#10	80pin LFQFP	R5F10NMJDFB#75	80pin LFQFP	R5F10NLGDFB#55	64pin LFQFP
R5F10NMLDFB#50	80pin LFQFP	R5F10NMEDFB#15	80pin LFQFP	R5F10NLGDFB#75	64pin LFQFP
R5F10NMLDFB#70	80pin LFQFP	R5F10NMEDFB#55	80pin LFQFP	R5F11TLGDFB#15	64pin LFQFP
R5F10NPJDFB#15	100pin LFQFP	R5F10NMEDFB#75	80pin LFQFP	R5F11TLGDFB#55	64pin LFQFP
R5F10NPJDFB#55	100pin LFQFP	R5F10NMGDFB#15	80pin LFQFP	R5F11TLGDFB#75	64pin LFQFP
R5F10NPJDFB#75	100pin LFQFP	R5F10NMGDFB#55	80pin LFQFP	R5F11TLEDFB#15	64pin LFQFP
R5F10NPGDFB#15	100pin LFQFP	R5F10NMGDFB#75	80pin LFQFP	R5F11TLEDFB#55	64pin LFQFP
R5F10NPGDFB#55	100pin LFQFP	R5F10NLEDFB#15	64pin LFQFP	R5F11TLEDFB#75	64pin LFQFP

**Reason for Change:**

For stable supply of products.

**Impact on Fit, Form, Function, Quality & Reliability:**

The change will have no impact on the fitness, function, quality and reliability of the devices.

Package Outline: Please refer to pp.4-6.

**Product Identification:**

There is no change in Part number.

Our production history data can be queried by using the trace code of the product.

**Qualification Status:** In progress, Available on 6/30/2026

**Sample Availability Date:** 4/1/2026

Samples will be shipped sequentially from the scheduled shipping date.

(Deadline for sample request 3/31/2026)

PCN sample is a ES sample.

The ES sample has the same functionality as the MP product.

Differences from MP products: The sorting place is different (the test program is the same).

**Device Material Declaration:** Available upon request.

- Note:
1. Acknowledgement must be received by Renesas within 30 days or Renesas will consider the change as approved.
  2. If timely acknowledgement is provided by Customer, then Customer shall have 90 days from the date of receipt of this PCN to make any objections to this PCN. If Customer fails to make objections to this PCN within 90 days of the receipt of the PCN then Renesas will consider the PCN changes as approved.
  3. If customer cannot accept the PCN then customer must provide Renesas with a last time buy demand and purchase order.

**For additional information regarding this notice, please contact your Renesas sales representative.**

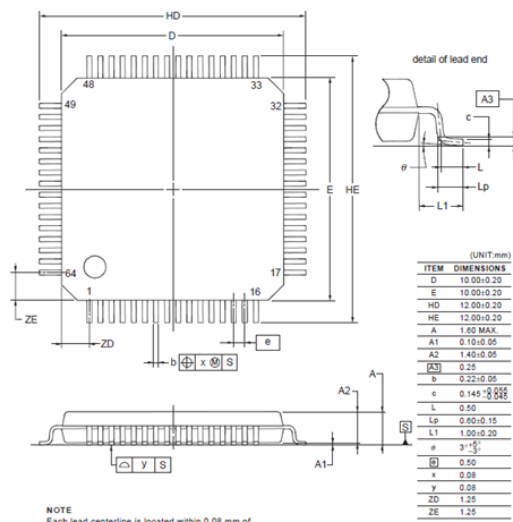
# Appendix

## ■ Package outline

### -10mm×10mm 0.5mm pitch 64pin LFQFP

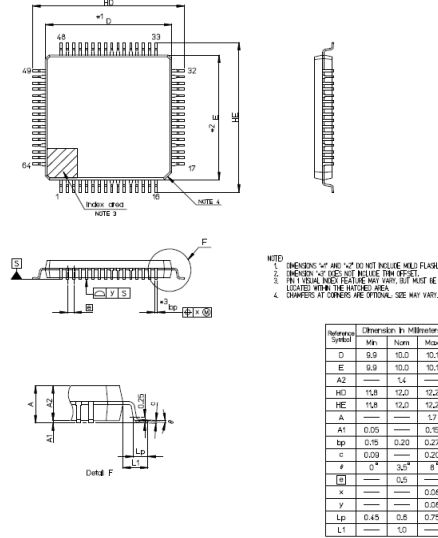
PLQP0064KF-A

JEITA Package Code	RENESAS Code	Previous Code	MASS (TYP.) [g]
P-LFQFP64-10x10-0.50	PLQP0064KF-A	P64GB-50-UEU-2	0.35



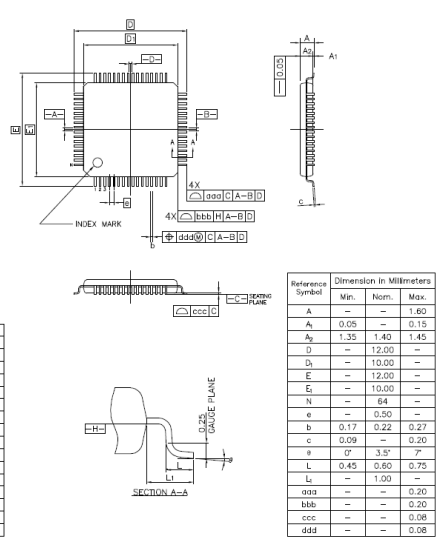
PLQP0064KB-C

JEITA Package Code	RENESAS Code	Previous Code	MASS(TYP.) [g]
P-LFQFP64-10x10-0.50	PLQP0064KB-C		0.39



PLQP0064KL-A

JEITA Package code	RENESAS code	MASS(TYP.) [g]
P-LFQFP64-10x10-0.50	PLQP0064KL-A	0.36



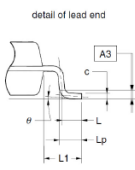
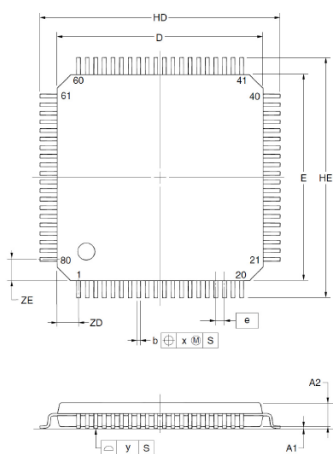
NOTE  
Each lead centerline is located within 0.08 mm of its true position at maximum material condition.

CG SEMI Symbol	10x10mm 64pin LFQFP PLQP0064KF-A			BJ ASEKH Symbol	10x10mm 64pin LFQFP PLQP0064KB-C			Greatek Symbol	10x10mm 64pin LFQFP PLQP0064KL-A		
	Dimension in Millimeters				Dimension in Millimeters				Dimension in Millimeters		
	Min	Nom	Max		Min	Nom	Max		Min	Nom	Max
A	-	-	1.60	A	-	-	1.70	A	-	-	1.60
A1	0.05	0.10	0.15	A1	0.05	-	0.15	A1	0.05	-	0.15
A2	1.35	1.40	1.45	A2	-	1.4	-	A2	1.35	1.40	1.45
HD	11.80	12.00	12.20	HD	11.80	12.00	12.20	D	-	12.00	-
D	9.80	10.00	10.20	D	9.90	10.00	10.10	D1	-	10.00	-
HE	11.80	12.00	12.20	HE	11.80	12.00	12.20	E	-	12.00	-
E	9.80	10.00	10.20	E	9.90	10.00	10.10	E1	-	10.00	-
-	-	-	-	-	-	-	-	N	-	64	-
e	-	0.50	-	e	-	0.50	-	e	-	0.50	-
b	0.15	0.22	0.27	bp	0.15	0.20	0.27	b	0.17	0.22	0.27
c	0.10	0.145	0.20	c	0.09	-	0.20	c	0.09	-	0.20
θ	0°	3.0°	8°	θ	0°	3.5°	8°	θ	0°	3.5°	7°
Lp	0.45	0.60	0.75	Lp	0.45	0.60	0.75	L	0.45	0.60	0.75
L1	0.80	1.00	1.20	L1	-	1.00	-	L1	-	1.00	-
-	-	-	-	-	-	-	-	aaa	-	-	0.20
-	-	-	-	-	-	-	-	bbb	-	-	0.20
y	-	-	0.08	y	-	-	0.08	ccc	-	-	0.08
x	-	-	0.08	x	-	-	0.08	ddd	-	-	0.08

-12mm×12mm 0.5mm pitch 80pin LFQFP

PLQP0080KE-A

JEITA Package Code	RENESAS Code	Previous Code	MASS (TYP.) [g]
P-LFQFP80-12x12-0.50	PLQP0080KE-A	P80GK-50-8EU	0.53



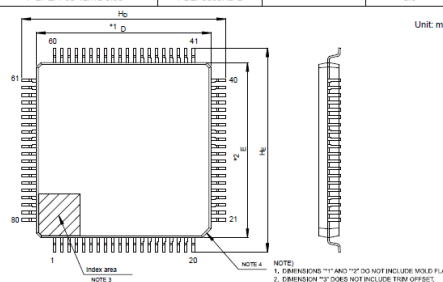
(UNIT: mm)

ITEM	DIMENSIONS
D	12.00±0.20
E	12.00±0.20
HD	14.00±0.20
HE	14.00±0.20
A	1.60 MAX.
A1	0.10±0.05
A2	1.40±0.05
A3	0.35
b	0.22±0.05
c	0.145 <sup>0.055</sup> <sub>0.045</sub>
L	0.50
Lp	0.60±0.15
L1	1.00±0.20
θ	3°~5°
θ	0°
x	0.08
y	0.08
ZD	1.25
ZE	1.25

NOTE  
Each lead centerline is located within 0.08 mm of its true position at maximum material condition.

PLQP0080KB-B

JEITA Package Code	RENESAS Code	Previous Code	MASS (TYP.) [g]
P-LFQFP80-12x12-0.50	PLQP0080KB-B	-	0.5



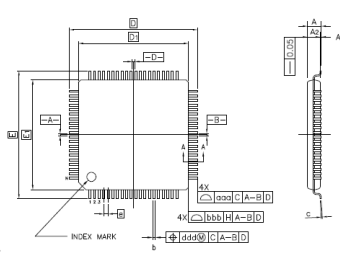
(UNIT: mm)

ITEM	DIMENSIONS
D	12.00±0.20
E	12.00±0.20
HD	14.00±0.20
HE	14.00±0.20
A	1.60 MAX.
A1	0.10±0.05
A2	1.40±0.05
A3	0.35
b	0.22±0.05
c	0.145 <sup>0.055</sup> <sub>0.045</sub>
L	0.50
Lp	0.60±0.15
L1	1.00±0.20
θ	3°~5°
θ	0°
x	0.08
y	0.08
ZD	1.25
ZE	1.25

NOTE:  
1. DIMENSIONS "1" AND "2" DO NOT INCLUDE MOLD FLASH.  
2. DIMENSION "3" DOES NOT INCLUDE TRIM OFFSET.  
3. PIN 1 VISUAL INDEX FEATURE MAY VARY, BUT MUST BE LOCATED WITHIN THE HATCHED AREA.  
4. CHAMFER AT CORNERS ARE OPTIONAL. SIZE MAY VARY.

PLQP0080KJ-A

JEITA Package code	RENESAS code	MASS(TYP.) [g]
P-LFQFP80-12x12-0.50	PLQP0080KJ-A	0.49



Reference Symbol	Dimension in Millimeters		
	Min.	Nom.	Max.
A	-	-	1.60
A1	0.05	-	0.15
A2	1.35	1.40	1.45
D	-	14.00	-
E	-	12.00	-
E1	-	12.00	-
N	-	80	-
e	-	0.50	-
b	0.17	0.22	0.27
c	0.09	-	0.20
θ	0°	3.5°	7°
L	0.45	0.60	0.75
L1	-	1.00	-
aaa	-	-	0.20
bbb	-	-	0.20
ccc	-	-	0.08
ddd	-	-	0.08

CG SEMI KL Symbol	12x12mm 80pin LFQFP PLQP0080KE-A			BJ ASEKH Symbol	12x12mm 80pin LFQFP PLQP0080KB-B			Greatek Symbol	12x12mm 80pin LFQFP PLQP0080KJ-A		
	Dimension in Millimeters				Dimension in Millimeters				Dimension in Millimeters		
	Min	Nom	Max		Min	Nom	Max		Min	Nom	Max
A	-	-	1.60	A	-	-	1.70	A	-	-	1.60
A1	0.05	0.10	0.15	A1	0.05	-	0.15	A1	0.05	-	0.15
A2	1.35	1.40	1.45	A2	-	1.40	-	A2	1.35	1.40	1.45
HD	13.80	14.00	14.20	HD	13.80	14.00	14.20	D	-	14.00	-
D	11.80	12.00	12.20	D	11.90	12.00	12.10	D1	-	12.00	-
HE	13.80	14.00	14.20	HE	13.80	14.00	14.20	E	-	14.00	-
E	11.80	12.00	12.20	E	11.90	12.00	12.10	E1	-	12.00	-
-	-	-	-	-	-	-	-	N	-	80	-
e	-	0.50	-	e	-	0.50	-	e	-	0.50	-
b	0.17	0.22	0.27	bp	0.15	0.20	0.27	b	0.17	0.22	0.27
c	0.10	0.145	0.20	c	0.09	-	0.20	c	0.09	-	0.20
θ	0°	3.0°	8°	θ	0°	3.5°	8°	θ	0°	3.5°	7°
Lp	0.45	0.60	0.75	Lp	0.45	0.60	0.75	L	0.45	0.60	0.75
L1	0.80	1.00	1.20	L1	-	1.00	-	L1	-	1.00	-
-	-	-	-	-	-	-	-	aaa	-	-	0.20
-	-	-	-	-	-	-	-	bbb	-	-	0.20
y	-	-	0.08	y	-	-	0.08	ccc	-	-	0.08
x	-	-	0.08	x	-	-	0.08	ddd	-	-	0.08



■ Lead frame

Package Section and die pad shape are reference examples.

There is no impact on the reliability by die pad shape

Assembly factory	PKG cross section	Die pad shape
Additional		 CG SEMI
Existing		 BJ  Greatek / ASEKH / KL











■ Marking specifications and Marking photos (Visibility)

Marking position, characters, and characters size are examples for reference.

Assembly factory	CG SEMI (Additional)	KL (Existing)	BJ (Existing)	Greatek (Existing)	ASEKH (Existing)
64pin Blank products		/			
	7 characters: Renesas Logo 9 characters: product name 7 characters: Lot No		9 characters: product name 7 characters: Lot No	9 characters: product name 7 characters: Lot No	9 characters: product name 7 characters: Lot No

Assembly factory	CG SEMI (Additional)	KL (Existing)	BJ (Existing)	Greatek (Existing)	ASEKH (Existing)
80pin Blank products					
	7 characters: Renesas Logo 9 characters: product name 7 characters: Lot No	9 characters: product name 9 characters: Lot No	9 characters: product name 7 characters: Lot No	9 characters: product name 7 characters: Lot No	9 characters: product name 7 characters: Lot No

Assembly factory	CG SEMI (Additional)	KL (Existing)	BJ (Existing)	Greatek (Existing)	ASEKH (Existing)
100pin Blank products		/			
	7 characters: Renesas Logo 9 characters: product name 7 characters: Lot No		9 characters: product name 7 characters: Lot No	9 characters: product name 7 characters: Lot No	9 characters: product name 7 characters: Lot No

Assembly factory	CG SEMI (Additional)	KL (Existing)	BJ (Existing)	Greatek (Existing)	ASEKH (Existing)
Overall photo					
Enlarged photo					

■ 4M changing points

Item	Check Result	Judgement
<b>Machine</b>	The machines are equivalent to present machines.	No risk
<b>Method</b>	The same as current products.	No risk
<b>Man</b>	Certified workers at the factory will perform the work.	No risk
<b>Material</b>	Only materials approved by each site will be used. We have conducted reliability tests on the finished products equivalent to existing products and confirm that there are no issues.	No risk