

General Description



The EL4511 demo board is designed for demonstrating the operation of Elantec's super sync separator. The

user can evaluate the demo board with or without the software interface. For a detailed description, please refer to the data sheet.

On the board, the power pins V_{CCD} , V_{CCA1} , and V_{CCA2} are connected together as V_{CC} . C_1 and C_2 are 0.1 μ F ceramic small signal bypass capacitors for those pins. C_6 is a 4.7 μ F Tantalum power bypass capacitor.

H_{IN} , $SYNCIN$, and V_{IN} are the three line sync signal inputs. For YUV or RGB applications, Y or G should be connected to $SYNCIN$ input. For applications with separate horizontal and vertical sync inputs, these should be connected to the H_{IN} and V_{IN} pins. Composite video input signals should be connected to $SYNCIN$ pin. R_8 is 75 Ω termination resistor and C_3 is 0.1 μ F AC coupling capacitor. R_{11} is 10k Ω pull up resistor to enable the chip when the switch is close.

The LEVEL pin indicates 2X the amplitude of the sync tip vs back porch. Logic high at the SYNCLOCK pin indicates the sync has locked to the line rate. SYNCOUT, BACKPORCH, V_{OUT} , H_{OUT} , ODD/EVEN, and VBLANK are the logic outputs for the sync separator.

X1 is a 32.768kHz crystal. The XTAL and XTALN pins are the crystal input and output pins. By default setting, the crystal oscillator is disabled (Reg9, bit6 is 0). The Mode control bits in Reg1 and the sample cut-off mode in Reg2 are overridden by the values on XTAL pin and XTALN pin. See Table 1 for operation details. Switches S_2 , S_3 can be used to change the states at those two pins.

SDENB, SCL, and SDA are the three line serial interface pins.

Driver Section

The SN74ACT1284 chip is used to increase the logic signals from the parallel port and the EL4511 chip. R_1 , R_2 , and R_3 are the pull-up resistors. R_5 , R_6 , and R_7 are 1k Ω resistors to protect the inputs of EL4511's serial interface pins. R_4 is 499 Ω from the PC ground to the demo board ground.

Software Control

The EL4511 demo board uses the supplied Visual Basic executable file and the parallel port to write and read the data stream for serial interface. Please refer to the data sheet for a detailed description of the logic table and the timing diagram. From the EL4511 Driver disk, copy the EL4511.exe to your window desktop. If your operating system is Win98, copy the files "ntport.dll" and "zntport.sys" to C:\windows\system. If your operating system is Win2000, Windows XP, or Windows NT, just copy the files "ntport.dll" and "zntport.sys" to C:\winnt\system32. To open the program, just double-click the EL4511.exe icon. A control panel appears (see Figure 1.) From the panel, the user can write data to register 1, 2, 3, 4, 5, 6, 9, and 10 and read data from register 1, 2, 3, 4, 5, 6, 7, 8, 9, 10, 13, 14, 15, and 16 individually.

Evaluation Instructions

Evaluate with the crystal oscillator is disabled.

1. Apply 5V to V_{CC} , $PC_{V_{CC}}$.
2. Set the states for XTAL and XTALN pins, which depends on the test signals. See Table 1.
3. Apply the test video signal to the inputs: $SYNCIN$ for composite video signal; for separate horizontal and vertical sync inputs, these should be connected to H_{IN} and V_{IN} respectively.
4. Check that SYNCLOCK pin is held high continuously.
5. Measure the DC level at the LEVEL. It should be $\sim 2X$ the sync tip amplitude ($\sim 560mV$ for NTSC/PAL).
6. Confirm operations of all sync separator outputs.
7. Load the EL4511.exe program and connect the parallel port from your computer to the demo board. Write data to or read data from the registers.

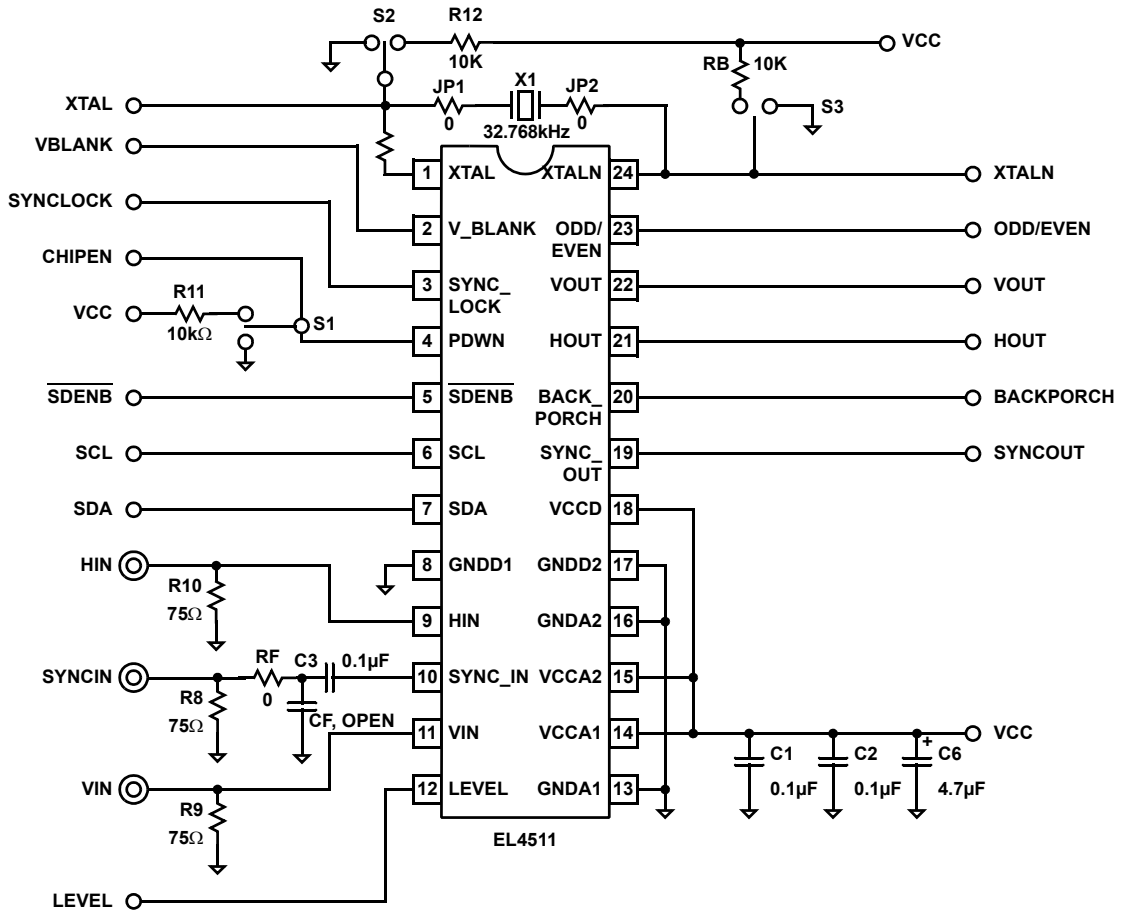
Evaluate with the crystal oscillator is enabled.

1. Apply 5V to V_{CC} , PC_{VCC} .
2. Apply the test video signal to the inputs: SYNCIN for composite video signal; for separate horizontal and vertical sync inputs, these should be connected to H_{IN} and V_{IN} respectively.
3. Load the EL4511.exe program and connect the parallel port from your computer to the demo board. Set bit6 in Reg9 to high to enable the crystal oscillator. Program the registers.
4. Check that SYNCLOCK pin is held high continuously.
5. Measure the DC level at the LEVEL. It should be ~2X the sync tip amplitude (~560mV for NTSC/PAL).
6. Confirm operations of all sync separator outputs.

TABLE 1. MODE DECODE

ENXTAL REG9 (BIT 6)	XTAL PIN 1	XTALN PIN 24	MODE CONTROL REG1 (BIT 5:3)	SAMPLE CUT-OFF REG2 (BIT 0)	DESCRIPTION (CRYSTAL OSCILLATOR)
1	X	X	Reg1 (5:3)	Reg2 (0)	Enabled, normal operation
0	0	0	0 0 0	0	Disabled, all signal types allowed
0	0	1	0 1 1	0	Disabled, tri-level only
0	1	0	1 0 1	1	Disabled, bi-level only
0	1	1	1 1 1	1	Disabled, H_{IN} only

EL4511 Demo Board



DRIVER SECTION

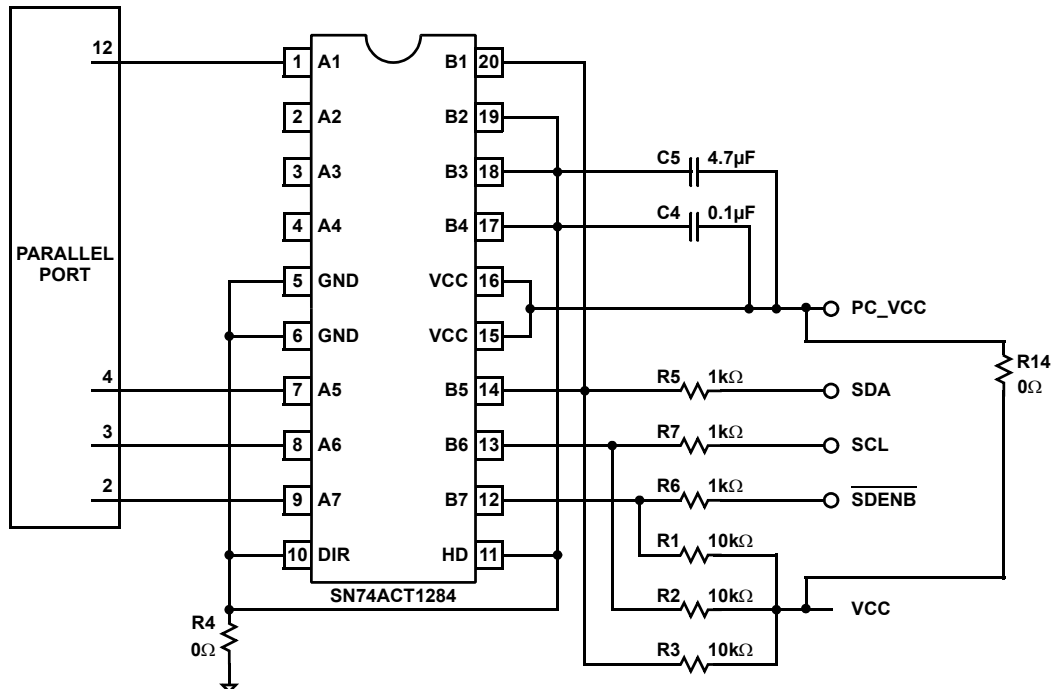




FIGURE 1. WINDOWS CONTROL PANEL

All Intersil U.S. products are manufactured, assembled and tested utilizing ISO9000 quality systems.
 Intersil Corporation's quality certifications can be viewed at www.intersil.com/design/quality

Intersil products are sold by description only. Intersil Corporation reserves the right to make changes in circuit design, software and/or specifications at any time without notice. Accordingly, the reader is cautioned to verify that data sheets are current before placing orders. Information furnished by Intersil is believed to be accurate and reliable. However, no responsibility is assumed by Intersil or its subsidiaries for its use; nor for any infringements of patents or other rights of third parties which may result from its use. No license is granted by implication or otherwise under any patent or patent rights of Intersil or its subsidiaries.

For information regarding Intersil Corporation and its products, see www.intersil.com