

RL78/I1C (512KB) Fast Prototyping Board Schematic

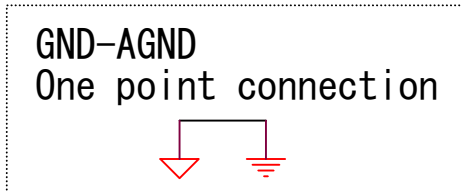
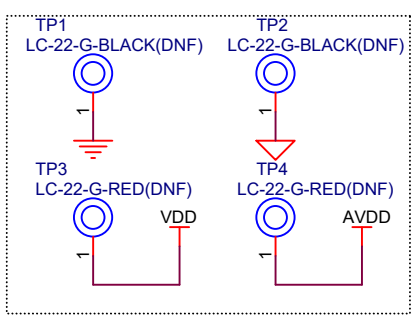
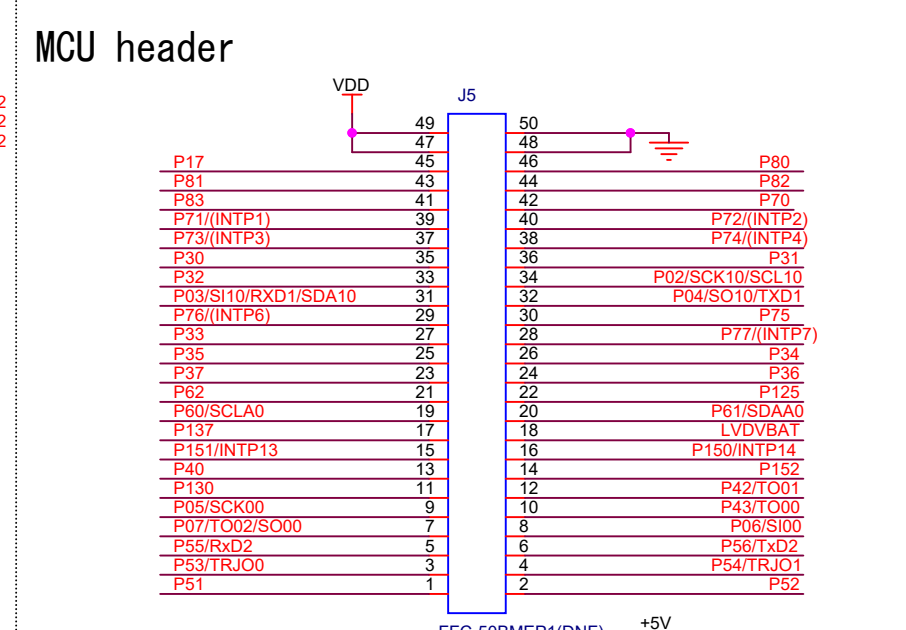
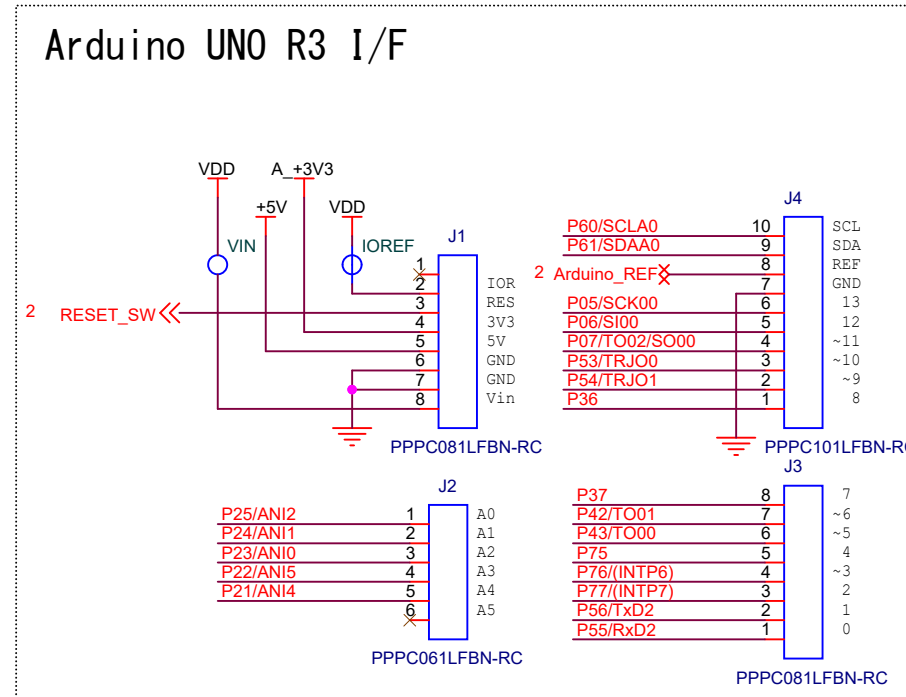
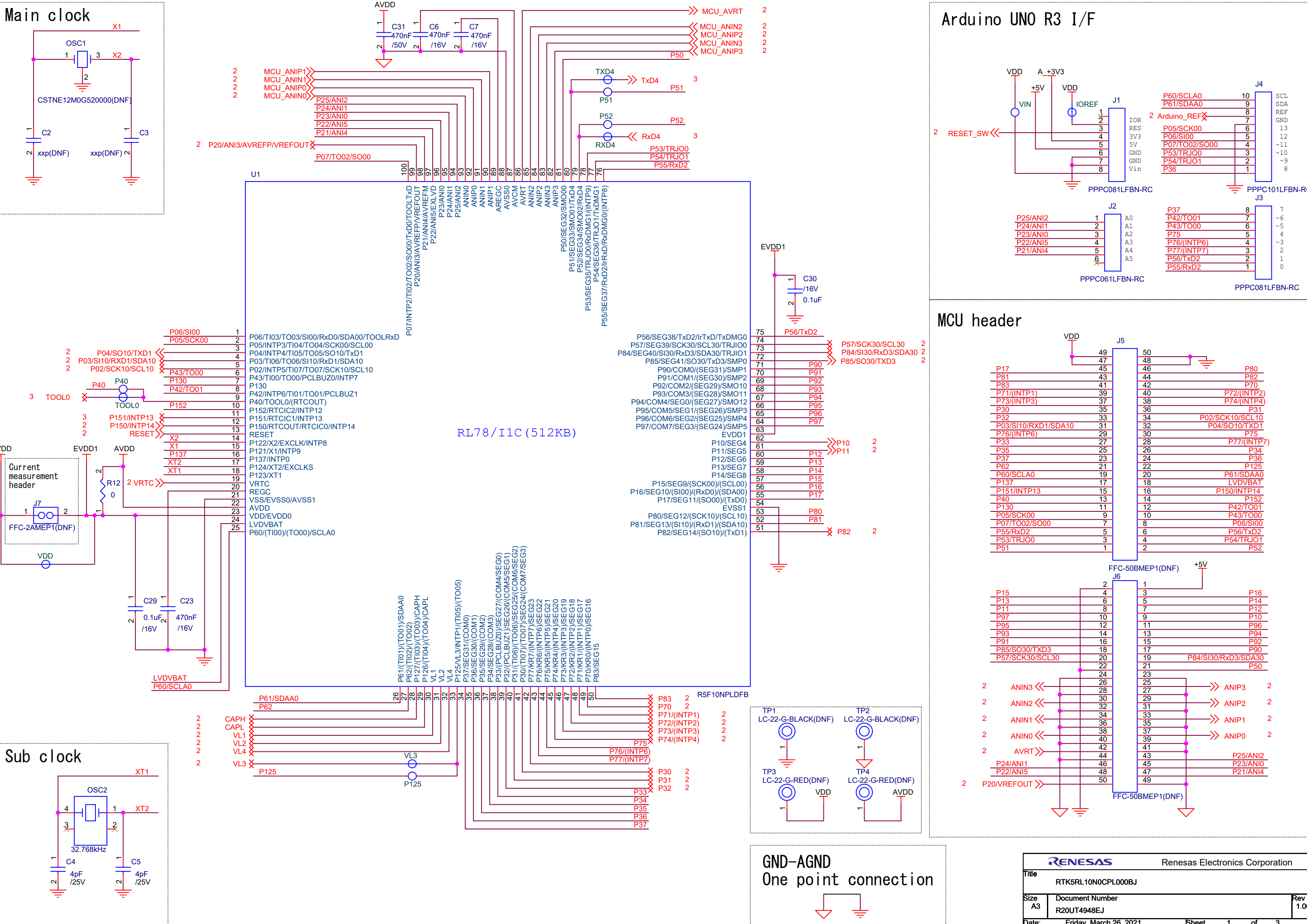
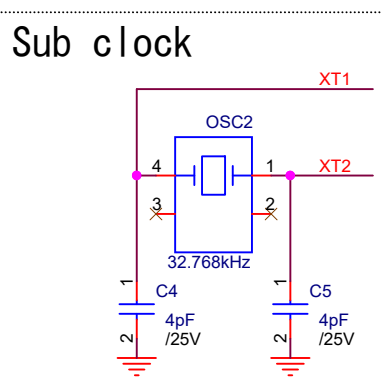
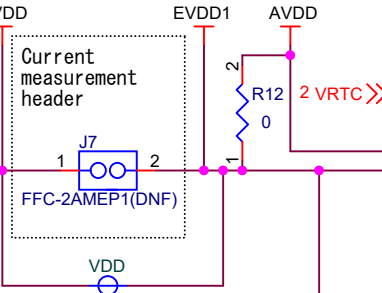
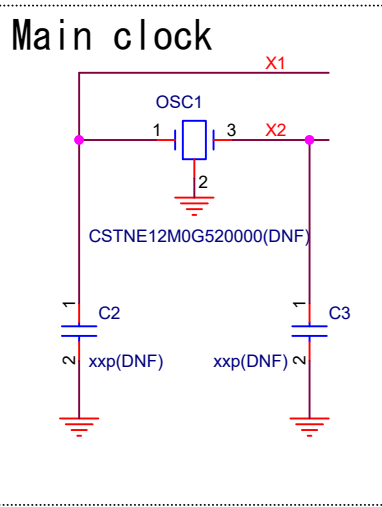
Product No:RTK5RL10N0CPL000BJ

Document No:R20UT4948EJ Rev 1.00

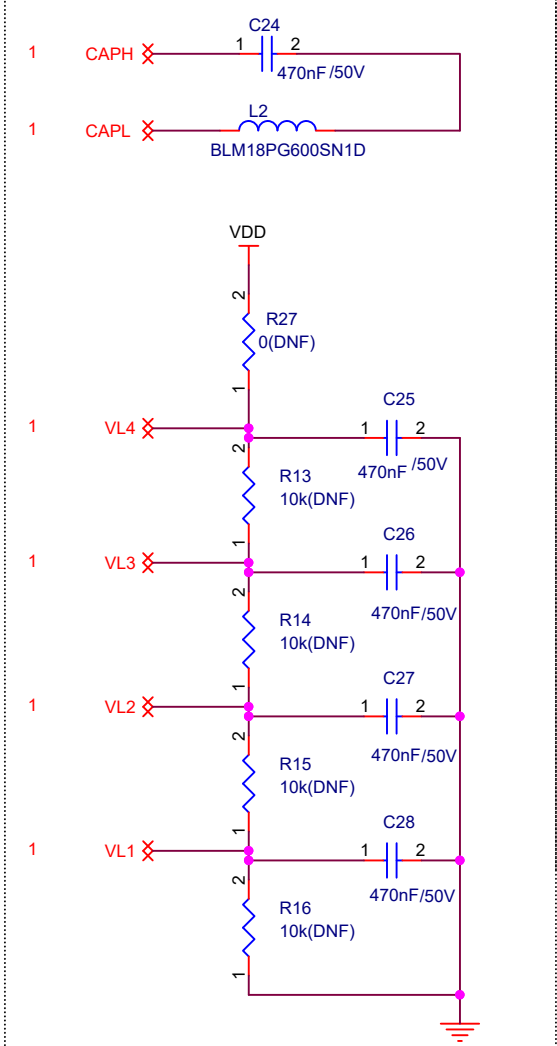
Page 1 : CPU, Arduino UNO R3 I/F, MCU Header, OSC

Page 2 : Pmod I/F, LED, SW, VREFOUT etc.

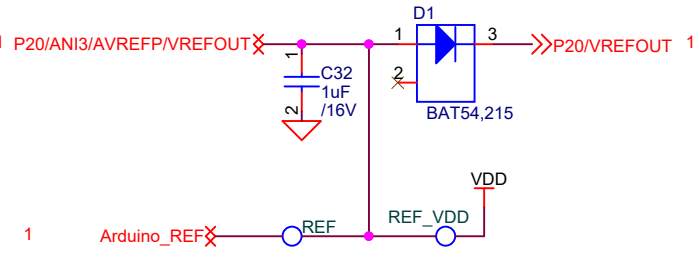
Page 3 : LDO, Select SW



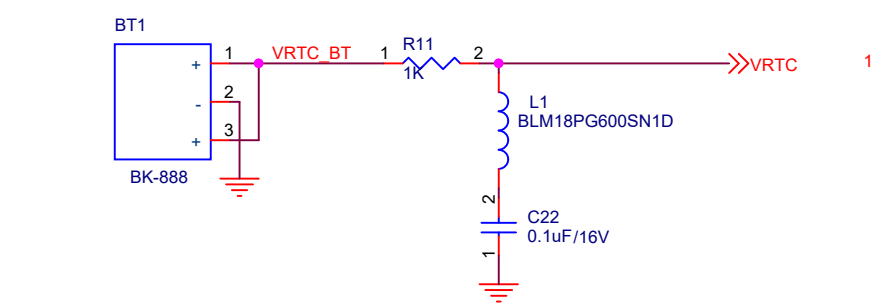
### LCD CONFIGURATION CIRCUITRY



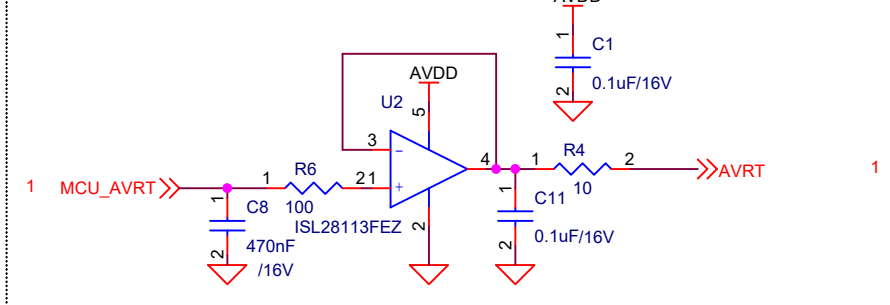
### VREFOUT



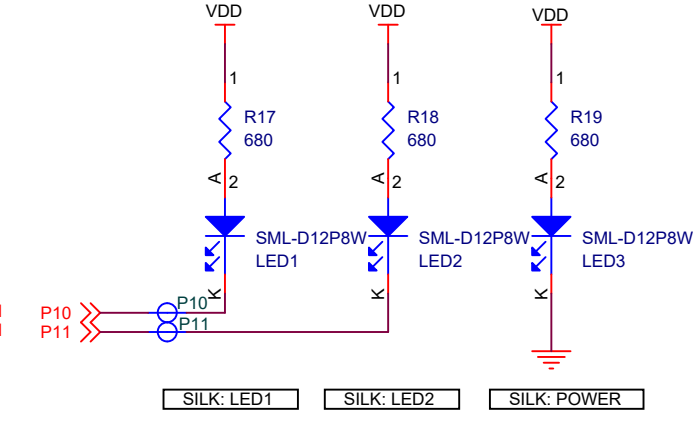
### Coin cell battery



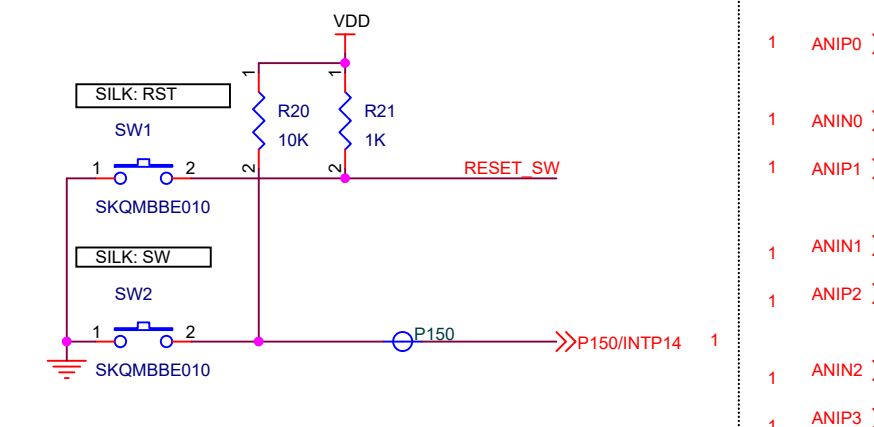
### AVRT



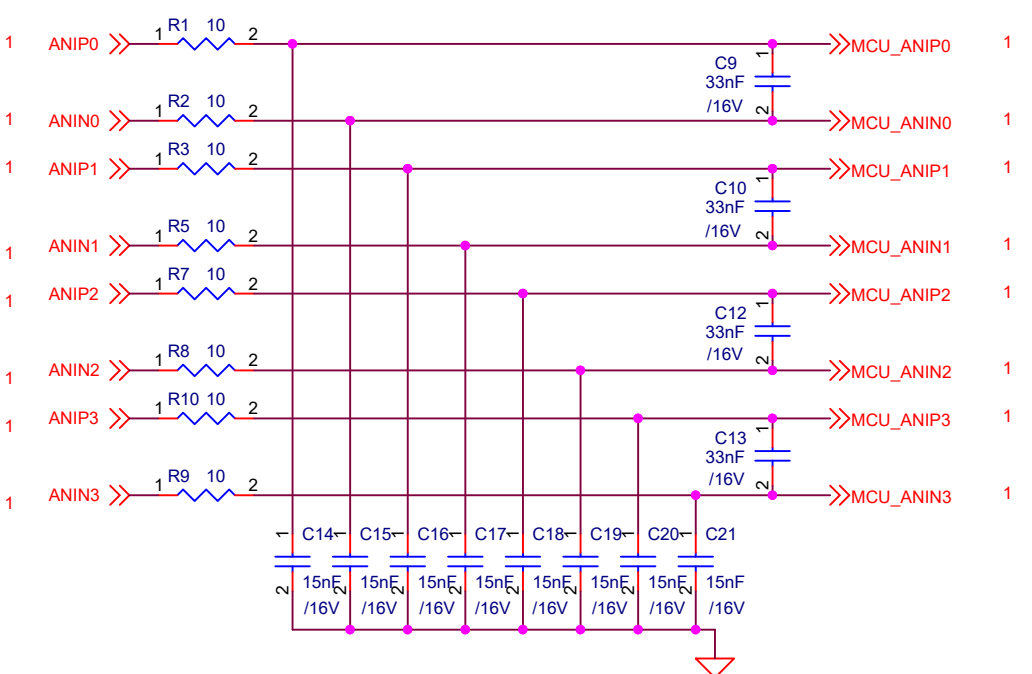
### LED



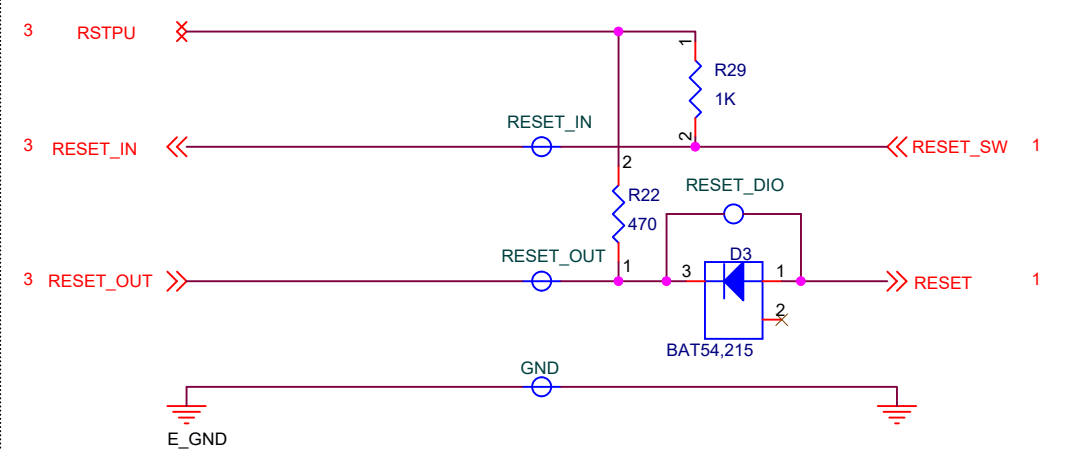
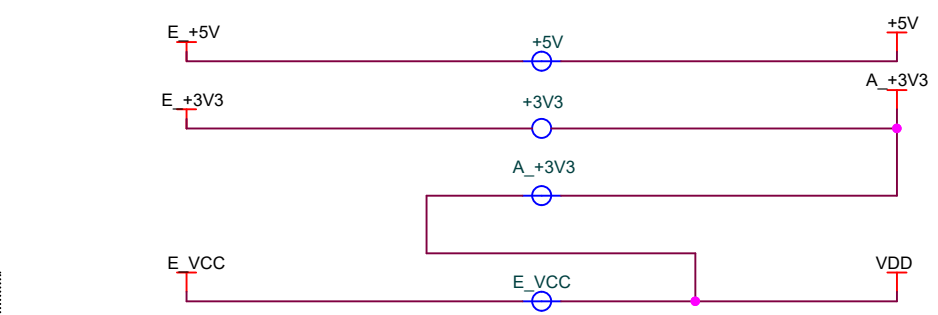
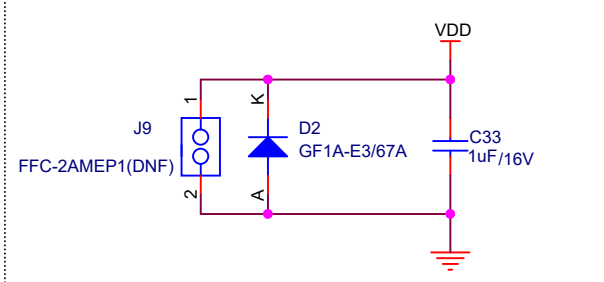
### SW



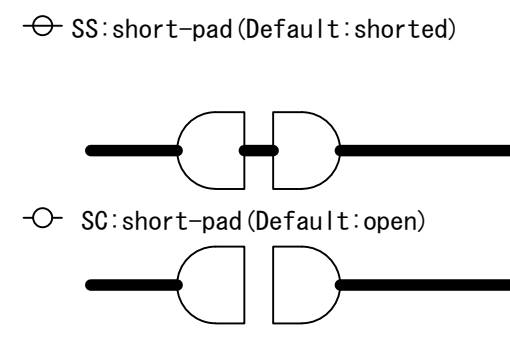
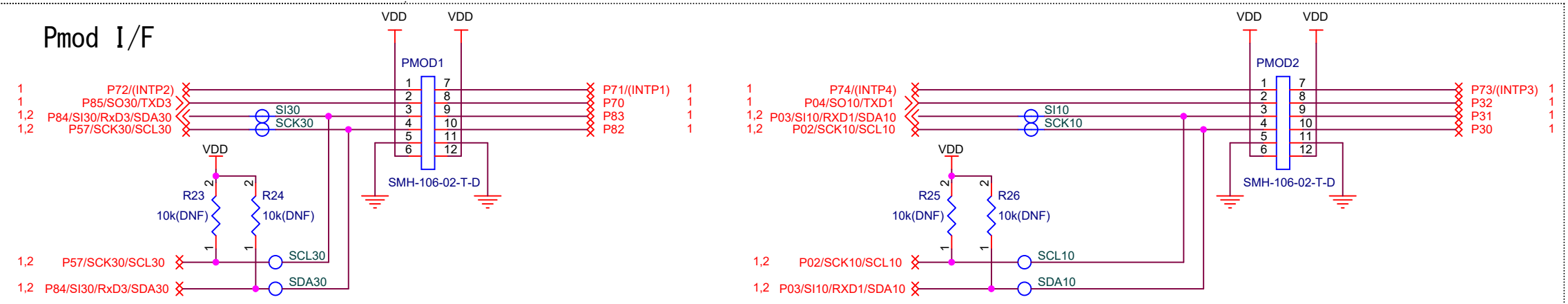
### Antialiasing filter



### External power-supply header



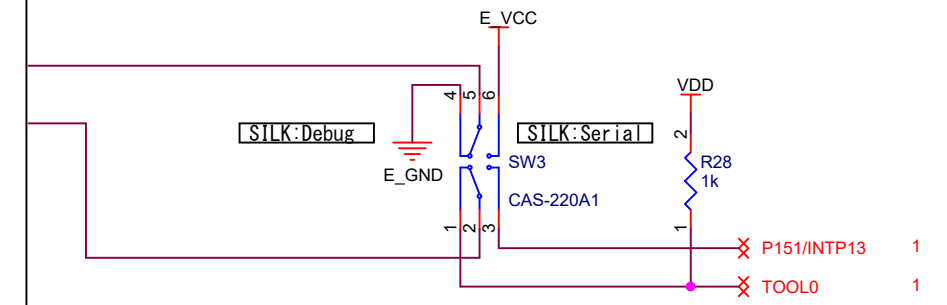
### Pmod I/F



Shielded the line by GND  
 X1, X2, XT1, XT2, RESET, RESET\_SW  
 Thicken the power line  
 VDD, AVDD, EVDD2, REGC, +5V, VIN, AREGC, A\_+3V3, E\_VCC, E\_+5V, VIN, E\_VBUS, E\_+3V3, VRTC, VRTC\_BT  
 Shield the line with AGND as twisted pair  
 MCU\_ANIPx - MCU\_ANINx, ANIPx - ANINx

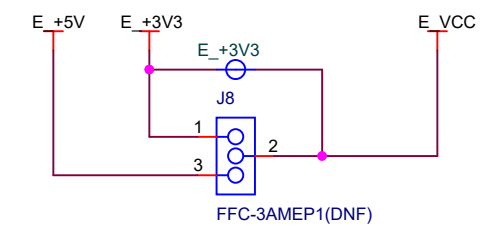
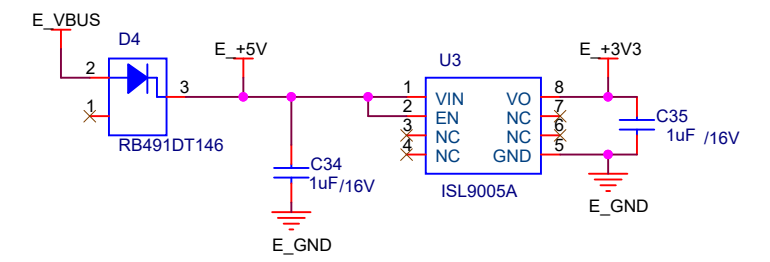
<b>RENESAS</b>		Renesas Electronics Corporation	
Title RTK5RL10N0CPL000BJ			
Size A3	Document Number R20UT4948EJ		Rev 1.00
Date: Friday, March 26, 2021	Sheet 2 of 3		

# Renesas Confidential Emulator Circuit



Select SW(SW3)

SW Position	MODE
1Pin	Debug/Programming
3Pin	Serial



1-2Short : VDD=3.3V  
 2-3Short : VDD=5.0V (VBUS)  
 (E\_+3V3 PAD=CUT)  
 OPEN : VDD=3.3V (Default)