

Introduction

The HA-5020 is a low cost single amplifier optimized for RGB video applications and gains between 1 and 10. It is a current feedback amplifier; thus it yields less bandwidth degradation

at high closed loop gains than voltage feedback amplifiers.

The HA-5020 also features a disable function that significantly reduces supply current while forcing the output to a true high impedance state. The macromodel for the HA-5020 is PSPICE (registered trademark of MicroSim Corp.) compatible, and may be compatible with other simulation programs as well. The model file is in ASCII format and may be viewed/edited with any text editor.

All models require a trade-off between accuracy and complexity (simulation time). Intersil's models emulate the nominal performance of a typical device, and are designed to match the typical performance curves in the device data sheet.

SPICE simulations should not be considered a substitute for breadboarding a circuit; rather, they should be used to select preliminary component values and to verify the validity of a design approach.

Do not rely on simulations to predict device performance when deviating from the operating conditions specified in the data sheet (e.g. just because the model works with $\pm 1V$ supplies, don't assume that the actual amplifier does). Instead, refer to the data sheet performance curves, or call the factory for assistance (321-724-7143).

The HA-5020 model is configured as a subcircuit for easy incorporation into larger circuit files. When using PSPICE, call a subcircuit from the top level circuit file by adding a .LIB statement to point to the file containing the subcircuit (e.g. .lib c:\models\ha5020.cir), and by including a subcircuit call of the following form:

```
xname +IN -IN V+ V- OUT ENABLE model name
(e.g. x22 101 111 113 114 112 110 HA5020)
```

Note that the node order in the subcircuit call follows the industry standard, and the order is also documented in the comment section at the beginning of the model file.

Model Description

The macromodel schematic is shown in Figure 1, and the PSPICE listing for the macromodel follows. The model topology consists of three main functional sections: a buffer between the two input pins, an output section between the negative input pin and the output pin, and an enable section.

The topology of the input buffer section is a basic four transistor voltage follower. This configuration was used in order to efficiently model the Enable capability of the amplifier. Additional components are added to this structure in order to model the critical characteristics of the actual amplifier. Of these additional components, some are used to

model both the slew limiting of the negative input and the fractional step feed-through from the positive input to the negative input. Other elements model the voltage and current limiting of the negative input. The bias current of the positive input and the high frequency voltage gain are also accounted for in the input buffer section model.

The output section is a transimpedance amplifier constructed from four stages: current probe, mid stage, frequency transfer, and output drive. The current probe stage monitors the current through the negative input pin and also models the input offset voltage. The mid stage is used for the bias current of the negative input and for power supply gains. This stage is also used to capture the operation of the output transimpedance amplifier while disabled. The frequency transfer block consists of two poles and two zeros for modelling the high frequency open-loop transimpedance gain. The output drive stage accounts for several characteristics including: the output slew limits and resulting transimpedance gain bandwidth product, the saturation delay times, and the voltage and current limiting at the output.

The enable section of the model is used to control certain characteristics of other blocks in the model. This section operates according to the voltage level at the enable input pin and to the status of the output pin. Two characteristics of the output which are controlled by this section are the impedance and slew limiting. The internal bias currents of the input buffer section are also set by the enable section. As a result, high impedance states are achieved at the two input pins whenever the amplifier is disabled.

In addition to the three main functional sections, smaller constructs

and individual components are used to model other important amplifier characteristics. Specifically, one section is used to capture the change in the voltage limits of the output as a function of the current through the negative input. Power supply currents are also modelled with an additional section. At each amplifier pin, several individual components are included to model high frequency impedance characteristics, including any significant package parasitics.

The model is optimized for operation at $\pm 5V$, but it operates over the full range of supply voltages. Beware, the model does not simulate various breakdown conditions such as exceeding the maximum ratings, but it does have input limiting. The model does not include input voltage or current noise, or temperature effects.

The poles and zeros of the transimpedance frequency transfer section have been located with great care to insure that the performance for 3 different inverting and non-inverting gains is matched closely to the curves given in the data sheet. Also, the pole/zero placement insures that the transient response matches that shown in the data sheet.

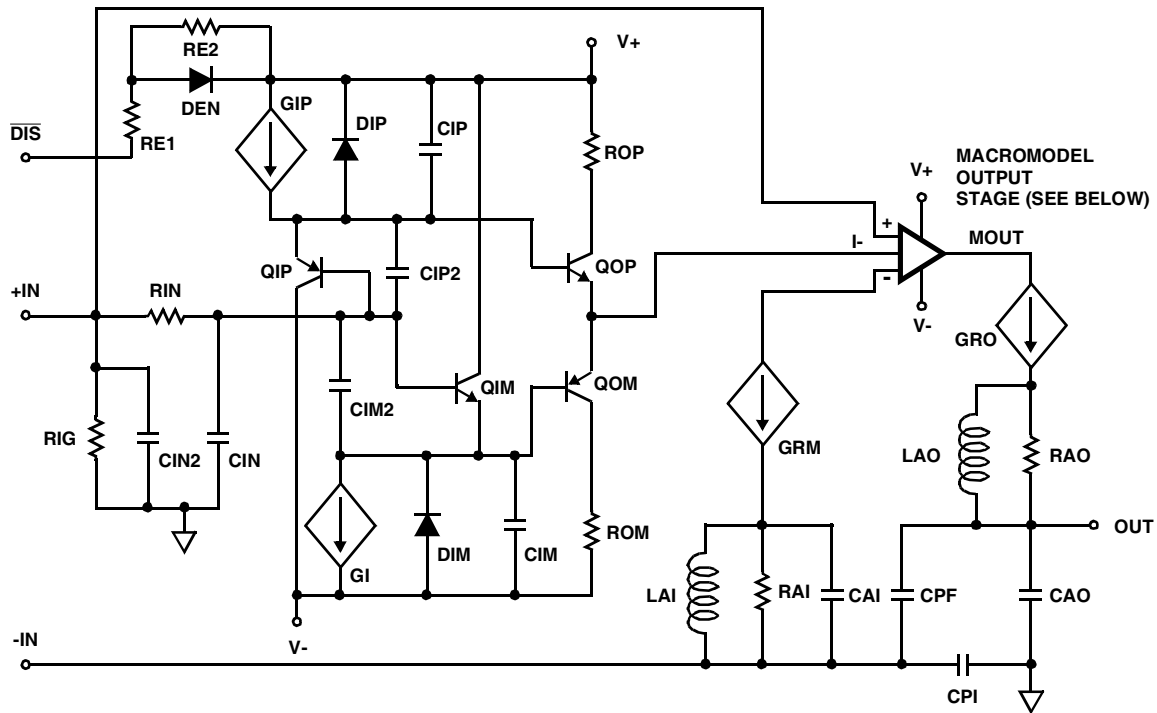


FIGURE 1. HA-5020 AMPLIFIER MACROMODEL SCHEMATIC

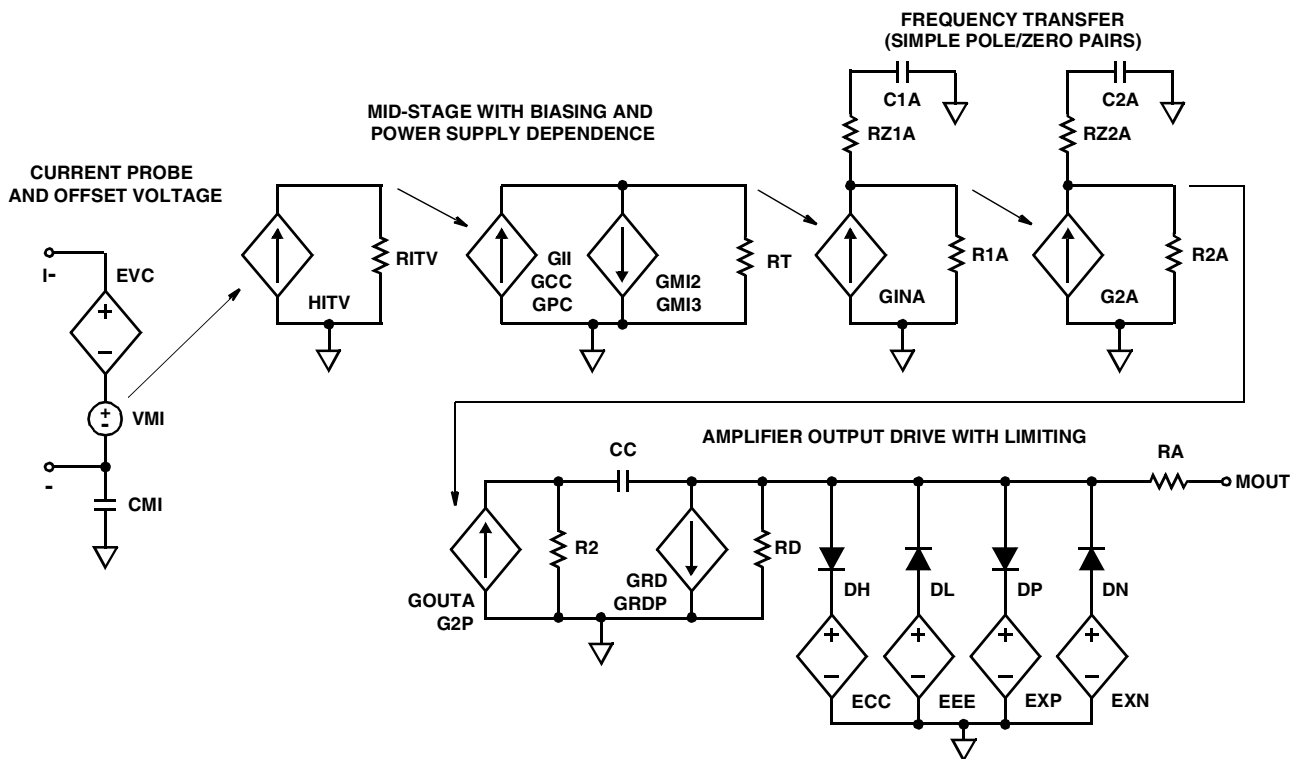


FIGURE 2. HA-5020 MACROMODEL OUTPUT STAGE

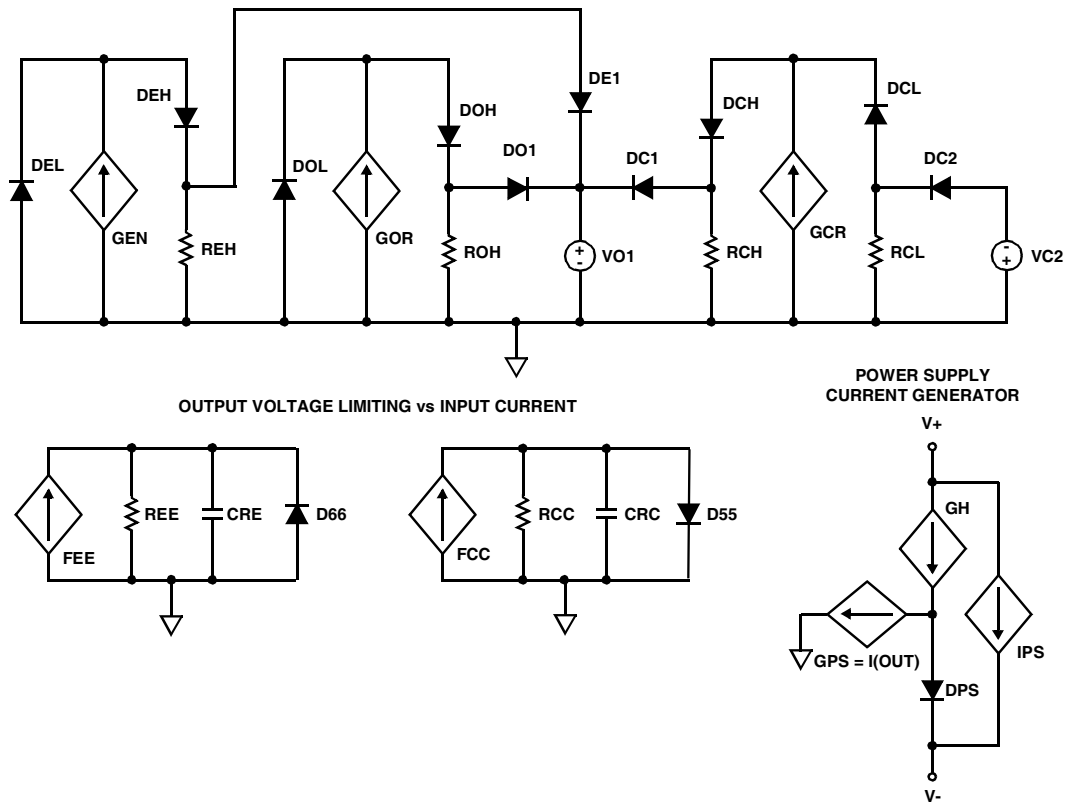


FIGURE 3. HA-5020 MACROMODEL ADDITIONAL SUPPORT

HA-5020 SPICE Macromodel Listing

```
.SUBCKT HA5020 101 111 113 114 112 110
LAO 115 112 250N
RAO 115 112 125
CAO 112 0 4P
LAI 116 111 40N
RAI 116 111 200
CAI 116 111 3P
CPI 111 0 1.5P
CPF 112 111 2.5P
.MODEL QIP PNP IS=1.0E-16 BF=130 NF=2.2
.MODEL QIM NPN IS=1.0E-16 BF=220 NF=2.5
.MODEL QOP NPN IS=1.0E-16 BF=180 NF=2.2
.MODEL QOM PNP IS=1.1E-16 BF=50 NF=2.5
ROP 113 117 +3.50000000E+02
QOP 117 118 119 QOP
CIP2 120 118 +2.73661972E-13
CIP 113 118 +6.70000000E-13
DIP 118 113 DLIM
```

```
GIP 113 118 121 0 +3.35000000E-04
DIPL 114 118 DLIM
QIP 114 120 118 QIP
RIN 101 120 280
CIN2 101 0 .03P
RIG 101 0 +2.60000000E+07
CIN 120 0 .5PF
QIM 113 120 122 QIM
GIM 122 114 121 0 +3.35000000E-04
DIML 122 113 DLIM
DIM 114 122 DLIM
CIM 122 114 +6.29914530E-13
CIM2 120 122 +3.24501425E-13
QOM 123 122 119 QOM
ROM 123 114 +3.50000000E+02
.MODEL DLIM2 D N=.01 IS=1E-10
RE1 110 124 15K
RE2 124 113 15K
DEN 124 113 DEN
.MODEL DEN D BV=+5.26 IBV=1.0E-10
VMI 102 108 +0.00000000E+00
EVC 119 108 POLY 4 101 0 102 0 113 0 114 0 -2.13000009E-03 +3.09210000E-04
++3.09210000E-04 -3.15209991E-04 -3.03210009E-04 0 0 -1.88100000E-06
++1.88100000E-06 0 -1.88100000E-06 +1.88100000E-06 +1.88100000E-06 0
+-1.88100000E-06
CMI 102 0 +1.00000000E-16
HITV 0 125 VMI 1
RITV 125 0 1
GII 0 126 POLY 2 121 0 125 0 0 0 0 -1.97000000E-03
GCC 0 126 POLY 5 121 0 101 0 102 0 113 0 114 0 0 +7.80927711E-09 0 0 0 0
++2.78640749E-11 +2.78640749E-11 +3.49558407E-11 +2.07723091E-11 0 0 0 0 0
+0 0 0 0 0 0 0 0 -1.92087022E-16 +1.92087022E-16 0 -1.92087022E-16
++1.92087022E-16 +1.92087022E-16 0 -1.92087022E-16
RT 126 0 +1.00000000E+00
GPC 0 126 POLY 3 121 0 113 0 114 0 0 0 0 0 +0.00000000E+00 +0.00000000E+00
R1A 127 0 +2.14285714E+03
RZ1A 127 128 -1.14285714E+03
C1A 128 0 +7.95798186E-13
GINA 0 127 126 0 +4.66666667E-04
R2A 129 0 +2.25000000E+03
```

RZ2A 129 130 -1.25000000E+03
C2A 130 0 +3.18319274E-13
G2A 0 129 127 0 +4.44444444E-04
GOUTA 106 0 129 0 -1.00000000E+00
GRD 104 0 106 0 +1.02164070E+01
G2P 0 106 POLY 2 113 0 114 0 0 +3.46573590E-07 +3.46573590E-07
GRDP 104 0 POLY 2 113 0 114 0 0 -5.10970951E+00 -5.10970951E+00
R2 106 0 +1.44269504E+06
CC 106 104 +1.00000000E-14
RD 104 0 +3.32000000E+02
RA 104 109 +8.00000000E+00
DH 104 100 DH +1.00000000E+00
DL 131 104 DL +1.00000000E+00
.MODEL DH D IS=+2.16387643E-14 N=.2
.MODEL DL D IS=+6.45488179E-15 N=.2
ECC 100 0 POLY 2 113 0 132 0 -1.10000000E+00 1 1
EEE 131 0 POLY 2 114 0 133 0 +1.13500000E+00 1 1
FCC 0 132 POLY 1 VMI -1.30520000E-04 +1.30000000E-01
RCC 132 0 1K
CRC 132 0 +1.00000000E-10
D55 132 0 DLIMVO
FEE 0 133 POLY 1 VMI +2.19120000E-04 +2.20000000E-01
REE 133 0 1K
CRE 133 0 +1.00000000E-10
D66 0 133 DLIMVO
.MODEL DLIMVO D N=.01 IS=1E-20
DP 104 134 DCL +1.00000000E+00
EXP 134 0 POLY 2 104 0 109 0 0 -1.75393075E-01 +1.17421768E+00
DN 107 104 DCL +1.00000000E+00
EXN 107 0 POLY 2 104 0 109 0 0 +8.82115687E-02 +9.09643047E-01
.MODEL DCL D IS=1E-9 N=1
IPS 113 114 +5.78000000E-03
GPS 135 0 104 109 +1.25000000E-01
GH 113 135 POLY 1 135 114 +1.52098765E-02 -3.04197531E-02 +2.28148148E-02
+7.60493827E-03 +9.50617284E-04
DPS 135 114 DPS
.MODEL DPS D IS=1E-16 N=+3.40657494E+00
GEN 0 136 POLY 3 110 0 113 0 114 0 +4.00000000E+00 +1.00000000E+00
+1.00000000E+00 +0.00000000E+00
DEH 136 121 DLIM

```
REH 121 0 1K
DE1 121 137 DLIM
VO1 137 0 0.99
DEL 0 136 DLIM
.MODEL DLIM D N=.01 IS=1E-20
GRM 102 116 POLY 2 102 116 121 0 0 0 0 0 +1.42857143E+01
GMI2 126 0 POLY 2 104 0 121 0 0 +2.04356846E-10 0 0 -2.04356846E-10
GOR 0 138 POLY 3 109 0 115 0 121 0 -6.40000000E-01 0 0 +1.28000000E+00 1 -2
+0 1
DOH 138 139 DLIM
ROH 139 0 1K
DO1 139 137 DLIM
DOL 0 138 DLIM
GRO 109 115 POLY 2 109 115 139 0 0 0 0 0 +1.25000000E+01
GCR 0 140 POLY 3 0 140 121 0 104 109 0 0 0 +1.25000000E+01 0 100
DCH 140 141 DLIM
RCH 141 0 +8.00000000E+04
DC1 141 137 DLIM
DCL 142 140 DLIM
RCL 142 0 +8.00000000E+04
DC2 143 142 DLIM
VC2 0 143 0.99
GMI3 126 0 POLY 3 121 0 141 0 0 142 0 0 -1.10000000E-08 +1.60000000E-08 0
++1.10000000E-08 -1.60000000E-08
.ENDS HA5020
```

HA-5020 Macromodel Performance

Intersil application note AN9523 titled "Evaluation Programs For SPICE Op Amp Models" was used as a guideline for evaluating the HA-5020 performance. Figure 4 shows the non-inverting AC transfer function. In the gain of one configuration the peaking is 2.5dB versus the 3.2dB of peaking shown in the data sheet. The -3dB bandwidth is 125MHz in both cases. This is quite good correlation between the model and the data sheet. Similarly, the non-inverting gains of 2 and 10 closely match the data sheet transfer functions. In all cases the data sheet conditions were met during the SPICE analysis; i.e., $R_F = 1k\Omega$, $R_L = 400\Omega$, $V_{SUPPLY} = \pm 5V$, and $C_L = 10pF$. The inverting AC transfer function is shown in Figure 5. Notice that in the gain of -1 configuration the peaking is 0.5dB versus the 1.5dB of peaking shown on the data sheet, and that the gain of -2 and -10 curves match those shown in the data sheet. Again the correlation between the model and the data sheet is quite good. The small signal pulse response is shown in Figure 6 and the rise time, fall time, propagation delay, and time domain peaking can be read off this waveform.

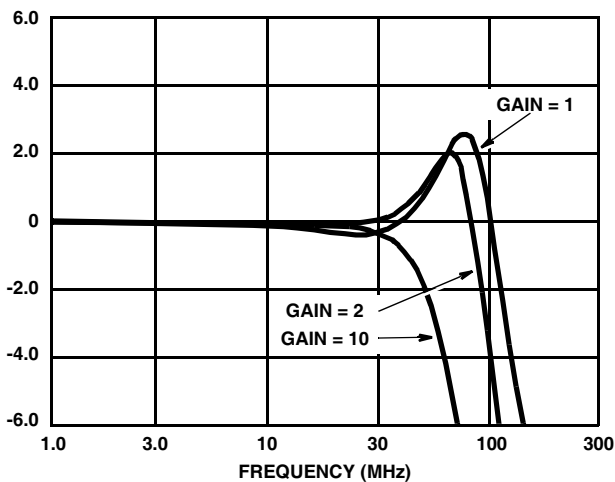


FIGURE 4. HA-5020 NON-INVERTING OP AMP AC TRANSFER FUNCTION

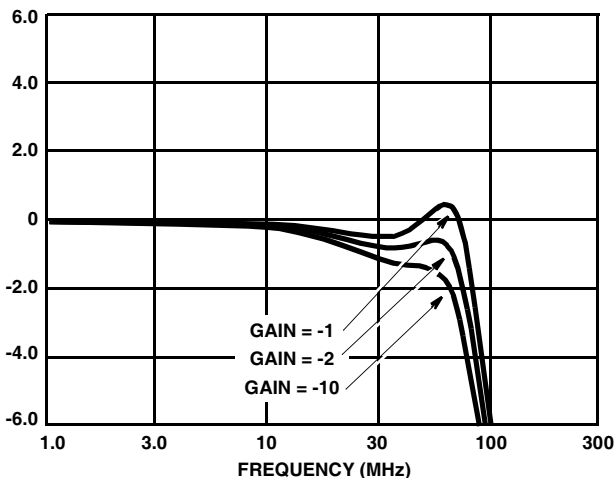


FIGURE 5. HA-5020 INVERTING OP AMP AC TRANSFER FUNCTION

The common mode rejection ratio is obtained through the use of two identical amplifiers and the equation $CMRR = \frac{\text{common mode input voltage}}{\text{differential input voltage}}$ for a constant output voltage (see Figure 7). The input for this test is chosen as a 2V square wave. This enables the evaluation of the worst case CMRR.

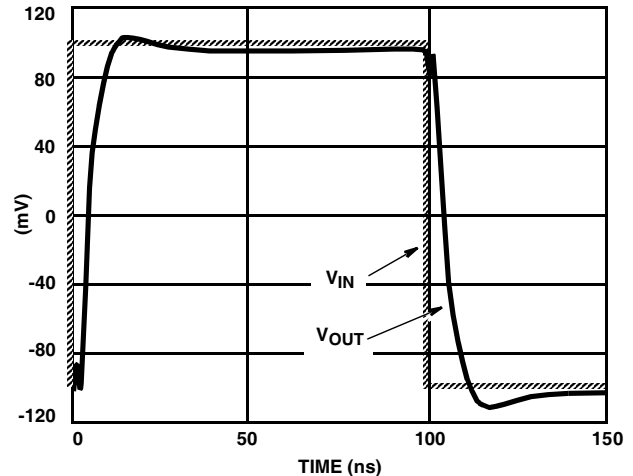


FIGURE 6. HA-5020 SMALL SIGNAL PULSE RESPONSE

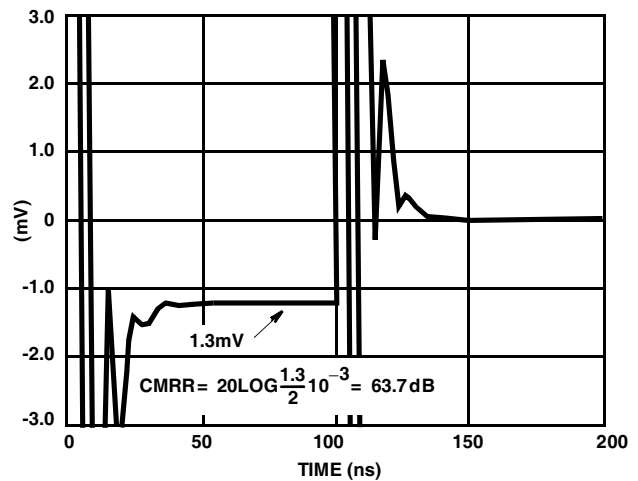


FIGURE 7. HA-5020 CMRR

Figures 8, 9, and 10 show the salient DC parameters for the HA-5020. The input signal for this test is a DC sweep which enables the evaluation of parameters around zero. The response to a stimulus on the DIS input is shown in Figure 11 on page 8. The op amp is configured as a non-inverting follower circuit with a DC input of 2V. The DIS pin voltage is switched from ground to VCC to switch the op amp on and off. The slower turn-off time is seen in the figure along with the much faster turn-on time.

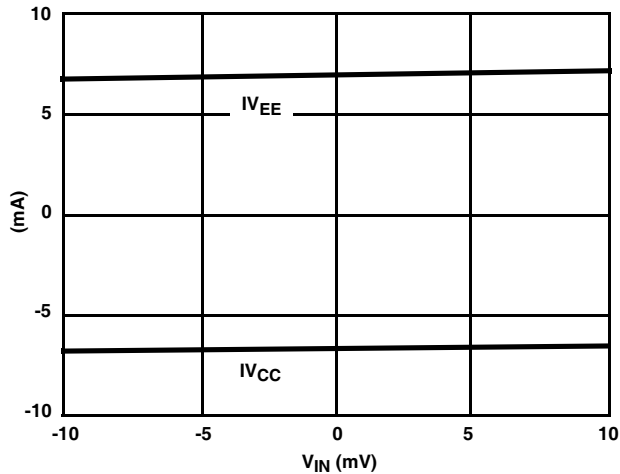


FIGURE 8. HA-5020 POWER SUPPLY CURRENT DRAIN

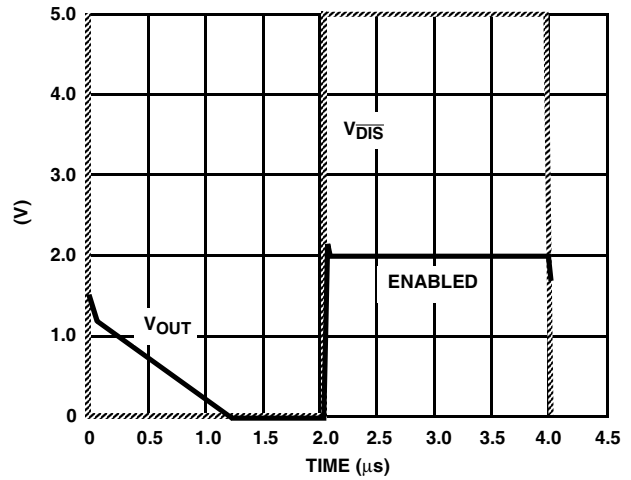


FIGURE 11. HA-5020 ENABLE/DISABLE RESPONSE TIME

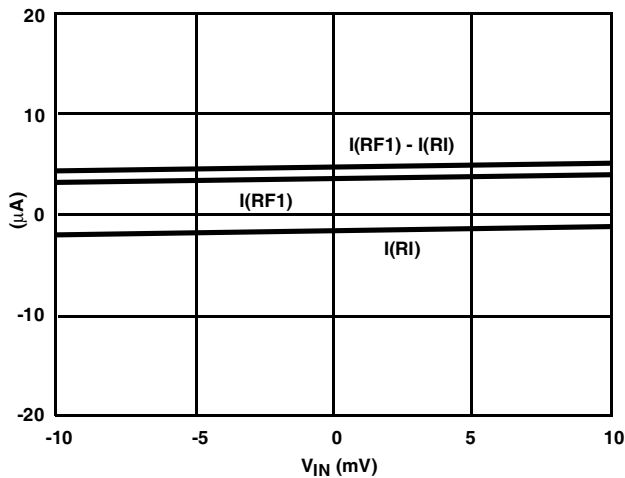


FIGURE 9. HA-5020 INPUT CURRENT

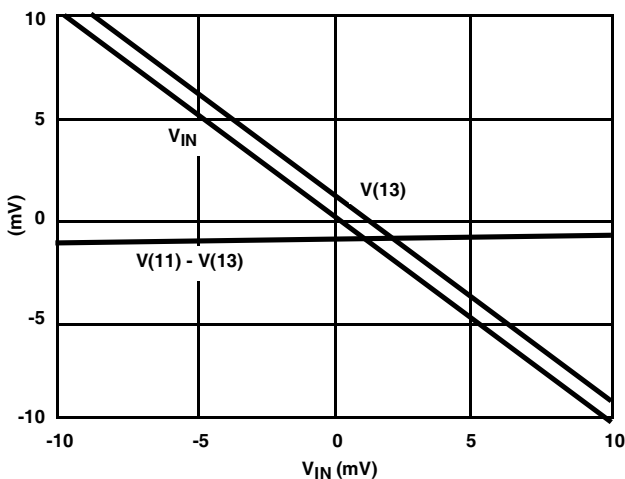


FIGURE 10. HA-5020 INPUT OFFSET VOLTAGE

Summary

The macromodel performs well for both the DC and AC parameters. It is a fraction of a dB off for some AC tests, but this is acceptable for an approximation. At least the model has peaking where the op amp has peaking, and the response for different gains is modeled correctly. The model is just an approximation! It cannot predict performance to a few percent; especially when one considers that the circuit layout parameters have such a large effect on high frequency performance. The model will not predict the actual performance in many circumstances such as non-linearities, limits of performance, or extended range operation. Only testing will confirm performance out of the normal operating range, and all circuits should be tested to confirm the model's predictions.

License Statement

The information in these SPICE macromodels (models) is protected by the United States copyright laws. Intersil Corporation (Intersil) hereby grants users of these models, herein referred to as licensee, a nonexclusive, nontransferable license to use these models as long as the licensee abides by the terms of this agreement. Before using the models, the licensee should read this license and accept the terms.

The licensee may not sell, loan, rent, lease, or license the models, in whole, in part, or in modified form, to anyone outside the licensee's company. The licensee may modify these models to suit his specific application.

These models are provided "AS IS, WHERE IS, AND WITH NO WARRANTY OF ANY KIND EITHER EXPRESSED OR IMPLIED, INCLUDING BUT NOT LIMITED TO ANY IMPLIED WARRANTIES OF MERCHANTABILITY AND FITNESS FOR A PARTICULAR PURPOSE." In no event will Intersil be liable for special, collateral, incidental, or consequential damages in connection with or arising out of the use of these models. Intersil reserves the right to make changes to the products and the models without prior notice.

Notice

1. Descriptions of circuits, software and other related information in this document are provided only to illustrate the operation of semiconductor products and application examples. You are fully responsible for the incorporation or any other use of the circuits, software, and information in the design of your product or system. Renesas Electronics disclaims any and all liability for any losses and damages incurred by you or third parties arising from the use of these circuits, software, or information.
 2. Renesas Electronics hereby expressly disclaims any warranties against and liability for infringement or any other claims involving patents, copyrights, or other intellectual property rights of third parties, by or arising from the use of Renesas Electronics products or technical information described in this document, including but not limited to, the product data, drawings, charts, programs, algorithms, and application examples.
 3. No license, express, implied or otherwise, is granted hereby under any patents, copyrights or other intellectual property rights of Renesas Electronics or others.
 4. You shall not alter, modify, copy, or reverse engineer any Renesas Electronics product, whether in whole or in part. Renesas Electronics disclaims any and all liability for any losses or damages incurred by you or third parties arising from such alteration, modification, copying or reverse engineering.
 5. Renesas Electronics products are classified according to the following two quality grades: "Standard" and "High Quality". The intended applications for each Renesas Electronics product depends on the product's quality grade, as indicated below.
"Standard": Computers; office equipment; communications equipment; test and measurement equipment; audio and visual equipment; home electronic appliances; machine tools; personal electronic equipment; industrial robots; etc.
"High Quality": Transportation equipment (automobiles, trains, ships, etc.); traffic control (traffic lights); large-scale communication equipment; key financial terminal systems; safety control equipment; etc.
Unless expressly designated as a high reliability product or a product for harsh environments in a Renesas Electronics data sheet or other Renesas Electronics document, Renesas Electronics products are not intended or authorized for use in products or systems that may pose a direct threat to human life or bodily injury (artificial life support devices or systems; surgical implantations; etc.), or may cause serious property damage (space system; undersea repeaters; nuclear power control systems; aircraft control systems; key plant systems; military equipment; etc.). Renesas Electronics disclaims any and all liability for any damages or losses incurred by you or any third parties arising from the use of any Renesas Electronics product that is inconsistent with any Renesas Electronics data sheet, user's manual or other Renesas Electronics document.
 6. When using Renesas Electronics products, refer to the latest product information (data sheets, user's manuals, application notes, "General Notes for Handling and Using Semiconductor Devices" in the reliability handbook, etc.), and ensure that usage conditions are within the ranges specified by Renesas Electronics with respect to maximum ratings, operating power supply voltage range, heat dissipation characteristics, installation, etc. Renesas Electronics disclaims any and all liability for any malfunctions, failure or accident arising out of the use of Renesas Electronics products outside of such specified ranges.
 7. Although Renesas Electronics endeavors to improve the quality and reliability of Renesas Electronics products, semiconductor products have specific characteristics, such as the occurrence of failure at a certain rate and malfunctions under certain use conditions. Unless designated as a high reliability product or a product for harsh environments in a Renesas Electronics data sheet or other Renesas Electronics document, Renesas Electronics products are not subject to radiation resistance design. You are responsible for implementing safety measures to guard against the possibility of bodily injury, injury or damage caused by fire, and/or danger to the public in the event of a failure or malfunction of Renesas Electronics products, such as safety design for hardware and software, including but not limited to redundancy, fire control and malfunction prevention, appropriate treatment for aging degradation or any other appropriate measures. Because the evaluation of microcomputer software alone is very difficult and impractical, you are responsible for evaluating the safety of the final products or systems manufactured by you.
 8. Please contact a Renesas Electronics sales office for details as to environmental matters such as the environmental compatibility of each Renesas Electronics product. You are responsible for carefully and sufficiently investigating applicable laws and regulations that regulate the inclusion or use of controlled substances, including without limitation, the EU RoHS Directive, and using Renesas Electronics products in compliance with all these applicable laws and regulations. Renesas Electronics disclaims any and all liability for damages or losses occurring as a result of your noncompliance with applicable laws and regulations.
 9. Renesas Electronics products and technologies shall not be used for or incorporated into any products or systems whose manufacture, use, or sale is prohibited under any applicable domestic or foreign laws or regulations. You shall comply with any applicable export control laws and regulations promulgated and administered by the governments of any countries asserting jurisdiction over the parties or transactions.
 10. It is the responsibility of the buyer or distributor of Renesas Electronics products, or any other party who distributes, disposes of, or otherwise sells or transfers the product to a third party, to notify such third party in advance of the contents and conditions set forth in this document.
 11. This document shall not be reprinted, reproduced or duplicated in any form, in whole or in part, without prior written consent of Renesas Electronics.
 12. Please contact a Renesas Electronics sales office if you have any questions regarding the information contained in this document or Renesas Electronics products.
- (Note 1) "Renesas Electronics" as used in this document means Renesas Electronics Corporation and also includes its directly or indirectly controlled subsidiaries.
(Note 2) "Renesas Electronics product(s)" means any product developed or manufactured by or for Renesas Electronics.

(Rev.4.0-1 November 2017)



SALES OFFICES

Renesas Electronics Corporation

<http://www.renesas.com>

Refer to "<http://www.renesas.com/>" for the latest and detailed information.

Renesas Electronics America Inc.
1001 Murphy Ranch Road, Milpitas, CA 95035, U.S.A.
Tel: +1-408-432-8888, Fax: +1-408-434-5351

Renesas Electronics Canada Limited
9251 Yonge Street, Suite 8309 Richmond Hill, Ontario Canada L4C 9T3
Tel: +1-905-237-2004

Renesas Electronics Europe Limited
Dukes Meadow, Millboard Road, Bourne End, Buckinghamshire, SL8 5FH, U.K
Tel: +44-1628-651-700, Fax: +44-1628-651-804

Renesas Electronics Europe GmbH
Arcadiastrasse 10, 40472 Düsseldorf, Germany
Tel: +49-211-6503-0, Fax: +49-211-6503-1327

Renesas Electronics (China) Co., Ltd.
Room 1709 Quantum Plaza, No.27 ZhichunLu, Haidian District, Beijing, 100191 P. R. China
Tel: +86-10-8235-1155, Fax: +86-10-8235-7679

Renesas Electronics (Shanghai) Co., Ltd.
Unit 301, Tower A, Central Towers, 555 Langao Road, Putuo District, Shanghai, 200333 P. R. China
Tel: +86-21-2226-0888, Fax: +86-21-2226-0999

Renesas Electronics Hong Kong Limited
Unit 1601-1611, 16/F., Tower 2, Grand Century Place, 193 Prince Edward Road West, Mongkok, Kowloon, Hong Kong
Tel: +852-2265-6688, Fax: +852-2886-9022

Renesas Electronics Taiwan Co., Ltd.
13F, No. 363, Fu Shing North Road, Taipei 10543, Taiwan
Tel: +886-2-8175-9600, Fax: +886-2-8175-9670

Renesas Electronics Singapore Pte. Ltd.
80 Bendemeer Road, Unit #06-02 Hyflux Innovation Centre, Singapore 339949
Tel: +65-6213-0200, Fax: +65-6213-0300

Renesas Electronics Malaysia Sdn.Bhd.
Unit 1207, Block B, Menara Amcorp, Amcorp Trade Centre, No. 18, Jln Persiaran Barat, 46050 Petaling Jaya, Selangor Darul Ehsan, Malaysia
Tel: +60-3-7955-9390, Fax: +60-3-7955-9510

Renesas Electronics India Pvt. Ltd.
No.777C, 100 Feet Road, HAL 2nd Stage, Indiranagar, Bangalore 560 038, India
Tel: +91-80-67208700, Fax: +91-80-67208777

Renesas Electronics Korea Co., Ltd.
17F, KAMCO Yangjae Tower, 262, Gangnam-daero, Gangnam-gu, Seoul, 06265 Korea
Tel: +82-2-558-3737, Fax: +82-2-558-5338