

# VOICE-RA6E1 Engineering Manual

## Renesas VUI Reference Solution

Renesas Advanced (RA) Family  
RA6 Series

All information contained in these materials, including products and product specifications, represents information on the product at the time of publication and is subject to change by Renesas Electronics Corp. without notice. Please review the latest information published by Renesas Electronics Corp. through various means, including the Renesas Electronics Corp. website (<http://www.renesas.com>).

## Renesas VUI Reference Solution

**VOICE-RA6E1 Engineering Manual****Contents**

1. Overview .....	3
2. Kit Contents .....	3
3. Kit Ordering Information.....	3
4. Kit Peripheral Features .....	4
5. MCU Feature Support.....	4
6. Kit Architecture .....	6
6.1 System Block Diagram .....	6
6.2 Jumper Settings .....	7
6.2.1 Traditional Pin Header Jumpers.....	7
6.2.2 Copper Jumpers .....	7
7. MCU Port Mapping .....	8
8. Implementation Details .....	9
8.1 QSPI NOR flash .....	9
8.2 PMOD .....	9
8.3 Microphones .....	10
8.4 Audio out .....	10
8.5 LEDs .....	11
8.6 Buttons .....	11
8.7 Debug .....	11
8.8 Power .....	13
8.9 USB .....	13
9. Certifications.....	14
Revision History .....	14

## Figures

Figure 1. VOICE-RA6E1 Kit Contents .....	3
Figure 2. System Block Diagram .....	6
Figure 3. Copper Jumpers .....	7
Figure 4. PMOD connector .....	9
Figure 5. VOICE-RA6E1 Power Block Diagram .....	13

## Tables

Table 1. Default Jumper Settings .....	7
Table 2. Default Copper Jumper Settings .....	8
Table 3. MCU Port Assignments .....	8
Table 4. QSPI Flash Port Assignments .....	9
Table 5. PMOD Port Assignments (J15) .....	9
Table 6. Analog MEMS Microphone left channel (M2) Port Assignments .....	10
Table 7. Analog MEMS Microphone right channel (M3) Port Assignments .....	10
Table 8. Digital I2S MEMS Microphone left channel (M1) Port Assignments .....	10
Table 9. Digital I2S MEMS Microphone right channel (M4) Port Assignments .....	10
Table 10. Headphone Jack Pin Assignments.....	10
Table 11. User LED Port Assignments.....	11
Table 12. User Button Port Assignment (S1) .....	11
Table 13. Jumper Connection Summary for Different Debug .....	11
Table 14. Debug USB Connector .....	11
Table 15. 10-pin JTAG/SWD Connector (J8) .....	12
Table 16. 20-pin JTAG/SWD Connector (J9) .....	12
Table 17. Debug Port Signal Assignments.....	12
Table 18. USB Full Speed / USB Type-C Signal Assignments (J1).....	13

## 1. Overview

VOICE-RA6E1 is an edge voice recognition evaluation kit designed to be used by Ecosystem Partners, Application Engineers, Field Application Engineers, and for Business Development opportunities. The primary purpose is to evaluate the functionality of projects developed by Ecosystem Partners, and to facilitate the development of additional partner projects. The kit design uses the RA6E1 MCU with LQFP 64pin package as the core logic device, with QSPI flash, OPAMP and power devices chosen from the Renesas product portfolio.

## 2. Kit Contents

The following components are included in the kit:

1. VOICE-RA6E1 board
2. Micro USB device cable (type-A male to micro-B male)

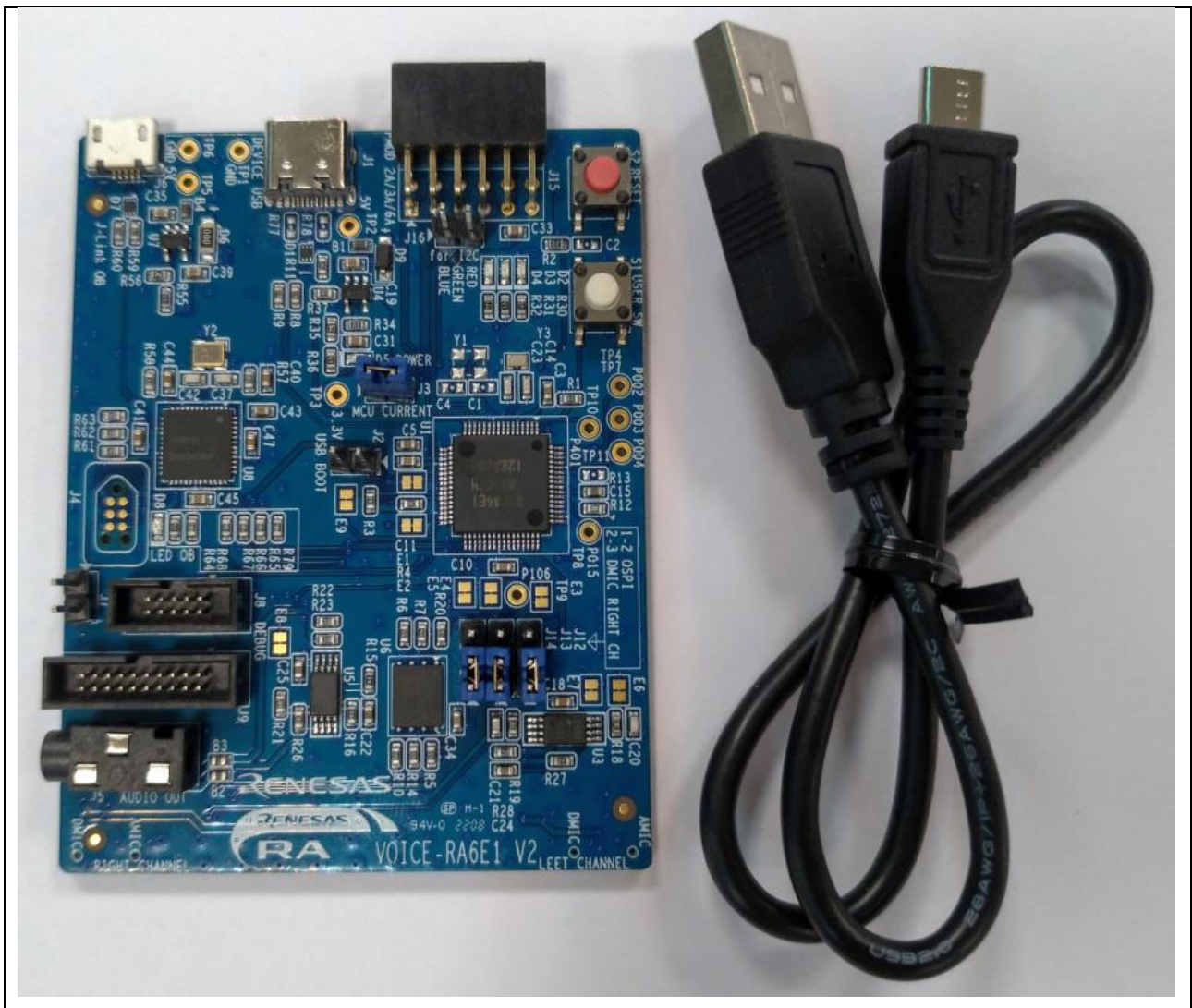


Figure 1. VOICE-RA6E1 Kit Contents

## 3. Kit Ordering Information

VOICE-RA6E1 kit orderable part number: **TW001-VUIA6E1POCZ**

## 4. Kit Peripheral Features

Following is a list of the specific features that have been implemented:

- QSPI: One QSPI flash memory device, Dialog AT25SF641B-MHB-T, 64M-bit (8MB).
- PMOD: 1 Digilent PMOD connectors, supporting UART, SPI and I2C configurations.
- Microphones: 2 I2S MEMS digital microphones and 2 MEMS analog microphones, distance between each pair of microphones is 50mm which is suitable for beamforming applications.
- Audio out: One stereo audio headphone jack supporting mono output on both channels.
- LEDs: Five LEDs, D2 (Red), D3 (Green) and D4 (Blue) configurable by user, D5 (Blue) as a 3.3V power indicator, D8(Green) as a JLOB (J-LINK on board) indicator.
- Buttons: One RESET button (S2), and one USER button (S1).
- Debug: J-Link On-Board debug interface, supporting JTAG or SWD debug port.
- USB: Micro USB-B (J6) for power input and J-Link On-Board function, USB-C (J1) for power input and RA6E1 USB Full Speed port as a USB device.
- Form Factor: 7.5 x 6 cm

## 5. MCU Feature Support

The RA6E1 MCU supports a full array of peripheral functions. The published features of the MCU are listed below. Features highlighted in **BOLD** text are directly supported by the kit hardware for voice applications.

- **Arm Cortex-M33 Core with Floating Point Unit (FPU)**
  - Armv8-M architecture with DSP instruction set
  - Maximum operating frequency: 200 MHz
  - Support for 4-GB address space
  - On-chip debugging system: JTAG, **SWD**
  - Boundary scan and Arm Memory Protection Unit (Arm MPU)
- **Memory**
  - Up to 1MB code flash memory
  - 8-KB data flash memory (125,000 program/erase cycles minimum)
  - Up to 256KB SRAM
  - 1KB Standby SRAM
  - Flash Cache (FCACHE)
  - Memory Protection Units (MPU)
  - Memory Mirror Function (MMF)
  - 128-bit unique ID
- Connectivity
  - **USB 2.0 Full-Speed (USBFS) module**
    - On-chip transceiver with voltage regulator
  - **Serial Communications Interface (SCI) with FIFO x 6**
  - **Serial Peripheral Interface (SPI) x 2**
  - I2C bus interface (IIC) x 2
  - **Quad Serial Peripheral Interface (QSPI)**
- Analog
  - **7 channel 12-bit A/D Converter (ADC12) with sample-and-hold circuits**

- **12-bit D/A Converter (DAC12) × 1**
- **Timers**
  - **General PWM Timer 32-bit (GPT32) × 2**
  - **General PWM Timer 16-bit (GPT16) × 4**
  - Asynchronous General-Purpose Timer (AGT) × 6
- **Safety**
  - FACL command protection by FENTRYR register
  - Flash memory is protected by FWEPROR register
  - The user area is protected by the block protect setting
  - Error is detected when unintended commands or prohibited settings occur. The FACL command is not accepted after an error detection.
  - The start-up area select function allows customer to safely update the boot firmware. The size of the start-up area is 8 KB.
- **System and Power Management**
  - Low power modes
  - Battery backup function (VBATT)
  - Realtime Clock (RTC) with calendar and VBATT support
  - Event Link Controller (ELC)
  - Data Transfer Controller (DTC)
  - DMA Controller (DMAC) × 8
  - Power-on reset
  - Low Voltage Detection (LVD) with voltage settings
  - Watchdog Timer (WDT)
  - Independent Watchdog Timer (IWDT)
- **Security and Encryption**
  - ARMv8-M TrustZone security
  - Device lifecycle management
  - Debug access level
  - Key injection
  - Secure pin multiplexing
  - Secure Crypto Engine 9 (SCE9)
  - Symmetric algorithms: AES
  - Asymmetric algorithms: RSA, ECC, and DSA
  - Hash-value generation: SHA224, SHA256, GHASH
  - 128-bit unique ID.
- **Multiple Clock Sources**
  - Main clock oscillator (MOSC) (8 to 24 MHz)
  - **Sub-clock oscillator (SOSC) (32.768 kHz)**
  - **High-speed on-chip oscillator (HOCO) (16/18/20 MHz)**
  - Middle-speed on-chip oscillator (MOCO) (8 MHz)
  - Low-speed on-chip oscillator (LOCO) (32.768 kHz)
  - IWDT-dedicated on-chip oscillator (15 kHz)

- Clock trim function for HOCO/MOCO/LOCO
- General-Purpose I/O Ports
  - 5V tolerance, open drain, input pull-up, switchable driving ability
- Operating Voltage
  - VCC: 2.7 to 3.6 V

## 6. Kit Architecture

### 6.1 System Block Diagram

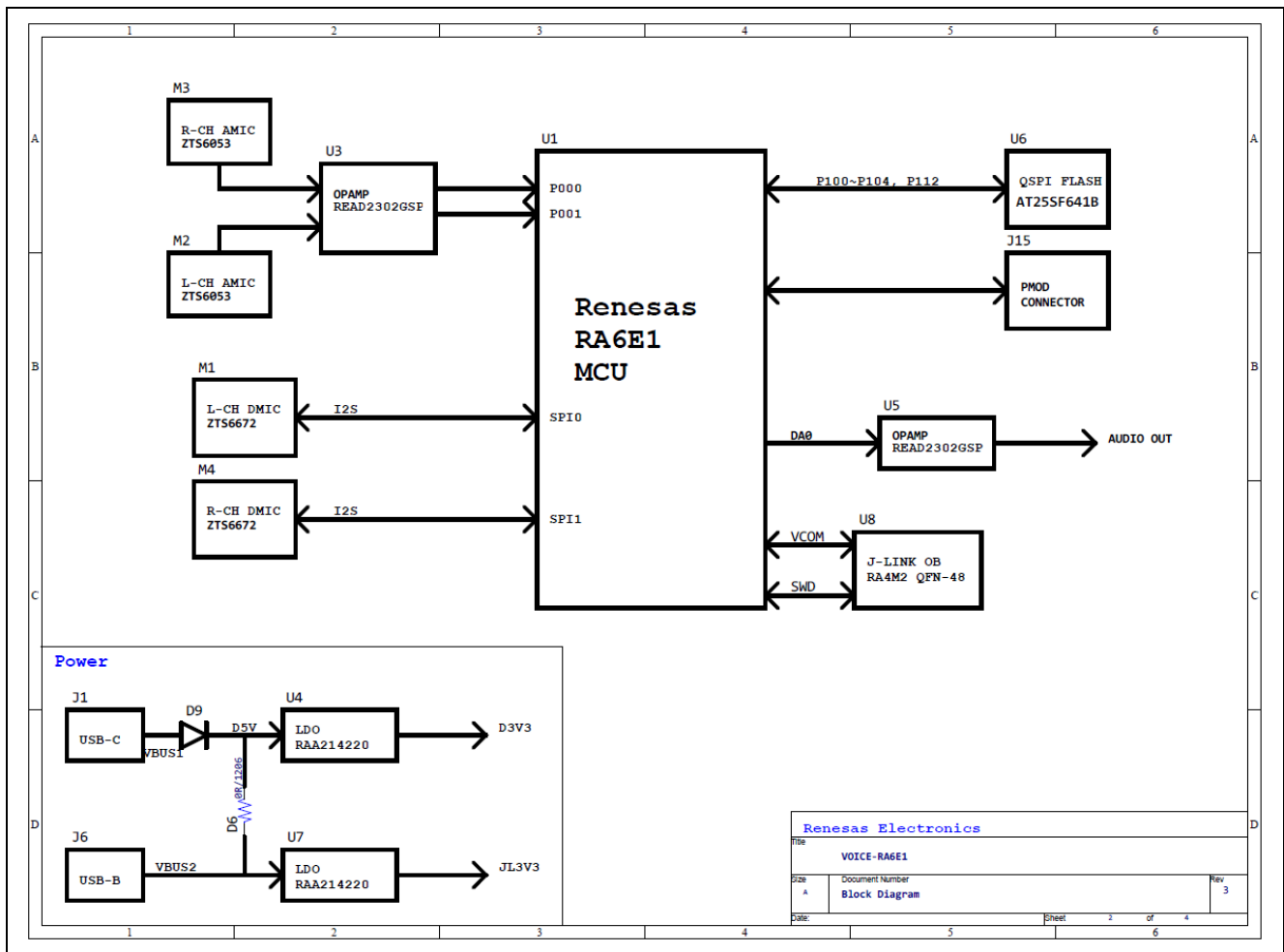


Figure 2. System Block Diagram



## 6.2 Jumper Settings

Two types of jumpers are provided on the VOICE-RA6E1 board.

1. Traditional pin header jumpers copper jumpers
2. Copper jumpers (trace-cut type and solder bridge type)

### 6.2.1 Traditional Pin Header Jumpers

These jumpers are traditional small pitch jumpers that require an external shunt to open/close them. The traditional pin jumpers on the VOICE-RA6E1 board are 2.54mm pitch headers and require compatible 2.54mm shunt jumpers.

#### Default Jumper Configuration

The following table describes the default settings for each jumper on the VOICE-RA6E1 board. This includes copper jumpers (Ex designation) and traditional pin jumpers (Jx designation.)

Functional details for many of the listed jumpers may be found in sections associated with each functional area of the kits.

**Table 1. Default Jumper Settings**

Location	Default Open/Closed	Function
J2	Open	Close to configures the RA6E1 MCU enter USB boot mode, code can be download through J1 USB TYPE-C connector.
J3	Short	For MCU current measurement, remove this jumper wire and serial with a current meter to measure MCU current.
J7	Open	Short with a jumper wire to set on board debug RA4M2 MCU(U8) in RESET for disable on board debug.
J12 J13 J14	All short on pin 1-2	Multiplex for QSPI flash and I2S Digital microphone right channel. Short on pin 1-2 switch to QSPI flash function. Short on pin 2-3 switch to I2S Digital microphone right channel.
J16	open	Short to route I2C SDA signal to PMOD connector pin 4

### 6.2.2 Copper Jumpers

Copper jumpers are of two types, designated trace-cut and solder-bridge.

A trace-cut jumper is provided with a narrow copper trace connecting its pads. The silk screen overlay printing around a trace-cut jumper is a solid box. To isolate the pads, cut the trace between pads adjacent to each pad, then remove the connecting copper foil either mechanically or with the assistance of heat. Once the etched copper trace is removed, the trace-cut jumper is turned into a solder-bridge jumper for any later changes.

A solder-bridge jumper is provided with two isolated pads that may be joined together by one of three methods:

- Solder may be applied to both pads to develop a bulge on each and the bulges joined by touching a soldering iron across the two pads.
- A small wire may be placed across the two pads and soldered in place.
- A SMT resistor, size 0805, 0603, or 0402, may be placed across the two pads and soldered in place. A zero-ohm resistor shorts the pads together.

For any copper jumper, the connection is considered closed if there is an electrical connection between the pads (default for trace-cut jumpers.) The connection is considered open if there is no electrical connection between the pads (default for the solder-bridge jumpers.)



**Figure 3. Copper Jumpers**



Table 2. Default Copper Jumper Settings

Location	Default Open/Closed	Function
E1	Closed	SSL input for SPI0
E2	Closed	WS output to I2S digital microphone
E3	Closed	SCK output to I2S digital microphone
E4	Closed	SCK input for SPI0
E5	Closed	MOSI for I2S digital microphone left channel
E6	Closed	ADC0, Analog microphone left channel
E7	Closed	ADC1, Analog microphone right channel
E8	Closed	DA out to OPAMP, audio out
E9	Closed	P201/MD signal, cut it then the J8, J9 can be debug out function

## 7. MCU Port Mapping

Here are the port and pin assignments for the kit.

Table 3. MCU Port Assignments

Port	Assigned Function(s)
P000	Analog microphone, left channel
P001	Analog microphone, right channel
P002	Test point 4 (TP4)
P003	Test point 7 (TP7)
P004	Test point 11 (TP11)
P014	Audio out DAC
P015	Test point 8 (TP8)
P100	QSPI CLK for QSPI flash
P101	QSPI DQ1 for QSPI flash or MISO for I2S digital microphone right channel, mux by J12 jumper wire
P102	QSPI DQ0 for QSPI flash or SCK for I2S digital microphone right channel, mux by J13 jumper wire
P103	QSPI DQ3 for QSPI flash or WS for I2S digital microphone right channel, mux by J14 jumper wire
P104	QSPI DQ2 for QSPI flash
P105	GPT1 output for SCK to I2S D-MIC
P106	Test point 8 (TP8)
P108	Debug, SWDIO for SWD or TMS for JTAG
P109	MOSI for I2S digital microphone left channel, when debug, it is TDO for JTAG
P110	Debug, TDI for JTAG
P111	SPICLK input
P112	QSPI_CS# for QSPI flash
P113	LED3, user LED, blue color
P200	NMI, pull-high with 10K
P201/MD	Boot Mode, The MCU enter SCI and USB boot mode if the MD pin is held low on release the reset signal, it is for download code to MCU flash memory.
P205	WS for I2S digital microphone left channel
P206	JLOB VCOM TXD
P207	JLOB VCOM RXD
P208	PMOD GPIO
P212/EXTAL	Clock Crystal, optional, not populated on this kit
P213/XTAL	Clock Crystal, optional, not populated on this kit
P300	Debug, SWCLK for SWD or TCK for JTAG
P301	WS for I2S digital microphone
P302	PMOD IRQ
P303	PMOD GPIO
P304	PMOD GPIO
P400	LED2, user LED, green color

P401	Test point 10 (TP10)
P402	User switch(S1), also IRQ4
P407	USB VBUS, USB cable connection monitor pin
P408	PMOD SPI MISO / UART RXD / I2C SCL
P409	PMOD SPI MOSI / UART TXD / I2C SDA
P410	PMOD SPICLK
P411	PMOD SPI SS / UART CTS_RTS
P500	LED1, user LED, red color

## 8. Implementation Details

### 8.1 QSPI NOR flash

There is one QSPI NOR Flash on board. The device is Dialog AT25SF641B-MHB-T, 64 Mbit (8 Mbyte) in a 8-pad Ultra-Thin DFN (5 x 6 x 0.6mm) package. The QSPI Flash is multiplexed with Digital I2S MEMS Microphone right channel using J12~J14 pin header. To enable QSPI flash function, please short pins 1-2 on J12~J14.

Table 4. QSPI Flash Port Assignments

MCU Port	QSPI Signal	QSPI Pin
P100	CLK	6
P112	Chip Select	1
P102	DQ0	5
P101	DQ1	2
P104	DQ2	3
P103	DQ3	7

### 8.2 PMOD

One PMOD type 2A/3A/6A connectors (2x6 pin, dual row, right angle socket) is included. If the RA6E1 SCI3 has been configured as Simple I2C, please insert a jumper on header J16 to route SDA signal to PMOD connector pin 4 for meet PMOD 6A pin definition.

Table 5. PMOD Port Assignments (J15)

MCU Port	PMOD Type 2A Signal	PMOD Type 3A Signal	PMOD Type 6A Signal	PMOD connector Pin
P411	CS	CTS_RTS	NC	1
P409	MOSI	TXD	NC	2
P408	MISO	RXD	SCL	3
P410	SCK		SDA	4
	GND	GND	GND	5
	+3.3V	+3.3V	+3.3V	6
P302	INT	INT	INT	7
P303	GPIO	GPIO	GPIO	8
P304	GPIO	GPIO	GPIO	9
P208	GPIO	GPIO	GPIO	10
	GND	GND	GND	11
	+3.3V	+3.3V	+3.3V	12

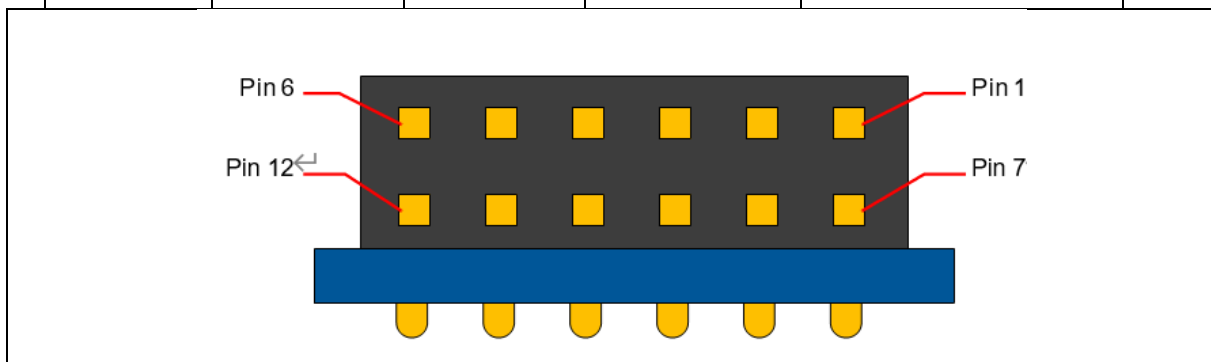


Figure 4. PMOD connector

### 8.3 Microphones

This board includes a pair of analog MEMS microphones (M2 & M3, ZillTek ZTS6053). These 2 analog microphone signals are amplified by Renesas READ2302GSP OPAMP, then fed to RA6E1 ADC channels 0 & 1. A pair of digital I2S MEMS microphone (M1 & M4, ZillTek ZTS6672) is also provided, which is connected to RA6E1 SPI0 & SPI1 channels separately. The physical distance between each 2 microphones is 50mm to support beamforming applications.

**Table 6. Analog MEMS Microphone left channel (M2) Port Assignments**

MCU Port	MEMS microphone Pin
P000	1 – OUT
	2 – GND
	3 – GND
	4 – GND
	5 – VDD

**Table 7. Analog MEMS Microphone right channel (M3) Port Assignments**

MCU Port	MEMS microphone Pin
P001	1 – OUT
	2 – GND
	3 – GND
	4 – GND
	5 – VDD

**Table 8. Digital I2S MEMS Microphone left channel (M1) Port Assignments**

MCU Port	SPI0 Signal	MEMS microphone Pin
P205	SSLA0	1 – LRC (Word Select)
	GND – for Select as left channel	2 – SELECT
	GND	3 – GND
P111	RSPCK0	4 – BCLK
	3.3V	5 – VDD
P109	MOSI0	6 – DATA
		7 – CONFIG

**Table 9. Digital I2S MEMS Microphone right channel (M4) Port Assignments**

MCU Port	SPI1 Signal	MEMS microphone Pin
P103	SSLB0	1 – LRC (Word Select)
	VDD – for Select as right channel	2 – SELECT
	GND	3 – GND
P102	RSPCK1	4 – BCLK
	3.3V	5 – VDD
P101	MOSI1	6 – DATA
		7 – CONFIG

The Digital I2S MEMS Microphone right channel is multiplexed with QSPI Flash. To use the Digital Microphone, please short pins 2-3 on J12~J14.

### 8.4 Audio out

A **stereo** headphone jack is connected to the MCU DAC. The DAC signals are connected through an OPAMP. The device is Renesas READ2302GSP, in ultra-small 8 pins TSSOP packages.

**Table 10. Headphone Jack Pin Assignments**

MCU Port	Audio out Signal	Headphone Jack Pin
P014 (DA0)	VOUT1	1 (Sleeve)
	VOUT2	2 (Mono signal)
	VOUT2	3 (Mono signal)

## 8.5 LEDs

3 LED are included on the board and are connected to the MCU I/O. These are Red, Green, and Blue, and can be used for any user defined functions.

**Table 11. User LED Port Assignments**

MCU Port	Connected User LED
P500	Red (D2)
P400	Green (D3)
P113	Blue (D4)

D5 (blue) is power LED, and D8 (Green) is debug status LED to indicate the status of the JLOB connection.

## 8.6 Buttons

There are two mechanical push-button switches on the board. One button is for system/MCU reset (S2). The second button is a user programmable button (S1).

**Table 12. User Button Port Assignment (S1)**

MCU Port	User Button Interrupt
P402	IRQ4

## 8.7 Debug

The VOICE-RA6E1 board supports following three debug modes.

Debug Modes	Debug MCU (one that connects to the IDE on PC)	Target MCU (one that is being debugged)	Debugging Interface/Protocol	Connector Used
Debug on-board	RA4M2 (on-board)	RA6E1 (on-board)	SWD, JTAG	Micro USB (J6)
Debug in	External debugging tools	RA6E1 (on-board)	SWD, JTAG	20-pin connector (J9) or 10-pin connector (J8)
Debug out	RA4M2 (on-board)	Any external RA MCU	SWD, JTAG	20-pin connector (J9) or 10-pin connector (J8)

Notes:

- Please cut E9 for Debug out function
- See Table 14 for the Debug USB connector pin definition.
- See Table 15 for the 10-pin JTAG connector pin definition.
- See Table 16 for the 20-pin JTAG connector pin definition.

**Table 13. Jumper Connection Summary for Different Debug**

Debug Modes	J7
Debug on-board	Open
Debug in	Closed
Debug out	Open

The J-Link On-Board (JLOB) debug interface supporting JTAG, SWD debug interface and also supports the VCOM (Virtual COM port) function. The debug MCU is a Renesas RA4M2, programmed with J-Link firmware licensed by Segger. This interface includes one USB micro-B connector (J6) for host debug through the J-Link MCU, one 10-pin and one 20-pin debug header (supporting JTAG and SWD).

**Table 14. Debug USB Connector**

Debug USB Connector(J6)		VOICE-RA6E1
Pin	Description	Signal / Bus
J6-1	+5VDC	VBUS2 / TP5
J6-2	Data-	D_N
J6-3	Data+	D_P
J6-4	USB ID, jack internal switch, cable inserted	N.C.
J6-5	Ground	GND / TP6

**Table 15. 10-pin JTAG/SWD Connector (J8)**

Pin	JTAG Pin Name	SWD Pin Name	Signal/Bus
J9-1	Vtref	Vtref	+3V3
J9-2	TMS	SWDIO	P108/SWDIO
J9-3	GND	GND	GND
J9-4	TCK	SWCLK	P300/SWCLK
J9-5	GND	GND	GND
J9-6	TDO		P109
J9-7	Key	Key	N.C.
J9-8	TDI		P110
J9-9	GND Detect	GND Detect	GND
J9-10	nSRST	nSRST	RESET#

**Table 16. 20-pin JTAG/SWD Connector (J9)**

Pin	JTAG Pin Name	SWD Pin Name	Signal/Bus
J9-1	Vtref	Vtref	+3V3
J9-2	TMS	SWDIO	P108/SWDIO
J9-3	GND	GND	GND
J9-4	TCK	SWCLK	P300/SWCLK
J9-5	GND	GND	GND
J9-6	TDO		P109
J9-7	Key	Key	N.C.
J9-8	TDI		P110
J9-9	GND Detect	GND Detect	GND
J9-10	nSRST	nSRST	RESET#
J9-11	N/A	N/A	GND
J9-12	N/A	N/A	N.C.
J9-13	N/A	N/A	GND
J9-14	N/A	N/A	N.C.
J9-15	N/A	N/A	GND
J9-16	N/A	N/A	N.C.
J9-17	N/A	N/A	GND
J9-18	N/A	N/A	N.C.
J9-19	N/A	N/A	GND
J9-20	N/A	N/A	N.C.

**Table 17. Debug Port Signal Assignments**

RA6E1 MCU Port	Debug signal usage
P108	TMS/SWDIO
P109	TDO
P110	TDI
P300	TCK/SWCLK

### 8.8 Power

5 V may be supplied from an external USB host to the USB Debug connector (J6) labelled with **J-Link OB** on the board or from USB type-C connector(J1) labelled with **DEVICE USB**.

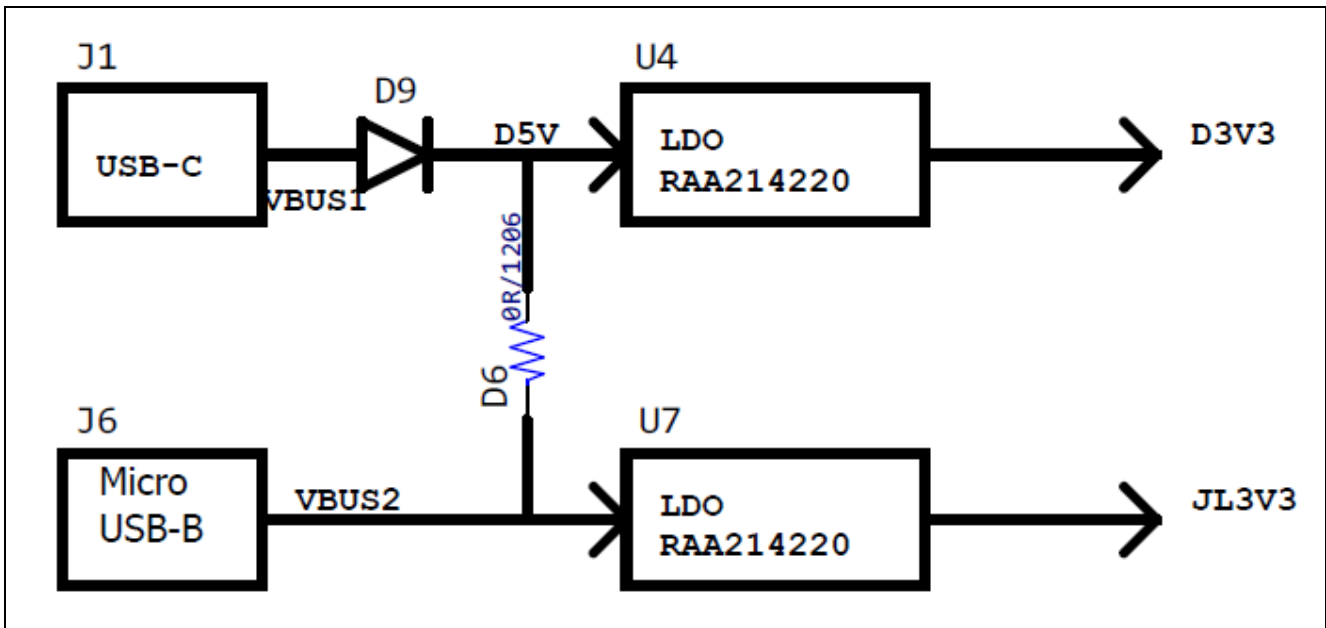


Figure 5. VOICE-RA6E1 Power Block Diagram

### 8.9 USB

The board includes one USB TYPE-C connector (J1), supporting USB Full Speed device mode.

Table 18. USB Full Speed / USB Type-C Signal Assignments (J1)

MCU Port	USB FS Signal	USB-C Signal Name	USB-C Connection
	GND	GND	A1
	N.C.	TXp1	A2
	N.C.	TXn1	A3
	VBUS1	VBUS	A4
	N.C.	CC1	A5
USB_DP	USB1_P	DP1	A6
USB_DN	USB1_N	DN1	A7
	N.C.	SBU1	A8
	VBUS1	VBUS	A9
	N.C.	RXN2	A10
	N.C.	RXP2	A11
	GND	GND	A12
	GND	GND	B1
	N.C.	TXP2	B2
	N.C.	TXN2	B3
	VBUS1	VBUS	B4
	N.C.	CC2	B5
USB_DP	USB1_P	DP2	B6
USB_DN	USB1_N	DN2	B7
	N.C.	SBU2	B8
	VBUS1	VBUS	B9
	N.C.	RXN1	B10
	N.C.	RXP1	B11
	GND	GND	B12

## 9. Certifications

To support international distribution, the following certification requirements are met, both by design and test.

Americas: FCC Class B

Europe: CE Class B

## Revision History

Rev.	Date	Description	
		Page	Summary
1.0	June 2022		Initial release



---

Engineering Manual for Project VOICE-RA6E1

Publication Date: April . 22. 2022

Published by: Renesas Electronics Corporation

---

# Renesas VUI Reference Solution VOICE-RA6E1 Engineering Manual

