

To our customers,

Old Company Name in Catalogs and Other Documents

On April 1st, 2010, NEC Electronics Corporation merged with Renesas Technology Corporation, and Renesas Electronics Corporation took over all the business of both companies. Therefore, although the old company name remains in this document, it is a valid Renesas Electronics document. We appreciate your understanding.

Renesas Electronics website: <http://www.renesas.com>

April 1st, 2010
Renesas Electronics Corporation

Issued by: Renesas Electronics Corporation (<http://www.renesas.com>)

Send any inquiries to <http://www.renesas.com/inquiry>.

Notice

1. All information included in this document is current as of the date this document is issued. Such information, however, is subject to change without any prior notice. Before purchasing or using any Renesas Electronics products listed herein, please confirm the latest product information with a Renesas Electronics sales office. Also, please pay regular and careful attention to additional and different information to be disclosed by Renesas Electronics such as that disclosed through our website.
2. Renesas Electronics does not assume any liability for infringement of patents, copyrights, or other intellectual property rights of third parties by or arising from the use of Renesas Electronics products or technical information described in this document. No license, express, implied or otherwise, is granted hereby under any patents, copyrights or other intellectual property rights of Renesas Electronics or others.
3. You should not alter, modify, copy, or otherwise misappropriate any Renesas Electronics product, whether in whole or in part.
4. Descriptions of circuits, software and other related information in this document are provided only to illustrate the operation of semiconductor products and application examples. You are fully responsible for the incorporation of these circuits, software, and information in the design of your equipment. Renesas Electronics assumes no responsibility for any losses incurred by you or third parties arising from the use of these circuits, software, or information.
5. When exporting the products or technology described in this document, you should comply with the applicable export control laws and regulations and follow the procedures required by such laws and regulations. You should not use Renesas Electronics products or the technology described in this document for any purpose relating to military applications or use by the military, including but not limited to the development of weapons of mass destruction. Renesas Electronics products and technology may not be used for or incorporated into any products or systems whose manufacture, use, or sale is prohibited under any applicable domestic or foreign laws or regulations.
6. Renesas Electronics has used reasonable care in preparing the information included in this document, but Renesas Electronics does not warrant that such information is error free. Renesas Electronics assumes no liability whatsoever for any damages incurred by you resulting from errors in or omissions from the information included herein.
7. Renesas Electronics products are classified according to the following three quality grades: "Standard", "High Quality", and "Specific". The recommended applications for each Renesas Electronics product depends on the product's quality grade, as indicated below. You must check the quality grade of each Renesas Electronics product before using it in a particular application. You may not use any Renesas Electronics product for any application categorized as "Specific" without the prior written consent of Renesas Electronics. Further, you may not use any Renesas Electronics product for any application for which it is not intended without the prior written consent of Renesas Electronics. Renesas Electronics shall not be in any way liable for any damages or losses incurred by you or third parties arising from the use of any Renesas Electronics product for an application categorized as "Specific" or for which the product is not intended where you have failed to obtain the prior written consent of Renesas Electronics. The quality grade of each Renesas Electronics product is "Standard" unless otherwise expressly specified in a Renesas Electronics data sheets or data books, etc.

"Standard": Computers; office equipment; communications equipment; test and measurement equipment; audio and visual equipment; home electronic appliances; machine tools; personal electronic equipment; and industrial robots.

"High Quality": Transportation equipment (automobiles, trains, ships, etc.); traffic control systems; anti-disaster systems; anti-crime systems; safety equipment; and medical equipment not specifically designed for life support.

"Specific": Aircraft; aerospace equipment; submersible repeaters; nuclear reactor control systems; medical equipment or systems for life support (e.g. artificial life support devices or systems), surgical implantations, or healthcare intervention (e.g. excision, etc.), and any other applications or purposes that pose a direct threat to human life.

8. You should use the Renesas Electronics products described in this document within the range specified by Renesas Electronics, especially with respect to the maximum rating, operating supply voltage range, movement power voltage range, heat radiation characteristics, installation and other product characteristics. Renesas Electronics shall have no liability for malfunctions or damages arising out of the use of Renesas Electronics products beyond such specified ranges.
9. Although Renesas Electronics endeavors to improve the quality and reliability of its products, semiconductor products have specific characteristics such as the occurrence of failure at a certain rate and malfunctions under certain use conditions. Further, Renesas Electronics products are not subject to radiation resistance design. Please be sure to implement safety measures to guard them against the possibility of physical injury, and injury or damage caused by fire in the event of the failure of a Renesas Electronics product, such as safety design for hardware and software including but not limited to redundancy, fire control and malfunction prevention, appropriate treatment for aging degradation or any other appropriate measures. Because the evaluation of microcomputer software alone is very difficult, please evaluate the safety of the final products or system manufactured by you.
10. Please contact a Renesas Electronics sales office for details as to environmental matters such as the environmental compatibility of each Renesas Electronics product. Please use Renesas Electronics products in compliance with all applicable laws and regulations that regulate the inclusion or use of controlled substances, including without limitation, the EU RoHS Directive. Renesas Electronics assumes no liability for damages or losses occurring as a result of your noncompliance with applicable laws and regulations.
11. This document may not be reproduced or duplicated, in any form, in whole or in part, without prior written consent of Renesas Electronics.
12. Please contact a Renesas Electronics sales office if you have any questions regarding the information contained in this document or Renesas Electronics products, or if you have any other inquiries.

(Note 1) "Renesas Electronics" as used in this document means Renesas Electronics Corporation and also includes its majority-owned subsidiaries.

(Note 2) "Renesas Electronics product(s)" means any product developed or manufactured by or for Renesas Electronics.

**Tiny/Super Low Power E7 Emulator
Additional Document for User's Manual
Notes on Connecting the H8/3672F,
H8/36014F, and H8/36024F**

**Renesas Microcomputer Development
Environment System
H8 Family / H8/300H Tiny Series
Tiny/Super Low Power E7
HS0007TCU01HEP2**

Keep safety first in your circuit designs!

1. Renesas Technology Corp. puts the maximum effort into making semiconductor products better and more reliable, but there is always the possibility that trouble may occur with them. Trouble with semiconductors may lead to personal injury, fire or property damage.
Remember to give due consideration to safety when making your circuit designs, with appropriate measures such as (i) placement of substitutive, auxiliary circuits, (ii) use of nonflammable material or (iii) prevention against any malfunction or mishap.

Notes regarding these materials

1. These materials are intended as a reference to assist our customers in the selection of the Renesas Technology Corp. product best suited to the customer's application; they do not convey any license under any intellectual property rights, or any other rights, belonging to Renesas Technology Corp. or a third party.
2. Renesas Technology Corp. assumes no responsibility for any damage, or infringement of any third-party's rights, originating in the use of any product data, diagrams, charts, programs, algorithms, or circuit application examples contained in these materials.
3. All information contained in these materials, including product data, diagrams, charts, programs and algorithms represents information on products at the time of publication of these materials, and are subject to change by Renesas Technology Corp. without notice due to product improvements or other reasons. It is therefore recommended that customers contact Renesas Technology Corp. or an authorized Renesas Technology Corp. product distributor for the latest product information before purchasing a product listed herein.
The information described here may contain technical inaccuracies or typographical errors. Renesas Technology Corp. assumes no responsibility for any damage, liability, or other loss rising from these inaccuracies or errors.
Please also pay attention to information published by Renesas Technology Corp. by various means, including the Renesas Technology Corp. Semiconductor home page (<http://www.renesas.com>).
4. When using any or all of the information contained in these materials, including product data, diagrams, charts, programs, and algorithms, please be sure to evaluate all information as a total system before making a final decision on the applicability of the information and products. Renesas Technology Corp. assumes no responsibility for any damage, liability or other loss resulting from the information contained herein.
5. Renesas Technology Corp. semiconductors are not designed or manufactured for use in a device or system that is used under circumstances in which human life is potentially at stake. Please contact Renesas Technology Corp. or an authorized Renesas Technology Corp. product distributor when considering the use of a product contained herein for any specific purposes, such as apparatus or systems for transportation, vehicular, medical, aerospace, nuclear, or undersea repeater use.
6. The prior written approval of Renesas Technology Corp. is necessary to reprint or reproduce in whole or in part these materials.
7. If these products or technologies are subject to the Japanese export control restrictions, they must be exported under a license from the Japanese government and cannot be imported into a country other than the approved destination.
Any diversion or reexport contrary to the export control laws and regulations of Japan and/or the country of destination is prohibited.
8. Please contact Renesas Technology Corp. for further details on these materials or the products contained therein.

Contents

Section 1	Connecting the Emulator with the User System.....	1
Section 2	Pin Assignments of the E7 Connector	3
Section 3	Example of Emulator Connection.....	5
Section 4	Differences between the MCUs (H8/3672F, H8/36014(G)F, and H8/36024(G)F) and the Emulator	11

Section 1 Connecting the Emulator with the User System

Before connecting an E7 emulator (hereafter referred to as emulator) with the user system, a connector must be installed in the user system so that an user system interface cable can be connected. When designing the user system, refer to the connector and recommended circuits shown in this manual.

Before designing the user system, be sure to read the E7 emulator user's manual and the hardware manual for related MCUs.

Table 1.1 shows the recommended connector for the emulator.

Table 1.1 Recommended Connector

Type Number	Manufacturer	Specifications
2514-6002	3M Limited	14-pin straight type

Connect pins 2, 4, 6, 10, 12, and 14 of the user system connector to GND firmly on the PCB. These pins are used as electrical GND and to monitor the connection of the user system connector. Note the pin assignments of the user system connector.

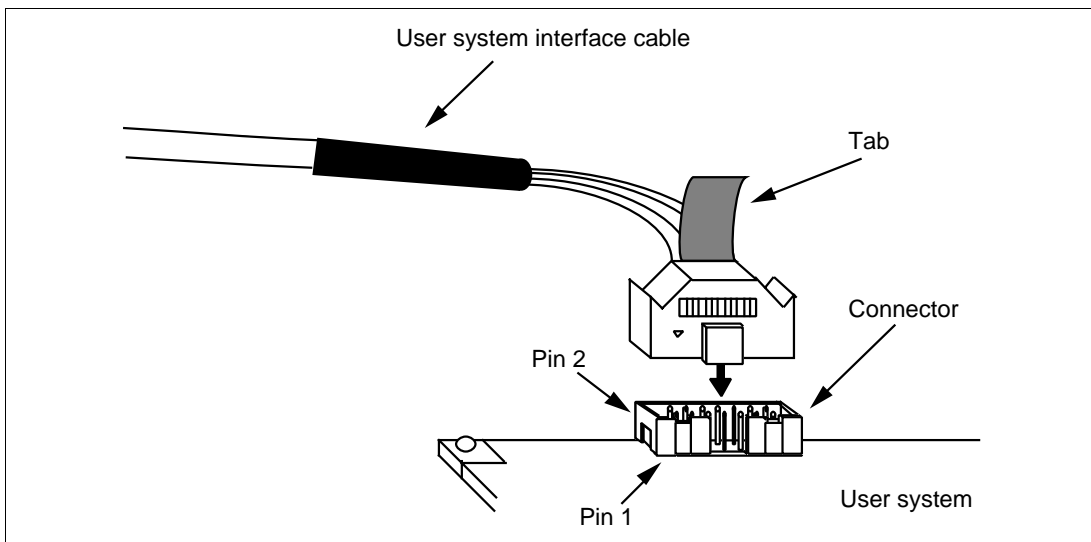


Figure 1.1 Connecting the User System Interface Cable to the User System

- Notes:
1. The pin number assignments of the 14-pin connector differ from those of the E10A emulator; however, the physical location is the same.
 2. Do not place any components within 3 mm of the connector.
 3. When the emulator is used in the writer mode, connect the emulator similarly to the user system.

Section 2 Pin Assignments of the E7 Connector

Figure 2.1 shows the pin assignments of the connector.

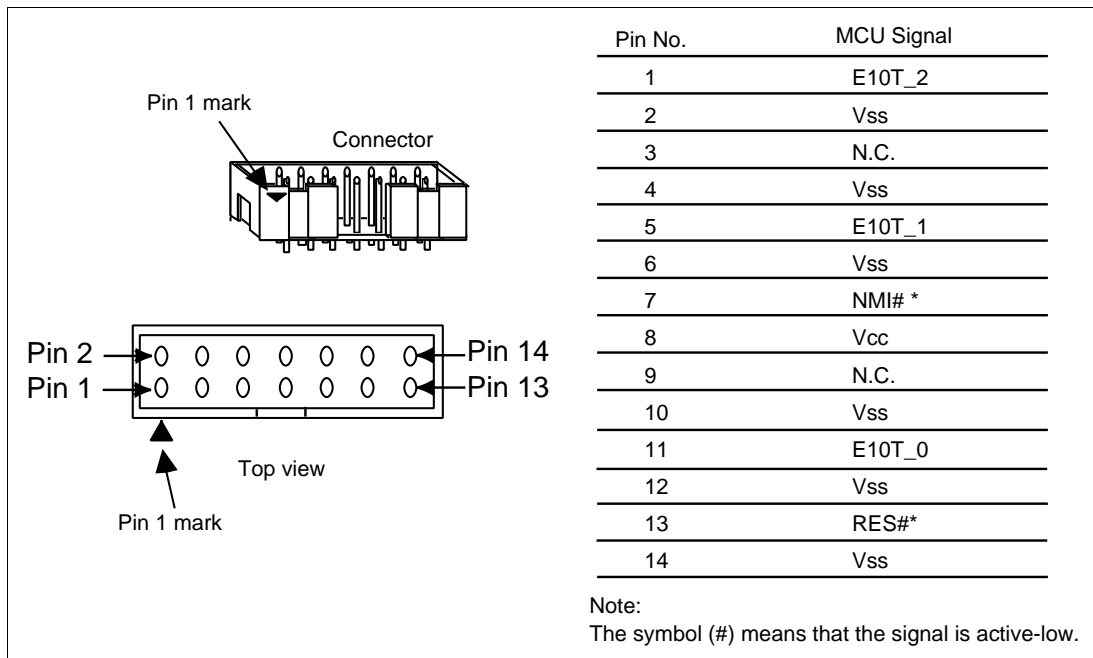


Figure 2.1 Pin Assignments of the Connector

Section 3 Example of Emulator Connection

Figures 3.1 and 3.2 show examples of emulator connection to the MCU without the POR and LVD options (H8/3672F, H8/36014F, or H8/36024F without the POR and LVD options; hereafter referred to as the MCU without the POR and LVD options) and to the MCU with the POR and LVD options installed (H8/36014(G)F or H8/36024(G)F; hereafter referred to as the MCU with the POR and LVD options), respectively.

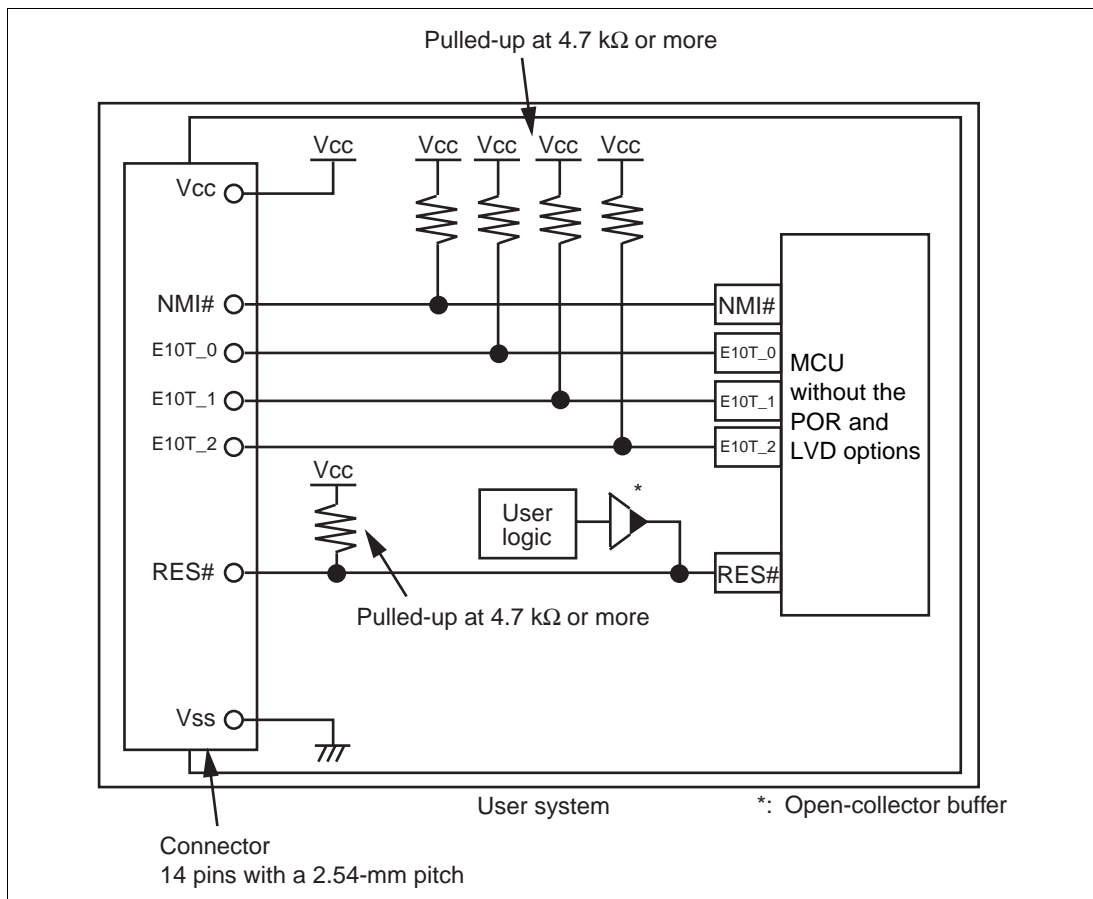


Figure 3.1 Example of Emulator Connection (MCU without POR and LVD Options)

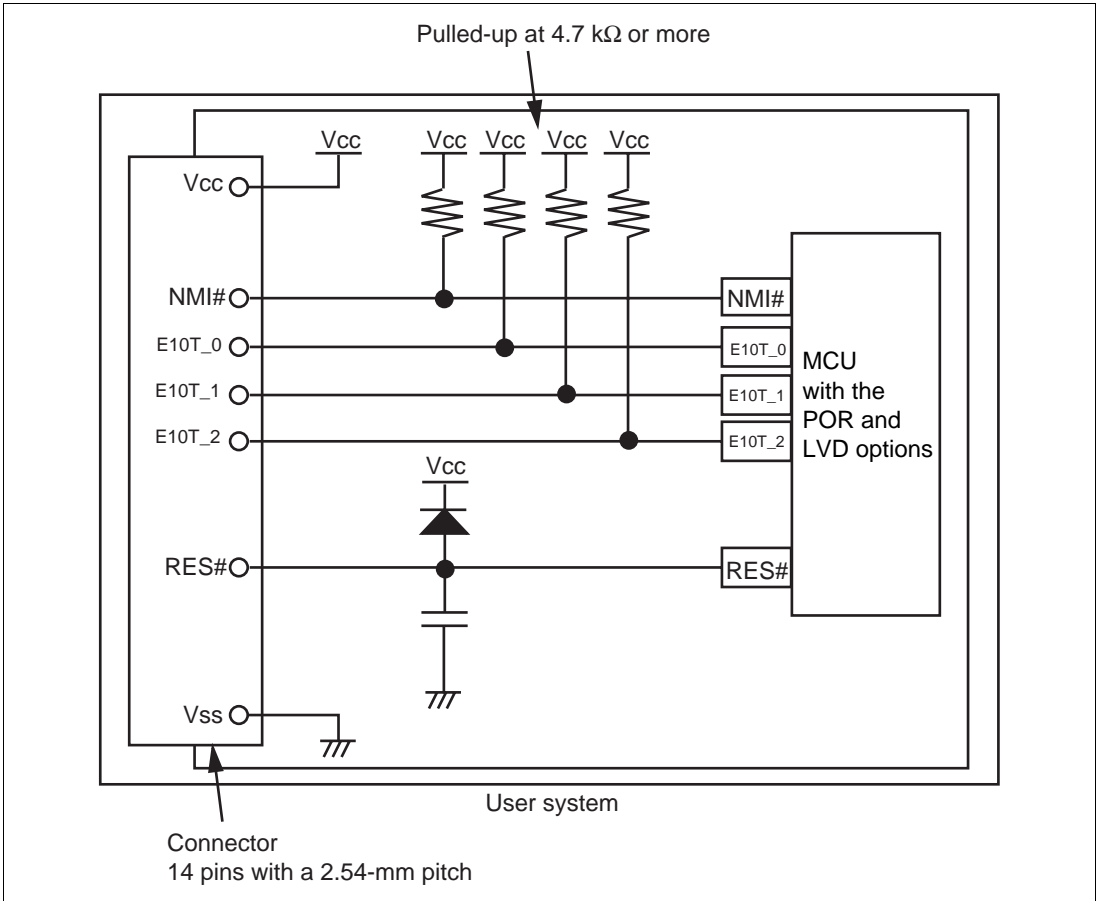


Figure 3.2 Example of Emulator Connection (MCU with POR and LVD Options)

Notes: 1. E10T_0 to E10T_2 pins are used by the emulator. Pull up and connect the emulator and MCU pins.

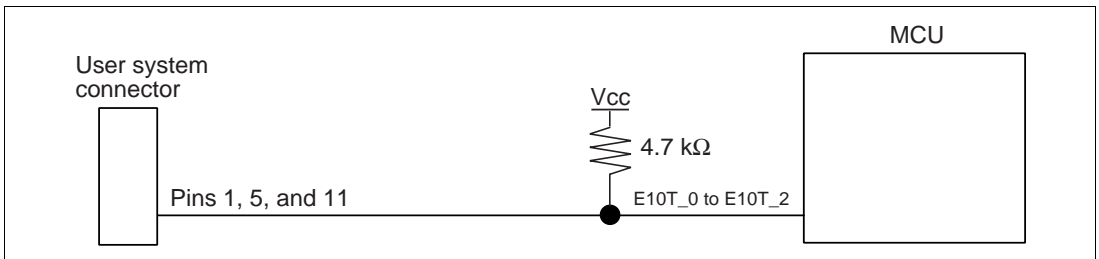


Figure 3.3 Connection of Emulator and E10T_0 to E10T_2 Pins

2. The NMI# signal is used for forced break control by the emulator. Connect the emulator and MCU pins directly. In debugging without forced break control, change the mode with the HEW. Then, when the user logic is connected with the open-collector output buffer, the NMI# pin can be used in the user system (however, at power-on, the NMI# pin is used by the emulator).

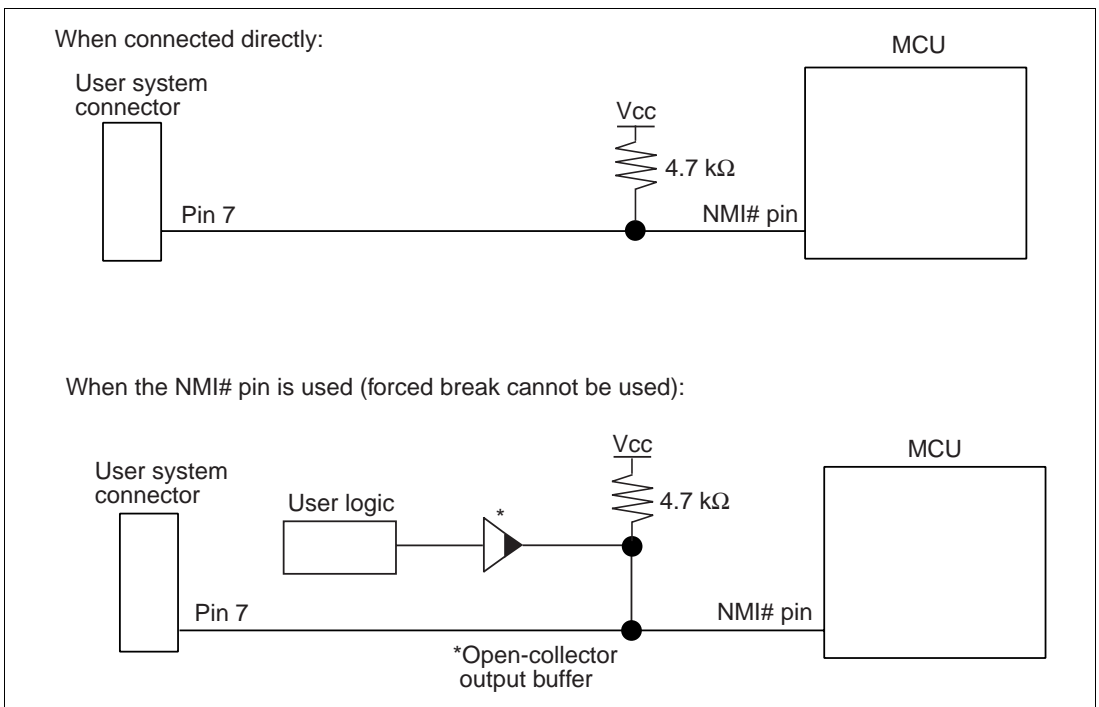


Figure 3.4 Connection of Emulator and NMI# Pin

- The RES# pin is used by the emulator. Create the following circuit by connecting the open-collector output buffer so that reset input can be accepted from the emulator.

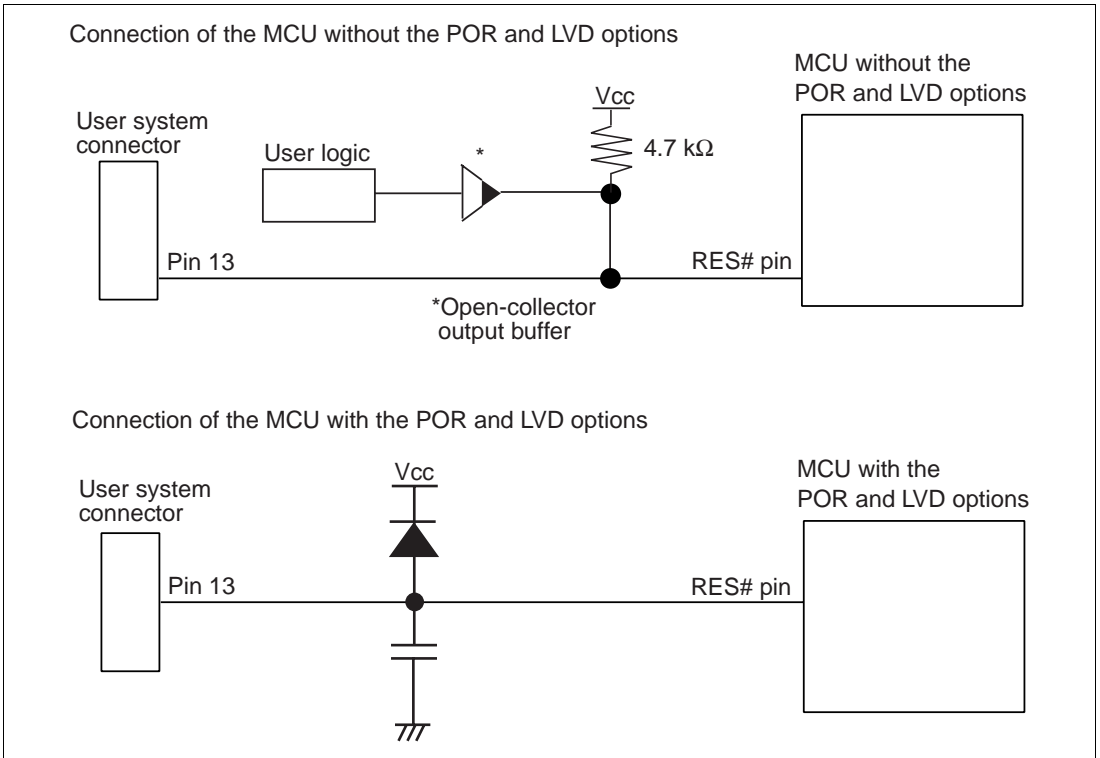


Figure 3.5 Example of a Reset Circuit

- Connect Vss and Vcc with the Vss and Vcc of the MCU, respectively.
- Connect nothing with N.C.
- The input voltage, Vcc, must be connected to the user system Vcc (power supply). The amount of voltage permitted to input to Vcc must be within the guaranteed range of the microcomputer.
- Refer to the hardware manual for the recommended capacitance of the capacitor that is connected to the RES# pin.

8. Figure 3.6 shows the interface circuit in the emulator. Use this figure as a reference when determining the pull-up resistance value.

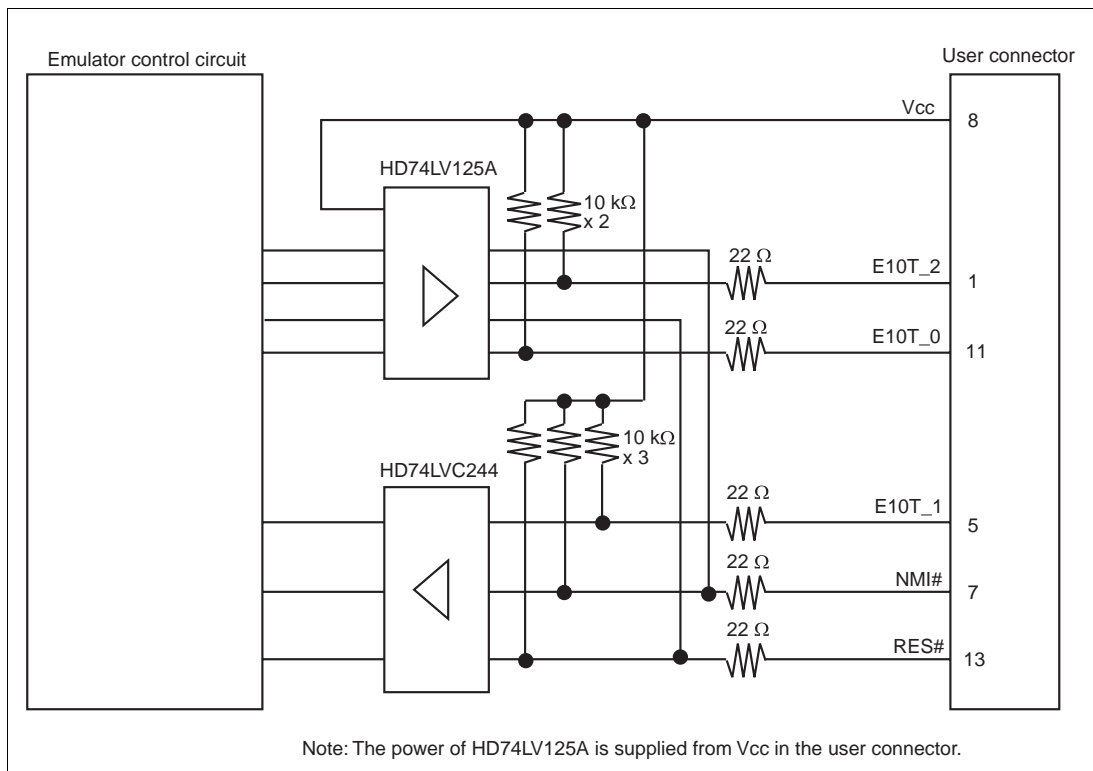


Figure 3.6 Interface Circuit in the Emulator (Reference)

Section 4 Differences between the MCUs (H8/3672F, H8/36014(G)F, and H8/36024(G)F) and the Emulator

1. When the emulator system is initiated, it initializes the general registers and part of the control registers as shown in table 4.1.

Table 4.1 Register Initial Values at Emulator Power-On

Register	Initial Value
PC	Reset vector value in the vector address table
ER0 to ER6	H'0000
ER7 (SP)	H'FF80
CCR	H'80

2. Low-Power Mode

During a user program break, the CPU operating frequency is forced to a system clock (ϕ) for high-speed operation.

3. RES# Signal

The MCU signals are only valid during user program execution started with clicking the GO or STEP-type button. During a user program break, the RES# signal is not sent to the MCUs.

Note: Do not start user program execution or access the memory while control input signal (RES#) is being low. A TIMEOUT error will occur.

4. System Control Register

In the emulator, the internal I/O registers can be accessed from the [IO] window. However, be careful when accessing the system control register. The emulator saves the register value of the system control register at a break and returns the value when the user program is executed. Since this is done during a break, do not rewrite the system control register in the [IO] window.

5. Memory Access during Emulation

If the memory contents are referenced or modified during emulation, realtime emulation cannot be performed because the user program is temporarily halted.

6. The emulator communicates with the MCUs by using the NMI#, RES#, and E10T_2 to E10T_0 pins. These pins cannot be used, however, the NMI# pin can be used by changing the setting of the [NMI signal] group box in the [Configuration] dialog box.

7. Sum Data Displayed in the Writing Flash memory Mode

Sum data, which is displayed in the 'Writing Flash memory' mode, is a value that data in the whole ROM areas has been added by byte.

8. Note on Executing the User Program

The set value is rewritten since the emulator uses flash memory and watchdog timer registers during programming (Go, Step In, Step Out, or Step Over) of the flash memory.

9. The power consumed by the MCU can reach several milliamperes. This is because the user power supply drives one HD74LV125A to make the communication signal level match the user-system power-supply voltage. The power consumed rises little during user program execution since the emulator does not perform communication; it rises more during a break.

10. Program Area for the Emulator

Do not access a part of areas in the flash memory or the internal RAM since the emulator program uses these areas. If the contents of the program area for the emulator are changed, the emulator will not operate normally. In this case, restart the emulator with the Download emulator firmware mode.

Table 4.2 Program Area for the E7 Emulator

MCU Name	Program Area
H8/3672F	Flash memory: H'4000 to H'4FFF Internal RAM: H'F780 to H'FB7F Vector, etc.: H'0002 to H'0007, H'000E to H'000F, H'0018 to H'0019
H8/36014(G)F	Flash memory: H'7000 to H'7FFF
H8/36024(G)F	Internal RAM: H'F780 to H'FB7F Vector, etc.: H'0002 to H'0007, H'000E to H'000F, H'0018 to H'0019

11. The emulator uses a two-word stack pointer for values stored on a user program break. Therefore, the stack area must accept two-word addresses.

12. Do not use an MCU that has been used for debugging.

If the flash memory is rewritten many times, data may be lost due to retention problems after the emulator has been left for a few days and the data will be erased. If an error message is displayed, exchange the MCU for a new one.

13. Forced Break Function

When the NMI# signal is used for a forced break in the emulator, the vector address of NMI# is rewritten by the emulator program. An error will occur if a file in the host computer and the flash memory contents are verified. Do not use the flash memory contents as the ROM data for the mask ROM after it has been saved.

14. Setting the Usage of the NMI# Signal

In the [Configuration] dialog box, when the NMI# signal is changed as it is used in the user program, the vector address of NMI# is not recovered. Reload the user program.

15. Address Break Release Function

When the address break function is not released for users, the vector address of address break is rewritten by the emulator program. An error will occur if a file in the host computer and the flash memory contents are verified. Do not use the flash memory contents as the ROM data for the mask ROM after it has been saved.

16. Initializing the Internal I/O Register with the Reset_CPU Function

Be sure to initialize the following internal I/O registers by the user program since they are not initialized by selecting [Debug] – [Reset CPU] or using the RESET command:
SYSCR1, SYSCR2, IEGR1, IEGR2, IENR1, IRR1, IWPR, MSTCR1, and TSCR

17. Step Execution of the SLEEP Instruction

When the interrupt mask bit (I) in the condition code register (CCR) is 1, do not perform step execution of the SLEEP instruction. If the step execution is performed and not finished correctly, restart the emulator.

18. Restriction on Software Write Enable (SWE) Bit

If the SWE bit is set to 1 during execution of the user program, a communication timeout error will occur. Do not set this bit to 1.

**Tiny/Super Low Power E7 Emulator
Additional Document for User's Manual
Notes on Connecting the H8/3672F, H8/36014F, and H8/36024F**

Publication Date: Rev.2.00, August 25, 2003
Rev.5.00, September 12, 2006
Published by: Sales Strategic Planning Div.
Renesas Technology Corp.
Edited by: Customer Support Department
Global Strategic Communication Div.
Renesas Solutions Corp.

Renesas Technology Corp. Sales Strategic Planning Div. Nippon Bldg., 2-6-2, Ohte-machi, Chiyoda-ku, Tokyo 100-0004, Japan



RENESAS SALES OFFICES

<http://www.renesas.com>

Refer to "<http://www.renesas.com/en/network>" for the latest and detailed information.

Renesas Technology America, Inc.

450 Holger Way, San Jose, CA 95134-1368, U.S.A
Tel: <1> (408) 382-7500, Fax: <1> (408) 382-7501

Renesas Technology Europe Limited

Dukes Meadow, Millboard Road, Bourne End, Buckinghamshire, SL8 5FH, U.K.
Tel: <44> (1628) 585-100, Fax: <44> (1628) 585-900

Renesas Technology (Shanghai) Co., Ltd.

Unit 204, 205, AZIACenter, No.1233 Lujiazui Ring Rd, Pudong District, Shanghai, China 200120
Tel: <86> (21) 5877-1818, Fax: <86> (21) 6887-7898

Renesas Technology Hong Kong Ltd.

7th Floor, North Tower, World Finance Centre, Harbour City, 1 Canton Road, Tsimshatsui, Kowloon, Hong Kong
Tel: <852> 2265-6688, Fax: <852> 2730-6071

Renesas Technology Taiwan Co., Ltd.

10th Floor, No.99, Fushing North Road, Taipei, Taiwan
Tel: <886> (2) 2715-2888, Fax: <886> (2) 2713-2999

Renesas Technology Singapore Pte. Ltd.

1 Harbour Front Avenue, #06-10, Keppel Bay Tower, Singapore 098632
Tel: <65> 6213-0200, Fax: <65> 6278-8001

Renesas Technology Korea Co., Ltd.

Kukje Center Bldg. 18th Fl., 191, 2-ka, Hangang-ro, Yongsan-ku, Seoul 140-702, Korea
Tel: <82> (2) 796-3115, Fax: <82> (2) 796-2145

Renesas Technology Malaysia Sdn. Bhd

Unit 906, Block B, Menara Amcorp, Amcorp Trade Centre, No.18, Jalan Persiaran Barat, 46050 Petaling Jaya, Selangor Darul Ehsan, Malaysia
Tel: <603> 7955-9390, Fax: <603> 7955-9510

**Tiny/Super Low Power E7 Emulator
Additional Document for User's Manual
Notes on Connecting the H8/3672F, H8/36014F,
and H8/36024F**



Renesas Electronics Corporation

1753, Shimonumabe, Nakahara-ku, Kawasaki-shi, Kanagawa 211-8668 Japan

REJ10B0043-0500