

Target Board for RX23W module Schematic  
 (Product No: RTK5RX23W0C01000BJ)

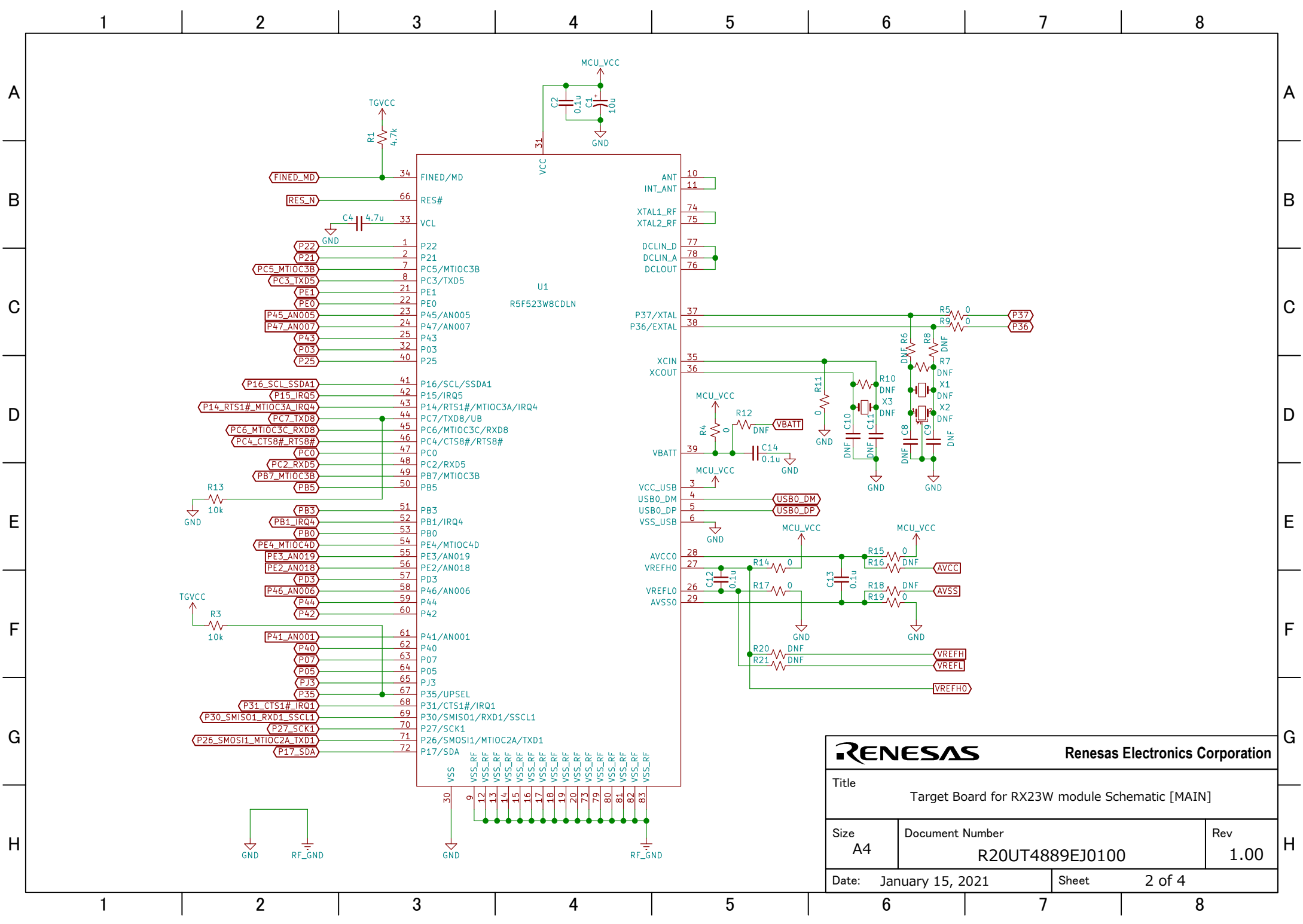
PAGE	DESCRIPTION
1	Index
2	MAIN
3	USER BLOCK
4	Emulator Circuit

Note:

- C, EC : Capacitor
- D : Diode
- R : Fixed Resistor
- U, EU : Integrated Circuit
- X : Crystal, Oscillator
- SW, RES : Switch
- LED : Light Emitting Diode
- J, CN : Connector
- JP : Jumper
- L : Inductor
- N.C. : Not connected
- SS : Short-pad Short-type(Default : Short)
- SO : Short-pad Open-type(Default : Open)

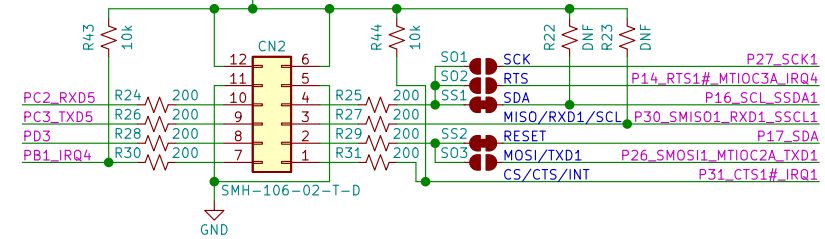
\* "DNF" marking means that component is not fitted by default.

<b>RENESAS</b>		Renesas Electronics Corporation	
Title Target Board for RX23W module Schematic [Index]			
Size A4	Document Number R20UT4889EJ0100		Rev 1.00
Date: January 15, 2021	Sheet		1 of 4

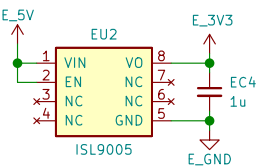
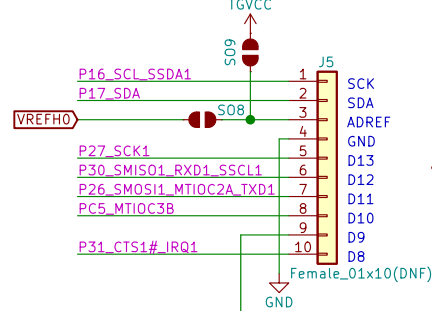
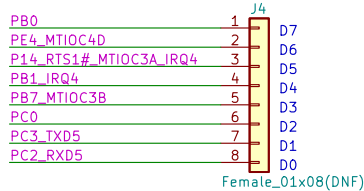
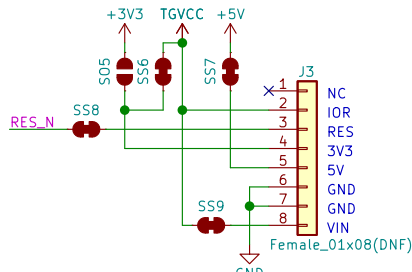
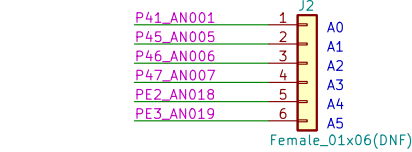


<b>RENESAS</b>		Renesas Electronics Corporation	
Title Target Board for RX23W module Schematic [MAIN]			
Size A4	Document Number R20UT4889EJ0100		Rev 1.00
Date: January 15, 2021	Sheet 2 of 4		

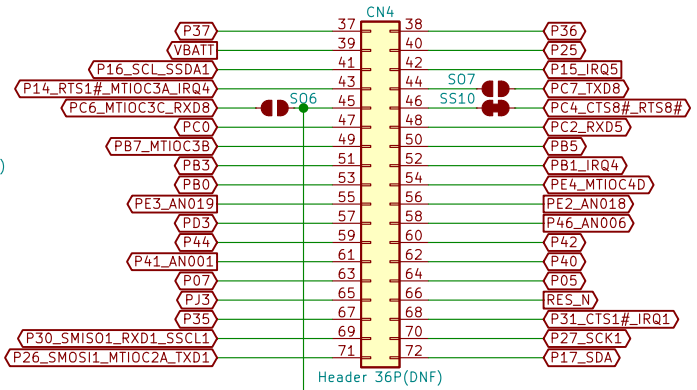
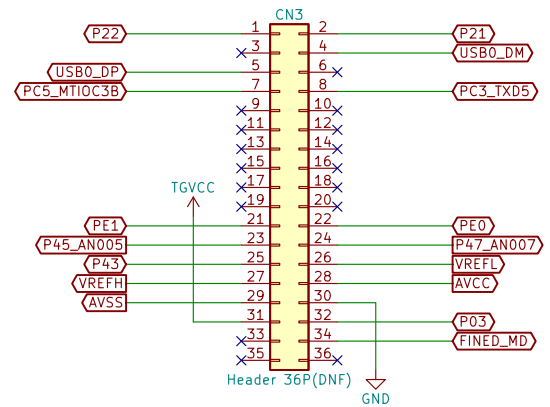
# PMOD



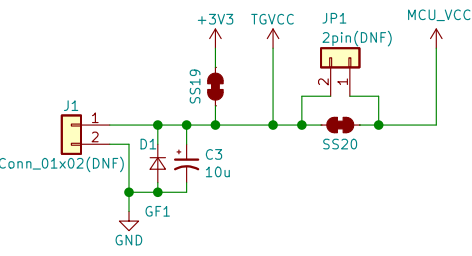
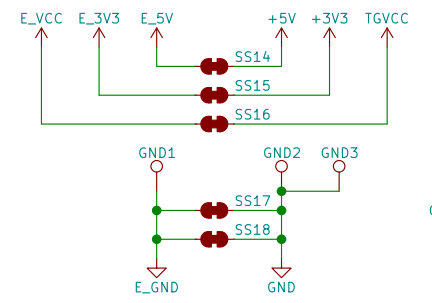
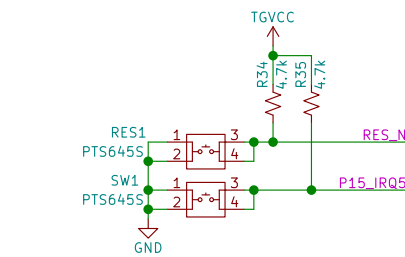
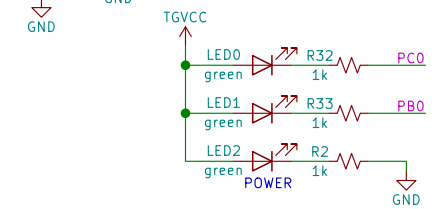
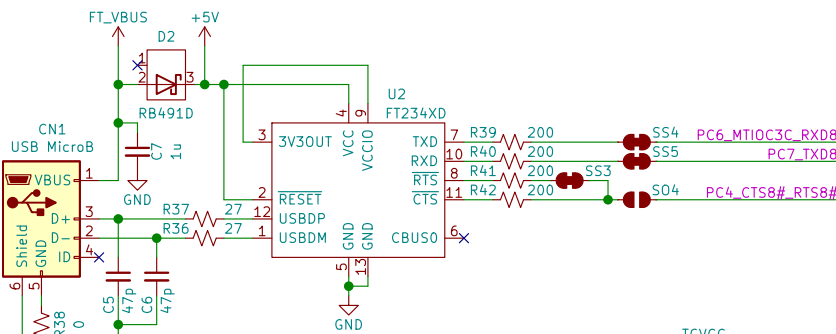
# Arduino I/F



# MCU HEADER



RENEASAS			Renesas Electronics Corporation		
Title					
Target Board for RX23W module Schematic [USER BLOCK]					
Size	Document Number			Rev	
A4	R20UT4889EJ0100			1.00	
Date: January 15, 2021			Sheet 3 of 4		



1 2 3 4 5 6 7 8

A

A

B

B

C

C

D

D

E

E

F

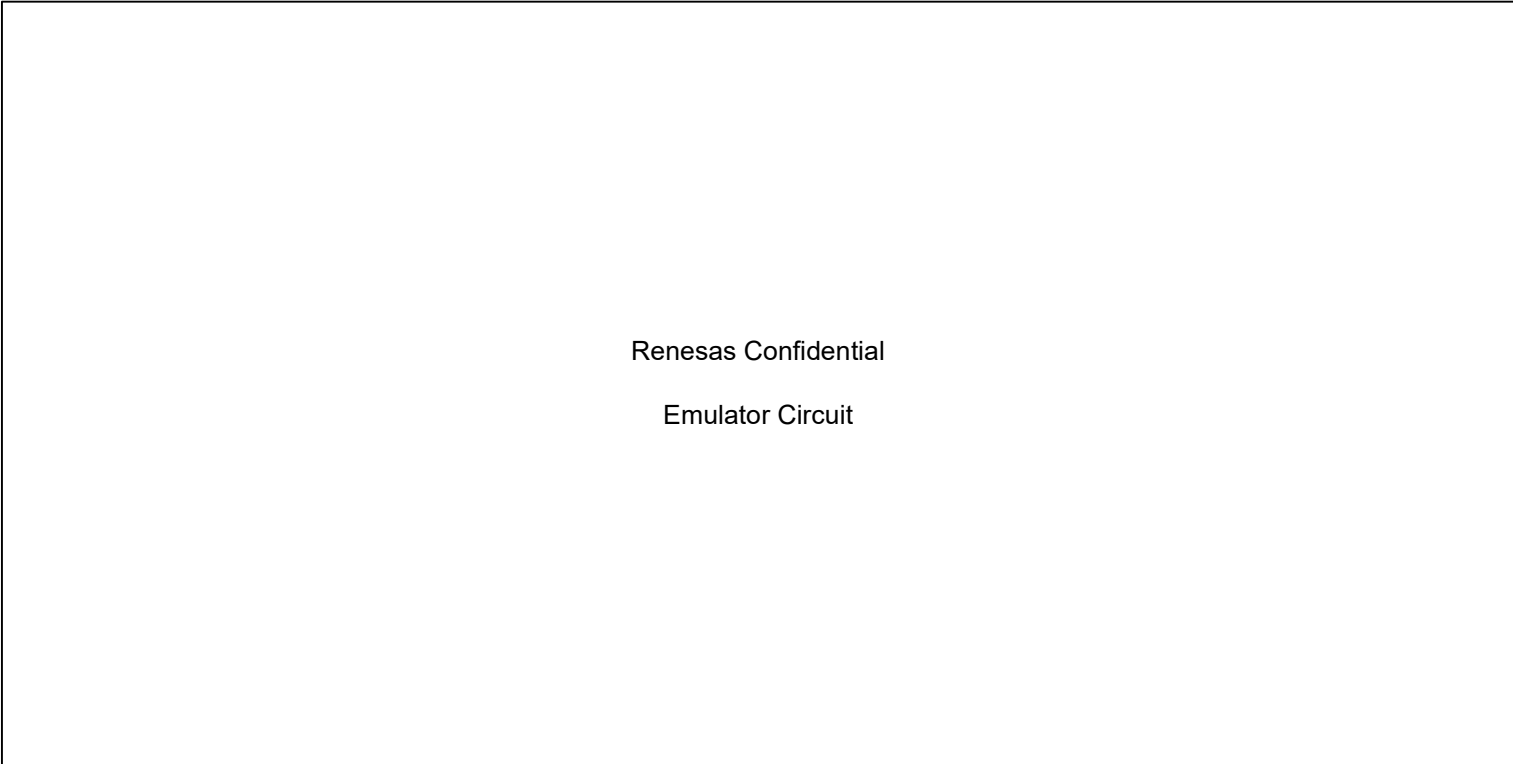
F

G

G

H

H



Renesas Confidential  
Emulator Circuit

**RENESAS**

Renesas Electronics Corporation

Title Target Board for RX23W module Schematic [Emulator Circuit]

Size A4	Document Number R20UT4889EJ0100	Rev 1.00
------------	------------------------------------	-------------

Date: January 15, 2021	Sheet 4 of 4
------------------------	--------------

1 2 3 4 5 6 7 8