

SuperH™ Family E10A-USB Emulator

Additional Document for User's Manual

Supplementary Information on Using the SH7083, SH7084,

SH7085, and SH7086

SuperH™ Family / SH7080 Series

E10A-USB for SH7080 HS7080KCU01HE

All information contained in these materials, including products and product specifications, represents information on the product at the time of publication and is subject to change by Renesas Electronics Corporation without notice. Please review the latest information published by Renesas Electronics Corporation through various means, including the Renesas Electronics Corporation website (<http://www.renesas.com>).

Notice

1. Descriptions of circuits, software and other related information in this document are provided only to illustrate the operation of semiconductor products and application examples. You are fully responsible for the incorporation of these circuits, software, and information in the design of your equipment. Renesas Electronics assumes no responsibility for any losses incurred by you or third parties arising from the use of these circuits, software, or information.
2. Renesas Electronics has used reasonable care in preparing the information included in this document, but Renesas Electronics does not warrant that such information is error free. Renesas Electronics assumes no liability whatsoever for any damages incurred by you resulting from errors in or omissions from the information included herein.
3. Renesas Electronics does not assume any liability for infringement of patents, copyrights, or other intellectual property rights of third parties by or arising from the use of Renesas Electronics products or technical information described in this document. No license, express, implied or otherwise, is granted hereby under any patents, copyrights or other intellectual property rights of Renesas Electronics or others.
4. You should not alter, modify, copy, or otherwise misappropriate any Renesas Electronics product, whether in whole or in part. Renesas Electronics assumes no responsibility for any losses incurred by you or third parties arising from such alteration, modification, copy or otherwise misappropriation of Renesas Electronics product.
5. Renesas Electronics products are classified according to the following two quality grades: "Standard" and "High Quality". The recommended applications for each Renesas Electronics product depends on the product's quality grade, as indicated below.
"Standard": Computers; office equipment; communications equipment; test and measurement equipment; audio and visual equipment; home electronic appliances; machine tools; personal electronic equipment; and industrial robots etc.
"High Quality": Transportation equipment (automobiles, trains, ships, etc.); traffic control systems; anti-disaster systems; anti-crime systems; and safety equipment etc.

Renesas Electronics products are neither intended nor authorized for use in products or systems that may pose a direct threat to human life or bodily injury (artificial life support devices or systems, surgical implantations etc.), or may cause serious property damages (nuclear reactor control systems, military equipment etc.). You must check the quality grade of each Renesas Electronics product before using it in a particular application. You may not use any Renesas Electronics product for any application for which it is not intended. Renesas Electronics shall not be in any way liable for any damages or losses incurred by you or third parties arising from the use of any Renesas Electronics product for which the product is not intended by Renesas Electronics.
6. You should use the Renesas Electronics products described in this document within the range specified by Renesas Electronics, especially with respect to the maximum rating, operating supply voltage range, movement power voltage range, heat radiation characteristics, installation and other product characteristics. Renesas Electronics shall have no liability for malfunctions or damages arising out of the use of Renesas Electronics products beyond such specified ranges.
7. Although Renesas Electronics endeavors to improve the quality and reliability of its products, semiconductor products have specific characteristics such as the occurrence of failure at a certain rate and malfunctions under certain use conditions. Further, Renesas Electronics products are not subject to radiation resistance design. Please be sure to implement safety measures to guard them against the possibility of physical injury, and injury or damage caused by fire in the event of the failure of a Renesas Electronics product, such as safety design for hardware and software including but not limited to redundancy, fire control and malfunction prevention, appropriate treatment for aging degradation or any other appropriate measures. Because the evaluation of microcomputer software alone is very difficult, please evaluate the safety of the final products or systems manufactured by you.
8. Please contact a Renesas Electronics sales office for details as to environmental matters such as the environmental compatibility of each Renesas Electronics product. Please use Renesas Electronics products in compliance with all applicable laws and regulations that regulate the inclusion or use of controlled substances, including without limitation, the EU RoHS Directive. Renesas Electronics assumes no liability for damages or losses occurring as a result of your noncompliance with applicable laws and regulations.
9. Renesas Electronics products and technology may not be used for or incorporated into any products or systems whose manufacture, use, or sale is prohibited under any applicable domestic or foreign laws or regulations. You should not use Renesas Electronics products or technology described in this document for any purpose relating to military applications or use by the military, including but not limited to the development of weapons of mass destruction. When exporting the Renesas Electronics products or technology described in this document, you should comply with the applicable export control laws and regulations and follow the procedures required by such laws and regulations.
10. It is the responsibility of the buyer or distributor of Renesas Electronics products, who distributes, disposes of, or otherwise places the product with a third party, to notify such third party in advance of the contents and conditions set forth in this document, Renesas Electronics assumes no responsibility for any losses incurred by you or third parties as a result of unauthorized use of Renesas Electronics products.
11. This document may not be reproduced or duplicated in any form, in whole or in part, without prior written consent of Renesas Electronics.
12. Please contact a Renesas Electronics sales office if you have any questions regarding the information contained in this document or Renesas Electronics products, or if you have any other inquiries.

(Note 1) "Renesas Electronics" as used in this document means Renesas Electronics Corporation and also includes its majority-owned subsidiaries.

(Note 2) "Renesas Electronics product(s)" means any product developed or manufactured by or for Renesas Electronics.

Regulatory Compliance Notices

European Union regulatory notices

This product complies with the following EU Directives. (These directives are only valid in the European Union.)

CE Certifications:

- Electromagnetic Compatibility (EMC) Directive 2004/108/EC

EN 55022 Class A

WARNING: This is a Class A product. In a domestic environment this product may cause radio interference in which case the user may be required to take adequate measures.

EN 55024

- Information for traceability
 - Authorised representative

Name: Renesas Electronics Corporation

Address: 1753, Shimonomabe, Nakahara-ku, Kawasaki, Kanagawa, 211-8668, Japan

- Manufacturer

Name: Renesas Solutions Corp.

Address: Nippon Bldg., 2-6-2, Ote-machi, Chiyoda-ku, Tokyo 100-0004, Japan

- Person responsible for placing on the market

Name: Renesas Electronics Europe Limited

Address: Dukes Meadow, Millboard Road, Bourne End, Buckinghamshire, SL8 5FH, U.K.

Environmental Compliance and Certifications:

- Waste Electrical and Electronic Equipment (WEEE) Directive 2002/96/EC

WEEE Marking Notice (European Union Only)



Renesas development tools and products are directly covered by the European Union's Waste Electrical and Electronic Equipment, (WEEE), Directive 2002/96/EC. As a result, this equipment, including all accessories, must not be disposed of as household waste but through your locally recognized recycling or disposal schemes. As part of our commitment to environmental responsibility Renesas also offers to take back the equipment and has implemented a Tools Product Recycling Program for customers in Europe. This allows you to return equipment to Renesas for disposal through our approved Producer Compliance Scheme. To register for the program, click here "<http://www.renesas.com/weee>".

United States Regulatory notices on Electromagnetic compatibility

FCC Certifications (United States Only):

This equipment has been tested and found to comply with the limits for a Class A digital device, pursuant to Part 15 of the FCC Rules. These limits are designed to provide reasonable protection against harmful interference when the equipment is operated in a commercial environment. This equipment generates, uses, and can radiate radio frequency energy and, if not installed and used in accordance with the instruction manual, may cause harmful interference to radio communications. Operation of this equipment in a residential area is likely to cause harmful interference in which case the user will be required to correct the interference at his own expense.

CAUTION: Changes or modifications not expressly approved by the party responsible for compliance could void the user's authority to operate the equipment.

Table of Contents

Section 1	Connecting the Emulator with the User System	1
1.1	Components of the Emulator	1
1.2	Connecting the Emulator with the User System	2
1.3	Installing the H-UDI Port Connector on the User System	3
1.4	Pin Assignments of the H-UDI Port Connector	4
1.5	Recommended Circuit between the H-UDI Port Connector and the MCU	6
1.5.1	Recommended Circuit (36-Pin Type)	6
1.5.2	Recommended Circuit (14-Pin Type)	8
Section 2	Software Specifications when Using the SH7080 Series	11
2.1	Differences between the MCU and the Emulator	11
2.2	Specific Functions for the Emulator when Using the SH7080 Series	17
2.2.1	Event Condition Functions	17
2.2.2	Trace Functions	22
2.2.3	Notes on Using the JTAG (H-UDI) Clock (TCK)	33
2.2.4	Notes on Setting the [Breakpoint] Dialog Box	33
2.2.5	Notes on Setting the [Event Condition] Dialog Box and the BREAKCONDITION_SET Command	33
2.2.6	Performance Measurement Function	34
2.2.7	Note on Profiling	36





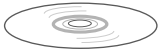
Section 1 Connecting the Emulator with the User System

1.1 Components of the Emulator

The E10A-USB emulator supports the SuperHT™ family SH7080 series: SH7083 (R5E70835R/R5F70834A/R5F70835A), SH7084 (R5E70845R/R5F70844A/R5F70845A), SH7085 (R5E70855R/R5F70854A/R5F70855A), and SH7086 (R5E70865R/R5F70865A).

Table 1.1 lists the components of the emulator.

Table 1.1 Components of the Emulator

Classification	Component	Appearance	Quantity	Remarks
Hardware	Emulator box		1	HS0005KCU01H: Depth: 65.0 mm, Width: 97.0 mm, Height: 20.0 mm, Mass: 72.9 g or HS0005KCU02H: Depth: 65.0 mm, Width: 97.0 mm, Height: 20.0 mm, Mass: 73.7 g
	User system interface cable		1	14-pin type: Length: 20 cm, Mass: 33.1 g
	User system interface cable		1	36-pin type: Length: 20 cm, Mass: 49.2 g (only for HS0005KCU02H)
	USB cable		1	Length: 150 cm, Mass: 50.6 g
Software	E10A-USB emulator setup program, SuperHT™ Family E10A-USB Emulator User's Manual, Supplementary Information on Using the SH7083, SH7084, SH7085, and SH7086*, and Test program manual for HS0005KCU01H and HS0005KCU02H		1	HS0005KCU01SR, HS0005KCU01HJ, HS0005KCU01HE, HS7080KCU01HJ, HS7080KCU01HE, HS0005TM01HJ, and HS0005TM01HE (provided on a CD-R)

Note: Additional document for the MCUs supported by the emulator is included. Check the target MCU and refer to its additional document.

1.2 Connecting the Emulator with the User System

To connect the E10A-USB emulator (hereinafter referred to as the emulator), the H-UDI port connector must be installed on the user system to connect the user system interface cable. When designing the user system, refer to the recommended circuit between the H-UDI port connector and the MCU. In addition, read the E10A-USB emulator user's manual and hardware manual for the related device.

Table 1.2 shows the type number of the emulator, the corresponding connector type, and the use of AUD function.

Table 1.2 Type Number, AUD Function, and Connector Type

Type Number	Connector	AUD Function
HS0005KCU02H	36-pin connector	Available
HS0005KCU01H, HS0005KCU02H	14-pin connector	Not available

The H-UDI port connector has the 36-pin and 14-pin types as described below. Use them according to the purpose of the usage.

1. 36-pin type (with AUD function)

The AUD trace function is supported. A large amount of trace information can be acquired in realtime. The window trace function is also supported for acquiring memory access in the specified range (memory access address or memory access data) by tracing.

2. 14-pin type (without AUD function)

The AUD trace function cannot be used because only the H-UDI function is supported. Since the 14-pin type connector is smaller than the 36-pin type (1/2.5), the area where the connector is installed on the user system can be reduced.

Note: In the R5E70855R or R5E70865R, the AUD pins (AUDCK, AUDA3 to AUDA0, and AUDSYNC#) are assigned to two different pins. When the AUD function is used, connect either of pins to the H-UDI port connector.

1.3 Installing the H-UDI Port Connector on the User System

Table 1.3 shows the recommended H-UDI port connectors for the emulator.

Table 1.3 Recommended H-UDI Port Connectors

Connector	Type Number	Manufacturer	Specifications
36-pin connector	DX10M-36S	Hirose Electric Co., Ltd.	Screw type
	DX10M-36SE, DX10G1M-36SE		Lock-pin type
14-pin connector	2514-6002	Minnesota Mining & Manufacturing Ltd.	14-pin straight type

Note: When designing the 36-pin connector layout on the user board, do not connect any components under the H-UDI connector. When designing the 14-pin connector layout on the user board, do not place any components within 3 mm of the H-UDI port connector.

1.4 Pin Assignments of the H-UDI Port Connector

Figures 1.1 and 1.2 show the pin assignments of the 36-pin and 14-pin H-UDI port connectors, respectively.

Note: Note that the pin number assignments of the H-UDI port connector shown on the following pages differ from those of the connector manufacturer.

Pin No.	Signal	Input/ Output ¹	SH7083 Pin No.	SH7084 Pin No.	SH7085 Pin No.	SH7086 Pin No.	Note	Pin No.	Signal	Input/ Output ¹	SH7083 Pin No.	SH7084 Pin No.	SH7085 Pin No.	SH7086 Pin No.	Note
1	AUDCK	Output	45	53	109/65 ¹⁵	133/89 ¹⁵		19	TMS	Input	76	85	138	172	
2	GND	—	—	—	—	—		20	GND	—	—	—	—	—	
3	AUDATA0	Output	51	60	116/72 ¹⁵	140/97 ¹⁵		21	TRST# ²	Input	77	86	139	174	
4	GND	—	—	—	—	—		22	(GND) ⁴	—	—	—	—	—	
5	AUDATA1	Output	50	59	115/70 ¹⁵	139/95 ¹⁵		23	TDI	Input	78	87	140	175	
6	GND	—	—	—	—	—		24	GND	—	—	—	—	—	
7	AUDATA2	Output	49	58	114/69 ¹⁵	138/93 ¹⁵		25	TDO	Output	79	88	142	176	
8	GND	—	—	—	—	—		26	GND	—	—	—	—	—	
9	AUDATA3	Output	48	57	113/68 ¹⁵	137/92 ¹⁵		27	ASEBRKAK# /ASEBRK# ²	Input/ output	100	102	144	2	
10	GND	—	—	—	—	—		28	GND	—	—	—	—	—	
11	AUDSYNC# ²	Output	44	52	100/64 ¹⁵	124/88 ¹⁵		29	UVCC	Output	—	—	—	—	
12	GND	—	—	—	—	—		30	GND	—	—	—	—	—	
13	N.C.	—	—	—	—	—		31	RES# ²	Output	75	84	108	132	User reset
14	GND	—	—	—	—	—		32	GND	—	—	—	—	—	
15	N.C.	—	—	—	—	—		33	GND ¹³	Output	—	—	—	—	
16	GND	—	—	—	—	—		34	GND	—	—	—	—	—	
17	TCK	Input	80	89	143	1		35	N.C.	—	—	—	—	—	
18	GND	—	—	—	—	—		36	GND	—	—	—	—	—	

Notes: 1. Input to or output from the user system.
 2. The symbol (#) means that the signal is active-low.
 3. The emulator monitors the GND signal of the user system and detects whether or not the user system is connected.
 4. This pin is internally connected to GND in the emulator when connection of the emulator is established.
 5. Use either of pins. For details, refer to section 2.1 (12), Multiplexing the Emulator Pins, in this document.

Figure 1.1 Pin Assignments of the H-UDI Port Connector (36 Pins)

Pin No.	Signal	Input/ Output*1	SH7083 Pin No.	SH7084 Pin No.	SH7085 Pin No.	SH7086 Pin No.	Note
1	TCK	Input	80	89	143	1	
2	TRST#	*2 Input	77	86	139	174	
3	TDO	Output	79	88	142	176	
4	ASEBRKAK# / ASEBRK#	*2 Input/ output	100	102	144	2	
5	TMS	Input	76	85	138	172	
6	TDI	Input	78	87	140	175	
7	RES#	*2 Output	75	84	108	132	User reset
8	N.C.	—					
9	(GND)	*4 —					
11	UVCC	Output					
10, 12, and 13	GND	—					
14	GND	*3 Output					

- Notes: 1. Input to or output from the user system.
 2. The symbol (#) means that the signal is active-low.
 3. The emulator monitors the GND signal of the user system and detects whether or not the user system is connected.
 4. This pin is internally connected to GND in the emulator when connection of the emulator is established.

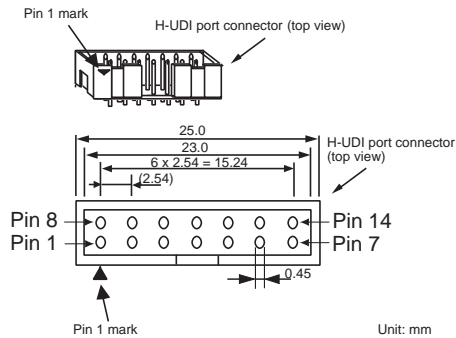


Figure 1.2 Pin Assignments of the H-UDI Port Connector (14 Pins)

1.5 Recommended Circuit between the H-UDI Port Connector and the MCU

1.5.1 Recommended Circuit (36-Pin Type)

Figure 1.3 shows a recommended circuit for connection between the H-UDI and AUD port connectors (36 pins) and the MCU when the emulator is in use.

- Notes:
1. Do not connect anything to the N.C. pins of the H-UDI port connector.
 2. The ASEMD0# pin of the MCU must be 0 when the emulator is connected and 1 when the emulator is not connected, respectively.
 - (1) When the emulator is used: ASEMD0# = 0
 - (2) When the emulator is not used: ASEMD0# = 1Figure 1.3 shows an example of circuits that allow the ASEMD0# pin to be GND (0) whenever the emulator is connected by using the user system interface cable. When the ASEMD0# pin is changed by switches, etc., ground pin 22 of the H-UDI port connector. Do not connect this pin to the ASEMD0# pin.
 3. When a network resistance is used for pull-up, it may be affected by a noise. Separate TCK from other resistances.
 4. The pattern between the H-UDI port connector and the MCU must be as short as possible. Do not connect the signal lines to other components on the board.
 5. The AUD signals (AUDCK, AUDATA3 to AUDATA0, and AUDSYNC#) operate in high speed. Isometric connection is needed if possible. Do not separate connection nor connect other signal lines adjacently.
 6. Supply the operating voltages of the H-UDI and AUD of the MCU to the UVCC pin. Make the emulator's switch settings so that the user power will be supplied (SW2 = 1 and SW3 = 1).
 7. The resistance value shown in figure 1.3 is for reference.
 8. For the pin processing in cases where the emulator is not used, refer to the hardware manual of the related MCU.
 9. For the AUDCK pin, guard the pattern between the H-UDI port connector and the MCU at GND level.

When the circuit is connected as shown in figure 1.3, the switches of the emulator are set as SW2 = 1 and SW3 = 1. For details, refer to section 3.8, Setting the DIP Switches, in the SuperHT™ Family E10A-USB Emulator User's Manual.

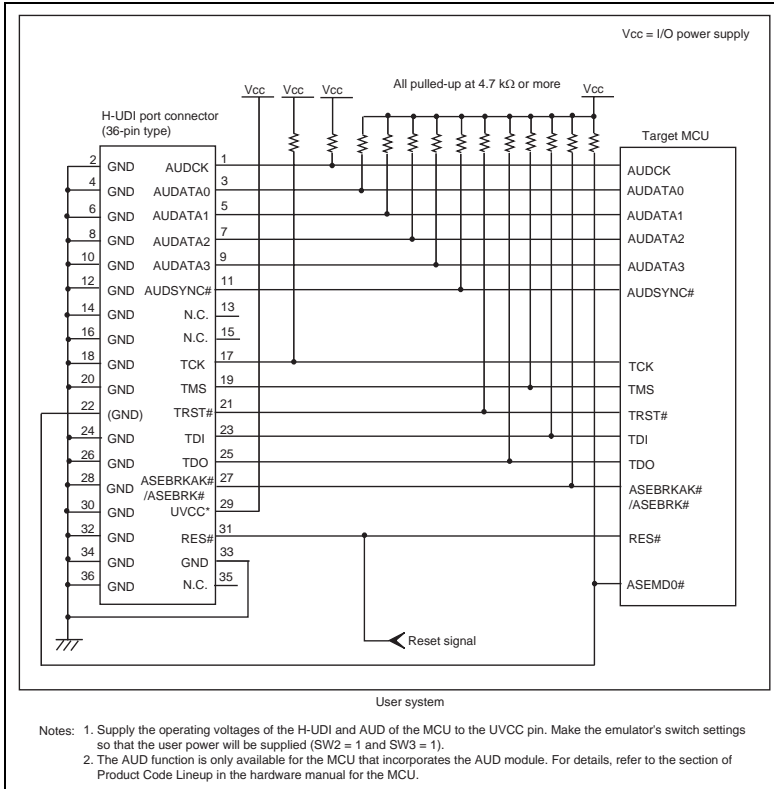


Figure 1.3 Recommended Circuit for Connection between the H-UDI Port Connector and MCU when the Emulator is in Use (36-Pin Type)

1.5.2 Recommended Circuit (14-Pin Type)

Figure 1.4 shows a recommended circuit for connection between the H-UDI port connector (14 pins) and the MCU when the emulator is in use.

- Notes:
1. Do not connect anything to the N.C. pins of the H-UDI port connector.
 2. The ASEMD0# pin of the MCU must be 0 when the emulator is connected and 1 when the emulator is not connected, respectively.
 - (1) When the emulator is used: ASEMD0# = 0
 - (2) When the emulator is not used: ASEMD0# = 1Figure 1.4 shows an example of circuits that allow the ASEMD0# pin to be GND (0) whenever the emulator is connected by using the user system interface cable. When the ASEMD0# pin is changed by switches, etc., ground pin 9 of the H-UDI port connector. Do not connect this pin to the ASEMD0# pin.
 3. When a network resistance is used for pull-up, it may be affected by a noise. Separate TCK from other resistances.
 4. The pattern between the H-UDI port connector and the MCU must be as short as possible. Do not connect the signal lines to other components on the board.
 5. Supply the operating voltage of the H-UDI of the MCU to the UVCC pin. Make the emulator's switch settings so that the user power will be supplied (SW2 = 1 and SW3 = 1).
 6. The resistance value shown in figure 1.4 is for reference.
 7. For the pin processing in cases where the emulator is not used, refer to the hardware manual of the related MCU.

When the circuit is connected as shown in figure 1.4, the switches of the emulator are set as SW2 = 1 and SW3 = 1. For details, refer to section 3.8, Setting the DIP Switches, in the SuperHT™ Family E10A-USB Emulator User's Manual.

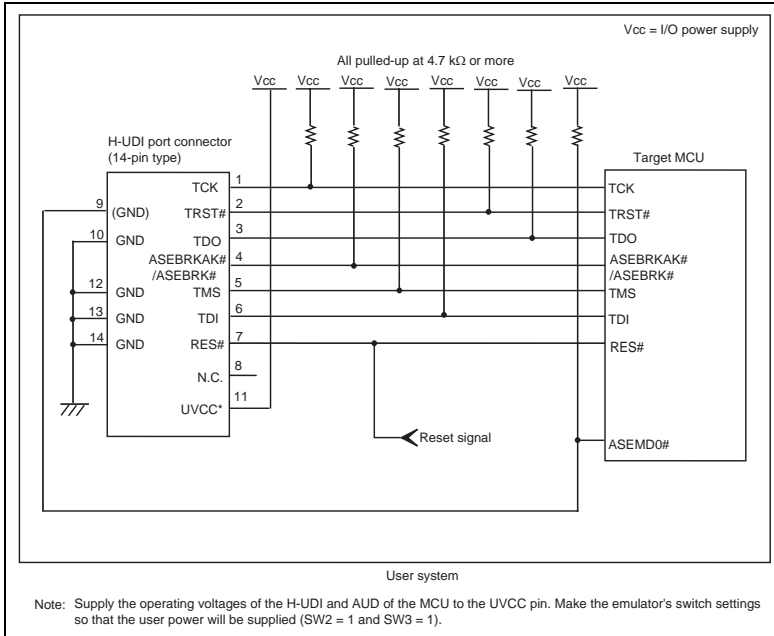


Figure 1.4 Recommended Circuit for Connection between the H-UDI Port Connector and MCU when the Emulator is in Use (14-Pin Type)

Section 2 Software Specifications when Using the SH7080 Series

2.1 Differences between the MCU and the Emulator

1. When the emulator system is initiated, it initializes the general registers and part of the control registers. The initial values of the MCU are undefined. When the emulator is initiated from the workspace, a value to be entered is saved in a session.

Table 2.1 Register Initial Values at Emulator Link Up

Register	Emulator at Link Up
R0 to R14	H'00000000
R15 (SP)	Value of the SP in the power-on reset vector table
PC	Value of the PC in the power-on reset vector table
SR	H'000000F0
GBR	H'00000000
VBR	H'00000000
MACH	H'00000000
MACL	H'00000000
PR	H'00000000

2. The emulator uses the H-UDI; do not access the H-UDI.
3. Low-Power States
 - When the emulator is used, the sleep state can be cleared with either the clearing function or with the [STOP] button, and a break will occur.
 - The memory must not be accessed or modified in software standby state.
 - When the emulator is used, do not use the deep software standby mode.
4. Reset Signals

The MCU reset signals are only valid during emulation started with clicking the GO or STEP-type button. If these signals are enabled on the user system in command input wait state, they are not sent to the MCU.

Note: Do not break the user program when the /RES, /BREQ, or /WAIT signal is being low. A TIMEOUT error will occur. If the /BREQ or /WAIT signal is fixed to low during break, a TIMEOUT error will occur at memory access. (Some MCUs will incorporate no /BREQ or /WAIT signal.)
5. Direct Memory Access Controller (DMAC)/Data Transfer Controller (DTC)

When the MCU incorporates a DMAC, the DMAC operates even when the emulator is used. When a data transfer request is generated, the DMAC executes DMA transfer.

When the MCU incorporates a DTC, the DTC operates even when the emulator is used. When a data transfer request is generated, the DTC executes DTC transfer.

6. Memory Access during User Program Execution

During execution of the user program, memory is accessed by the following two methods, as shown in table 2.2.

Table 2.2 Memory Access during User Program Execution

Method	Description
H-UDI read/write	The stopping time of the user program is short because memory is accessed by the dedicated bus master.
Short break	This method is not used in this product. (Do not set short break.)

The method for accessing memory during execution of the user program is specified by using the [Configuration] dialog box.

Table 2.3 Stopping Time by Memory Access (Reference)

Method	Condition	Stopping Time
H-UDI read/write	Reading of one longword for the internal RAM	Reading: Maximum 2 bus clocks (B ϕ)
	Writing of one longword for the internal RAM	Writing: Maximum 2 bus clocks (B ϕ)

7. Memory Access to the External Flash Memory Area

The emulator can download the load module to the external flash memory area (for details, refer to section 6.22, Download Function to the Flash Memory Area, in the SuperH™ Family E10A-USB Emulator User's Manual). Neither memory write nor BREAKPOINT setting is enabled for the external flash memory area. To set the break condition for the program on the external flash memory, use the Event Condition function.

Some MCUs will incorporate no external flash memory area.

8. Using WDT

The WDT does not operate during break.

9. Loading Sessions

Information in [JTAG clock] of the [Configuration] dialog box cannot be recovered by loading sessions. Thus the TCK value will be as follows:

- When HS0005KCU01H or HS0005KCU02H is used: TCK = 2.5 MHz

10. [IO] Window

- Display and modification

For each watchdog timer register, there are two registers to be separately used for write and read operations.

Table 2.4 Watchdog Timer Register

Register Name	Usage	Register
WTCSR (W)	Write	Watchdog timer control/status register
WTCNT (W)	Write	Watchdog timer counter
WTCSR(R)	Read	Watchdog timer control/status register
WTCNT(R)	Read	Watchdog timer counter

After the I/O-register definition file is created, the MCU's specifications may be changed. If each I/O register in the I/O-register definition file differs from addresses described in the hardware manual, change the I/O-register definition file according to the description in the hardware manual. The I/O-register definition file can be customized depending on its format. Note that, however, the emulator does not support the bit-field function.

- Verify

In the [IO] window, the verify function of the input value is disabled.

11. Illegal Instructions

Do not execute illegal instructions with STEP-type commands.

12. MCU Operating Mode

Boot mode, user boot mode, and user programming mode are not supported. For this reason, the on-chip flash memory cannot be programmed while the user program is running.

13. Multiplexing the Emulator Pins

The emulator pin is assigned as shown in table 2.5.

Table 2.5 Multiplexed Functions

MCU	Function 1	Function 2
R5E70835R	PE0/DREQ0/TIOC0A	TMS
	PE1/TEND0/TIOC0B	TRST#
	PE2/DREQ1/TIOC0C	TDI
	PE3/TEND1/TIOC0D	TDO
	PE4/TIOC1A/RXD3	TCK
	PE13/TIOC4B/MRES#	ASEBRKAK#/ASEBRK#
	PD8/D8/TIOC3AS	AUDATA0
	PD9/D9/TIOC3BS	AUDATA1
	PD10/D10/TIOC3CS	AUDATA2
	PD11/D11/TIOC3DS	AUDATA3
	PD14/D14/TIOC4CS	AUDCK
	PD15/D15/TIOC4DS	AUDSYNC#
R5E70845R	PE0/DREQ0/TIOC0A	TMS
	PE1/TEND0/TIOC0B	TRST#
	PE2/DREQ1/TIOC0C	TDI
	PE3/TEND1/TIOC0D	TDO
	PE4/TIOC1A/RXD3	TCK
	PE5/CS6#/TIOC1B/TXD3	ASEBRKAK#/ASEBRK#
	PD8/D8/TIOC3AS	AUDATA0
	PD9/D9/TIOC3BS	AUDATA1
	PD10/D10/TIOC3CS	AUDATA2
	PD11/D11/TIOC3DS	AUDATA3
	PD14/D14/TIOC4CS	AUDCK
	PD15/D15/TIOC4DS	AUDSYNC#

Table 2.5 Multiplexed Functions (cont)

MCU	Function 1	Function 2
R5E70855R	PE8/TIOC3A/SCK2/SSCK	TMS
	PE9/TIOC3B/SCK3/RTS3#	TRST#
	PE10/TIOC3C/TXD2/SSO	TDI
	PE11/TIOC3D/RXD3/CTS3#	TDO
	PE12/TIOC4A/TXD3/SCS#	TCK
	PE13/TIOC4B/MRES#	ASEBRKAK#/ASEBRK#
	PD16/D16/IRQ0/POE4#	AUDATA0
	PD17/D17/IRQ1/POE5#	AUDATA1
	PD18/D18/IRQ2/POE6#	AUDATA2
	PD19/D19/IRQ3/POE7#	AUDATA3
	PD22/D22/IRQ6/TIC5US	AUDCK
	PD23/D23/IRQ7	AUDSYNC#
	PA16/WRHH#/ICIOWR#/ AH/DQMUU#/#/CKE/DREQ2	AUDSYNC#
	PE0/DREQ0/TIOC0A	AUDCK
	PE3/TEND1/TIOC0D	AUDATA3
	PE4/IOIS16#/TIOC1A/RXD3	AUDATA2
	PE5/CS6#/CE1B#/TIOC1B/TXD3	AUDATA1
	PE6/CS7#/TIOC2A/SCK3	AUDATA0
R5E70865R	PE8/TIOC3A/SCK2/SSCK	TMS
	PE9/TIOC3B/SCK3/RTS3#	TRST#
	PE10/TIOC3C/TXD2/SSO	TDI
	PE11/TIOC3D/RXD3/CTS3#	TDO
	PE12/TIOC4A/TXD3/SCS#	TCK
	PE13/TIOC4B/MRES#	ASEBRKAK#/ASEBRK#
	PD16/D16/IRQ0/POE4#	AUDATA0
	PD17/D17/IRQ1/POE5#	AUDATA1
	PD18/D18/IRQ2/POE6#	AUDATA2
	PD19/D19/IRQ3/POE7#	AUDATA3
	PD22/D22/IRQ6/TIC5US	AUDCK
	PD23/D23/IRQ7	AUDSYNC#

Table 2.5 Multiplexed Functions (cont)

MCU	Function 1	Function 2
R5E70865R (cont)	PA16/WRHH#/ICLOWR#/ AH/DQMUU#/CKE/DREQ2	AUDSYNC#
	PE0/DREQ0/TIOC0A	AUDCK
	PE3/TEND1/TIOC0D	AUDATA3
	PE4/IOIS16#/TIOC1A/RXD3	AUDATA2
	PE5/CS6#/CE1B#/TIOC1B/TXD3	AUDATA1
	PE6/CS7#/TIOC2A/SCK3	AUDATA0
R5F70834A/ R5F70835A	PE0/DREQ0/TIOC0A	TMS
	PE1/TEND0/TIOC0B	TRST#
	PE2/DREQ1/TIOC0C	TDI
	PE3/TEND1/TIOC0D	TDO
	PE4/TIOC1A/RXD3	TCK
	PE13/TIOC4B/MRES#	ASEBRKAK#/ASEBRK#
R5F70844A/ R5F70845A	PE0/DREQ0/TIOC0A	TMS
	PE1/TEND0/TIOC0B	TRST#
	PE2/DREQ1/TIOC0C	TDI
	PE3/TEND1/TIOC0D	TDO
	PE4/TIOC1A/RXD3	TCK
	PE5/CS6#/TIOC1B/TXD3	ASEBRKAK#/ASEBRK#
R5F70854A/ R5F70855A	PE8/TIOC3A/SCK2/SSCK	TMS
	PE9/TIOC3B/SCK3/RTS3#	TRST#
	PE10/TIOC3C/TXD2/SSQ	TDI
	PE11/TIOC3D/RXD3/CTS3#	TDO
	PE12/TIOC4A/TXD3/SCS#	TCK
	PE13/TIOC4B/MRES#	ASEBRKAK#/ASEBRK#
R5F70865A	PE8/TIOC3A/SCK2/SSCK	TMS
	PE9/TIOC3B/SCK3/RTS3	TRST#
	PE10/TIOC3C/TXD2/SSQ	TDI
	PE11/TIOC3D/RXD3/CTS3#	TDO
	PE12/TIOC4A/TXD3/SCS#	TCK
	PE13/TIOC4B/MRES#	ASEBRKAK#/ASEBRK#

The emulator pins are multiplexed with other pins. When the emulator is connected, function 1 cannot be used because the emulator uses the pins that TCK, TMS, TDI, TDO, TRST#, and ASEBRKAK#/ASEBRK# have been multiplexed. Function 1 can be used when the pins that AUD has been multiplexed are not connected to the emulator.

When the multiplexed pins are used as the AUD functions, set the AUD pins to be used from [AUD pin select] of the [Configuration] dialog box. The multiplexed pins are fixed to be used as the AUD function.

2.2 Specific Functions for the Emulator when Using the SH7080 Series

2.2.1 Event Condition Functions

The emulator is used to set event conditions for the following three functions:

- Break of the user program
- Internal trace
- Start or end of performance measurement

Table 2.6 lists the types of Event Condition.

Table 2.6 Types of Event Condition

Event Condition Type	Description
Address bus condition (Address)	Sets a condition when the address bus (data access) value or the program counter value (before or after execution of instructions) is matched.
Data bus condition (Data)	Sets a condition when the data bus value is matched. Byte, word, or longword can be specified as the access data size.
Bus state condition (Bus State)	There are two bus state condition settings: Bus state condition: Sets a condition when the data bus value is matched. Read/Write condition: Sets a condition when the read/write condition is matched.
Count	Sets a condition when the specified other conditions are satisfied for the specified counts.
Action	Selects the operation when a condition (such as a break, a trace halt condition, or a trace acquisition condition) is matched.

To specify a sequential condition or the start or end of performance measurement, use the [Combination action (Sequential or PtoP)] dialog box that is opened by selecting [Combination action (Sequential or PtoP)] from the pop-up menu on the [Event Condition] sheet.

- When matching of the program counter value is a condition of Event Condition for internal trace acquisition (i.e. [Only program fetched address] or [Only program fetched address after] is selected), do not specify addresses in the on-chip ROM or on-chip RAM as the address condition.
- If you specify a break (by selecting the [Acquire Break] checkbox) and trace acquisition (by selecting [Condition] from the [Acquire Trace] list box) on the [Action] page as the action to take when a condition of Event Condition is satisfied, setting of the trace acquisition will be ignored.

Table 2.7 lists the combinations of conditions that can be set under Ch1 to Ch10.

Table 2.7 Dialog Boxes for Setting Event Conditions

Dialog Box	Function					Action (for the use of R5F70834A/ R5F70835A/ R5F70844A/ R5F70845A/ R5F70854A/ R5F70855A/ R5F70865A)	
	Address Bus Condition (Address)	Data Bus Condition (Data)	Bus State Condition (Bus State)	Count Condition (Count)	Action (for the use of R5E70835R/ R5E70845R/ R5E70855R/ R5E70865R)		
[Event Condition 1]	Ch1	O	O	O	O	O (B, T1, and P)	O (B and P)
[Event Condition 2]	Ch2	O	O	O	X	O (B, T1, and P)	O (B and P)
[Event Condition 3]	Ch3	O	X	X	X	O (B and T2)	O (B)
[Event Condition 4]	Ch4	O	X	X	X	O (B and T3)	O (B)
[Event Condition 5]	Ch5	O	X	X	X	O (B and T3)	Ch5 to Ch10 are not available.
[Event Condition 6]	Ch6	O	X	X	X	O (B and T2)	
[Event Condition 7]	Ch7	O	X	X	X	O (B and T2)	
[Event Condition 8]	Ch8	O	X	X	X	O (B and T2)	
[Event Condition 9]	Ch9	O	X	X	X	O (B and T2)	
[Event Condition 10]	Ch10	O	X	X	X	O (B and T2)	

Notes: 1. O: Can be set in the dialog box.
X: Cannot be set in the dialog box.

2. For the Action item,
B: Setting a break is enabled. (For the count condition, setting a break is only enabled.)
T1: Setting the trace halt and acquisition conditions are enabled for the internal trace.
T2: Setting the trace halt is enabled for the internal trace.
T3: Setting the trace halt and point-to-point is enabled for the internal trace.
P: Setting a performance-measurement start or end condition is enabled.

Ch1 to Ch4 are available for using the MCUs R5F70834A/R5F70835A/R5F70844A/R5F70845A/
R5F70854A/R5F70855A/R5F70865A.

Sequential Setting: Use the [Combination action (Sequential or PtoP)] dialog box to specify a sequential condition or the start or end of performance measurement.

Table 2.8 Conditions to Be Set

Classification	Item	Description
[Ch1, 2, 3] list box		Sets the sequential condition and the start or end of performance measurement using Event Conditions 1 to 3.
	Don't care	Sets no sequential condition or the start or end of performance measurement.
	Break: Ch3-2-1	Breaks when a condition is satisfied in the order of Event Condition 3, 2, 1.
	Break: Ch2-1	Breaks when a condition is satisfied in the order of Event Condition 2, 1.
	I-Trace stop: Ch3-2-1	Halts acquisition of an internal trace when a condition is satisfied in the order of Event Condition 3, 2, 1.
	I-Trace stop: Ch2-1	Halts acquisition of an internal trace when a condition is satisfied in the order of Event Condition 2, 1.
	Ch2 to Ch1 PA	Sets the performance measurement period during the time from the satisfaction of the condition set in Event Condition 2 (start condition) to the satisfaction of the condition set in Event Condition 1 (end condition).
	Ch1 to Ch2 PA	Sets the performance measurement period during the time from the satisfaction of the condition set in Event Condition 1 (start condition) to the satisfaction of the condition set in Event Condition 2 (end condition).
[Ch4, 5] list box		Sets the point-to-point of the internal trace (the start or end condition of trace acquisition) using Event Conditions 4 and 5.
	Don't care	Sets no start or end condition of trace acquisition.
	I-Trace: Ch5 to Ch4 PtoP	Sets the acquisition period during the time from the satisfaction of the condition set in Event Condition 5 (start condition) to the satisfaction of the condition set in Event Condition 4 (end condition).

- Notes:
1. If the start condition is satisfied after the end condition has been satisfied by measuring performance, performance measurement will be restarted. For the measurement result after a break, the measurement results during performance measurement are added.
 2. If the start condition is satisfied after the end condition has been satisfied by the point-to-point of the internal trace, trace acquisition will be restarted.
 3. When the start or end of performance measurement is used, the count for specifying the condition of Event Condition 1 must be once.
 4. When using the MCUs R5F70834A/R5F70835A/R5F70844A/R5F70845A/R5F70854A/R5F70855A/R5F70865A, [I-Trace stop: Ch3-2-1], [I-Trace stop: Ch2-1], and [I-Trace stop: Ch5 to Ch4 PtoP] items are not available.

Usage Example of Sequential Break Extension Setting: A tutorial program provided for the product is used as an example. For the tutorial program, refer to section 6, Tutorial, in the SuperH™ Family E10A-USB Emulator User's Manual.

The conditions of Event Condition are set as follows:

1. Ch3
Breaks address H'00001068 when the condition [Only program fetched address after] is satisfied.
2. Ch2
Breaks address H'0000107a when the condition [Only program fetched address after] is satisfied.
3. Ch1
Breaks address H'00001086 when the condition [Only program fetched address after] is satisfied.
Note: Do not set other channels.
4. Sets the content of the [Ch1,2,3] list box to [Break: Ch 3-2-1] in the [Combination action (Sequential or PtoP)] dialog box.
5. Enables the condition of Event Condition 1 from the popup menu by clicking the right mouse button on the [Event Condition] sheet.

Then, set the program counter and stack pointer (PC = H'00000800, R15 = H'00010000) in the [Registers] window and click the [Go] button. If this does not execute normally, issue a reset and execute the above procedures.

The program is executed up to the condition of Ch1 and halted. Here, the condition is satisfied in the order of Ch3 -> 2 -> 1.

0x00001058		
0x00001068	●	
0x00001070		
0x00001076		
0x0000107a	●	
0x0000107e		
0x00001082		
0x00001086	●	↔
0x0000108a		
0x0000108e		
0x00001092		
0x00001096		
0x0000109a		
0x0000109e		

```

    }
    a[i] = j;
}
p_sam->sort(a);
p_sam->change(a);

p_sam->s0=a[0];
p_sam->s1=a[1];
p_sam->s2=a[2];
p_sam->s3=a[3];
p_sam->s4=a[4];
p_sam->s5=a[5];
p_sam->s6=a[6];
p_sam->s7=a[7];
p_sam->s8=a[8];
p_sam->s9=a[9];
delete p_sam;
}

```

Figure 2.1 [Source] Window at Execution Halted (Sequential Break)

If the sequential condition, performance measurement start/end, or point-to-point for the internal trace is set, conditions of Event Condition to be used will be disabled. Such conditions must be enabled from the popup menu by clicking the right mouse button on the [Event Condition] sheet.

- Notes:
1. If the Event condition is set for the slot in the delayed branch instruction by the program counter (after execution of the instruction), the condition is satisfied before executing the instruction in the branch destination (when a break has been set, it occurs before executing the instruction in the branch destination).
 2. Do not set the Event condition for the SLEEP instruction by the program counter (after execution of the instruction).
Do not set the data access condition before executing one or two instructions in the SLEEP instruction.
 3. If the power-on reset and the Event condition are matched simultaneously, no condition will be satisfied.
 4. If a condition of which intervals are satisfied closely is set, no sequential condition will be satisfied. Set the Event conditions sequentially, which are satisfied closely, by the program counter with intervals of two or more instructions.
The CPU is structured as a pipeline; the order between the instruction fetch cycle and the memory cycle is determined by the pipeline. Accordingly, when the channel condition is matched in the order of bus cycle, the sequential condition is satisfied.
 5. If the settings of the Event condition or the sequential conditions are changed during execution of the program, execution will be suspended. (The number of clocks to be suspended during execution of the program is a maximum of about 52 bus clocks (B ϕ). If the bus clock (B ϕ) is 10.0 MHz, the program will be suspended for 5.2 μ s.)
 6. If the settings of Event conditions or the sequential conditions are changed during execution of the program, the emulator temporarily disables all Event conditions to change the settings. During this period, no Event condition will be satisfied.
 7. If the satisfaction is contended between the DMA or DTC transfer and conditions of Event Condition including the external bus access condition, the followings may be disabled: generation of a break after the satisfaction of conditions of Event Condition, halting and acquisition of the internal trace, and the start or end of performance measurement.
 8. When the emulator is being connected, the user break controller (UBC) function is not available.

2.2.2 Trace Functions

The emulator supports the trace functions listed in table 2.9.

The trace functions in table 2.9 are available for using the MCUs R5E70835R/R5E70845R/R5E70855R/R5E70865R.

Table 2.9 Trace Functions

Function	Internal Trace	AUD Trace
Branch trace	Supported	Supported
Memory access trace	Supported	Supported
Software trace	Not supported	Supported

Table 2.10 shows the type numbers that the AUD function can be used.

Table 2.10 Type Number and AUD Function

Type Number	AUD Function
HS0005KCU01H	Not supported
HS0005KCU02H	Supported

When using the MCUs R5F70834A/R5F70835A/R5F70844A/R5F70845A/R5F70854A/R5F70855A/R5F70865A, only the four-branch (source and destination) internal trace functions are available. Using the AUD trace or setting the trace acquisition condition is not possible.

The internal and AUD traces are set in the [Acquisition] dialog box of the [Trace] window.

Internal Trace Function: When [I-Trace] is selected for [Trace type] on the [Trace Mode] page of the [Acquisition] dialog box, the internal trace can be used.

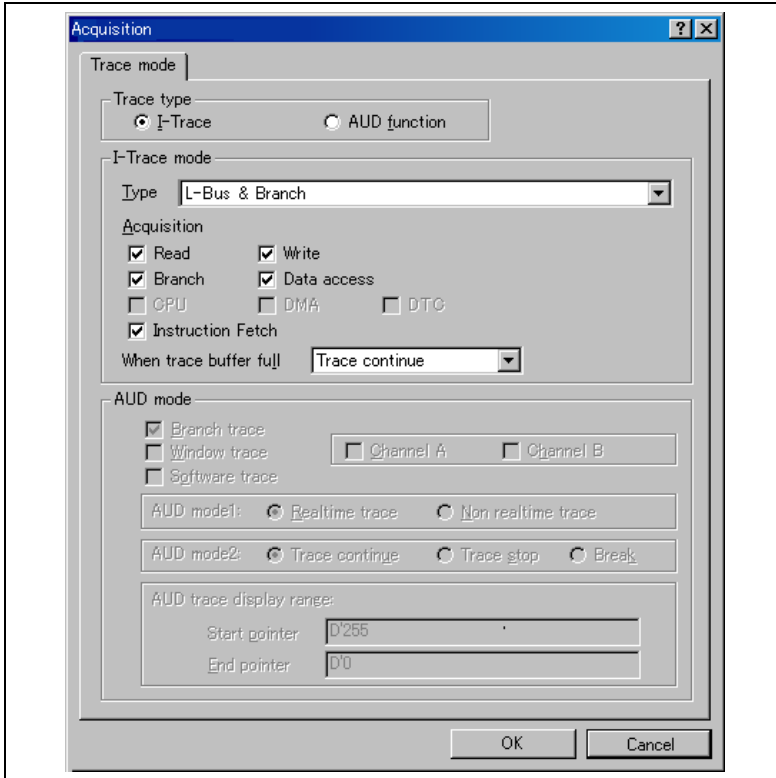


Figure 2.2 [Acquisition] Dialog Box (Internal Trace Function)

The following three items can be selected as the internal trace from [Type] of [I-Trace mode].

Table 2.11 Information on Acquiring the Internal Trace

Item	Acquisition Information
[L-Bus & Branch]	Acquires the data and branch information on the L-bus. <ul style="list-style-type: none"> • Data access (read/write) • Branch information • Instruction fetch
[I-Bus]	Acquires the data on the I-bus. <ul style="list-style-type: none"> • Data access (read/write) • Selection of the bus master on the I-bus (CPU/DMA/DTC) • Instruction fetch
[I-Bus, L-Bus & Branch]	Acquires the contents of [L-Bus & Branch] and [I-Bus].

After selecting [Type] of [I-Trace mode], select the content to be acquired from [Acquisition]. Typical examples are described below (note that items disabled for [Acquisition] are not acquired).

For the MCUs that incorporate neither DMAC nor DTC, do not select DMA or DTC when selecting the bus master on the I-bus.

- Example of acquiring branch information only:
Select [L-Bus & Branch] from [Type] and enable [Branch] on [Acquisition].
- Example of acquiring the read or write access (L-bus) only by a user program:
Select [L-Bus & Branch] from [Type] and enable [Read], [Write], and [Data access] on [Acquisition].
- Example of acquiring the read access only by DMA (I-bus):
Select [I-Bus] from [Type] and enable [Read], [DMA], and [Data access] on [Acquisition].

Using Event Condition restricts the condition; the following three items are set as the internal trace conditions.

Table 2.12 Trace Conditions of the Internal Trace

Item	Acquisition Information
Trace halt	Acquires the internal trace until the Event Condition is satisfied. (The trace content is displayed in the [Trace] window after a trace has been halted. No break occurs in the user program.)
Trace acquisition condition	Acquires only the data access where the Event Condition is satisfied.
Point-to-point	Traces the period from the satisfaction of Event Condition 5 to the satisfaction of Event Condition 4.

To restrict trace acquisition to access for only a specific address or specific function of a program, an Event Condition can be used. Typical examples are described below.

- Example of halting a trace with a write access (L-bus) to H'FFFF8000 by the user program as a condition (trace halt):
Set the condition to be acquired on [I-Trace mode].
Set the following in the [Event Condition 1] or [Event Condition 2] dialog box:
Address condition: Set [Address] and H'FFFF8000.
Bus state condition: Set [L-Bus] and [Write].
Action condition: Disable [Acquire Break] and set [Acquire Trace] for [Stop].
- Example of acquiring the write access (L-bus) only to H'FFFF8000 by the user program (trace acquisition condition):
Select [L-Bus & Branch] from [Type] and enable [Write] and [Data access] on [Acquisition].
Set the following in the [Event Condition 1] or [Event Condition 2] dialog box:
Address condition: Set [Address] and H'FFFF8000.
Bus state condition: Set [L-Bus] and [Write].
Action condition: Disable [Acquire Break] and set [Acquire Trace] for [Condition].

For the trace acquisition condition, the condition to be acquired by Event Condition should be acquired by [I-Trace mode].

- Example of acquiring a trace for the period while the program passes H'1000 through H'2000 (point-to-point):
Set the condition to be acquired on [I-Trace mode].
Set the address condition as H'1000 in the [Event Condition 5] dialog box.
Set the address condition as H'2000 in the [Event Condition 4] dialog box.
Set [Ch4,5] as [I-Trace Ch5 to Ch4 PtoP] in the [Combination action (Sequential or PtoP)] dialog box.

When point-to-point and trace acquisition condition are set simultaneously, they are ANDed.

Notes on Internal Trace:

- **Timestamp**

The timestamp is twice the crystal oscillator or the external clock that is connected to or input to the target MCU. Table 2.13 shows the timing for acquiring the timestamp.

Table 2.13 Timing for the Timestamp Acquisition

Item	Counter Value Stored in the Trace Memory
L-bus instruction fetch	Counter value when instruction fetch has been completed
L-bus data access	Counter value when data access has been completed
Branch	Counter value when the next bus cycle has been completed after a branch
I-bus fetch	Counter value when a fetch has been completed
I-bus data access	Counter value when data access has been completed

- **Point-to-point**

The trace-start condition is satisfied when the specified instruction has been fetched.

Accordingly, if the trace-start condition has been set for the overrun-fetched instruction (an instruction that is not executed although it has been fetched at a branch or transition to an interrupt), tracing is started during overrun-fetching of the instruction. However, when overrun-fetching is achieved (a branch is completed), tracing is automatically suspended.

If the start and end conditions are satisfied closely, trace information will not be acquired correctly.

The execution cycle of the instruction fetched before the start condition is satisfied may be traced.

- **Halting a trace**

Do not set the trace end condition for the sleep instruction and the branch instruction that the delay slot becomes the sleep instruction.

- **Trace acquisition condition**

Do not set the trace end condition for the sleep instruction and the branch instruction according to which the delay slot becomes the sleep instruction.

When [I-Bus, L-Bus & Branch] is selected and the trace acquisition condition is set for the L-bus and I-bus with Event Condition, set the L-bus condition and the I-bus condition for [Event Condition 1] and [Event Condition 2], respectively.

If the settings of [I-Trace mode] are changed during execution of the program, execution will be suspended. (The number of clocks to be suspended during execution of the program is a maximum of about 26 bus clocks (B ϕ). If the bus clock (B ϕ) is 10.0 MHz, the program will be suspended for 2.6 μ s.)

Do not use the data condition as the trace acquisition condition.

- **Displaying a trace**

If a trace is displayed during execution of the program, execution will be suspended to acquire the trace information. (The number of clocks to be suspended during execution of the program is a maximum of about 16384 peripheral clocks (P ϕ) + 12310 bus clocks (B ϕ). If the peripheral clock (P ϕ) is 10.0 MHz and the bus clock (B ϕ) is 10.0 MHz, the program will be suspended for 2.87 ms.)

If a break occurs with the Event Condition, when one or two instructions have been executed after a break occurred in an instruction and there is an unconditional branch, a trace result will be displayed even if the unconditional branch has not been executed.

The trace acquisition result of the DMA or DTC transfer may not be displayed correctly. In such a case, a master where the trace has been generated or a line for displaying the trace will be blank.

- **Restarting trace acquisition after halting**

Restarting trace acquisition is disabled during execution of the user program; a break must be generated.

- **Note on execution of the user program**

Do not change trace settings during execution of the user program; trace acquisition may be disabled. The following trace settings will be changed: the conditions of Event Condition, the sequential conditions satisfied by Event Condition, and internal trace set in the [Acquisition] dialog box. To change these settings, a break must be generated.

AUD Trace Functions: This function is operational when the AUD pin of the device is connected to the emulator. Table 2.14 shows the AUD trace acquisition mode that can be set in each trace function.

Table 2.14 AUD Trace Acquisition Mode

Type	Mode	Description
Continuous trace occurs	Realtime trace	When the trace information is being generated intensely that the output from the AUD pin incapable of keeping up, the CPU temporarily suspends the output of trace information. Therefore, although the user program is run in real time, the acquisition of some trace information might not be possible.
	Non realtime trace	When trace information is being generated so intensely that the output from the AUD pin is incapable of keeping up, CPU operations are temporarily suspended and the output of trace information takes priority. In such cases, the realtime characteristics of the user program are lost.
Trace buffer full	Trace continue	This function overwrites the latest trace information to store the oldest trace information.
	Trace stop	After the trace buffer becomes full, the trace information is no longer acquired. The user program is continuously executed.

To set the AUD trace acquisition mode, click the [Trace] window with the right mouse button and select [Setting] from the pop-up menu to display the [Acquisition] dialog box. The AUD trace acquisition mode can be set in the [AUD mode1] or [AUD mode2] group box in the [Trace mode] page of the [Acquisition] dialog box.

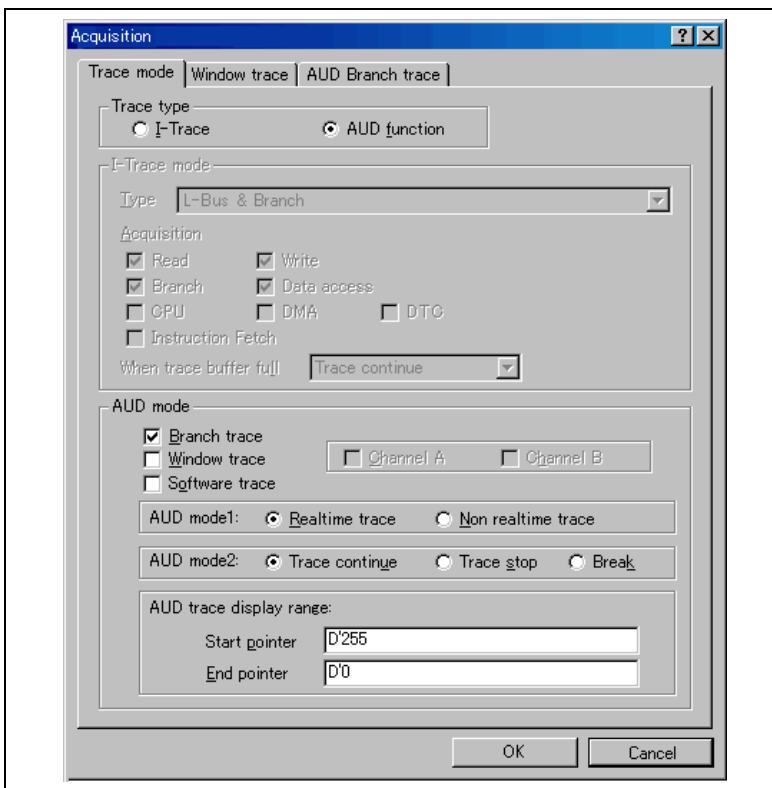


Figure 2.3 [Trace mode] Page

When the AUD trace function is used, select the [AUD function] radio button in the [Trace type] group box of the [Trace mode] page.

(a) Branch Trace Function

The branch source and destination addresses and their source lines are displayed.

Branch trace can be acquired by selecting the [Branch trace] check box in the [AUD function] group box of the [Trace mode] page.

The branch type can be selected in the [AUD Branch trace] page.

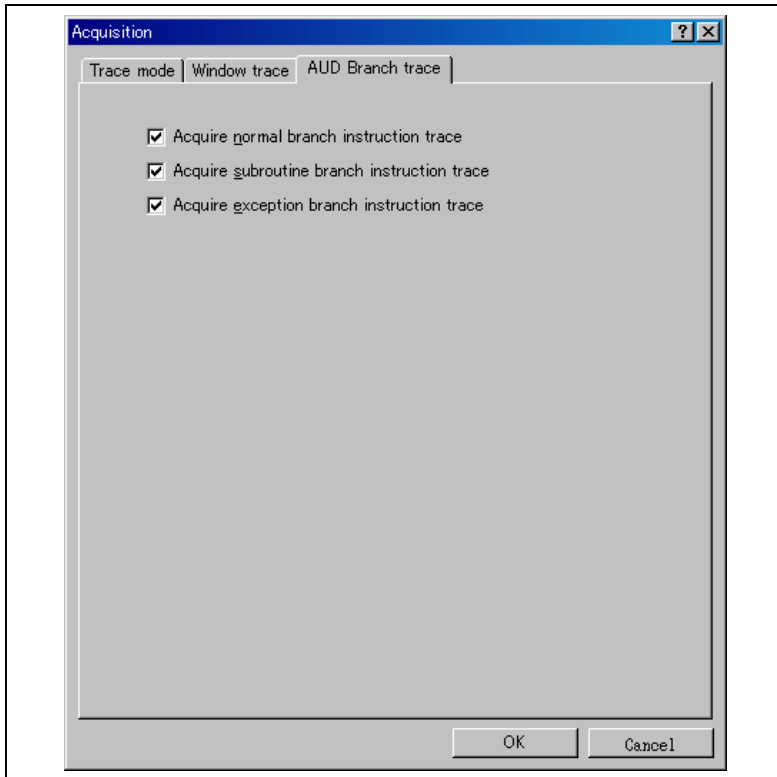


Figure 2.4 [AUD Branch trace] Page

(b) Window Trace Function

Memory access in the specified range can be acquired by trace.

Two memory ranges can be specified for channels A and B. The read, write, or read/write cycle can be selected as the bus cycle for trace acquisition.

[Setting Method]

- (i) Select the [Channel A] and [Channel B] check boxes in the [AUD function] group box of the [Trace mode] page. Each channel will become valid.
- (ii) Open the [Window trace] page and specify the bus cycle and memory range that are to be set for each channel.

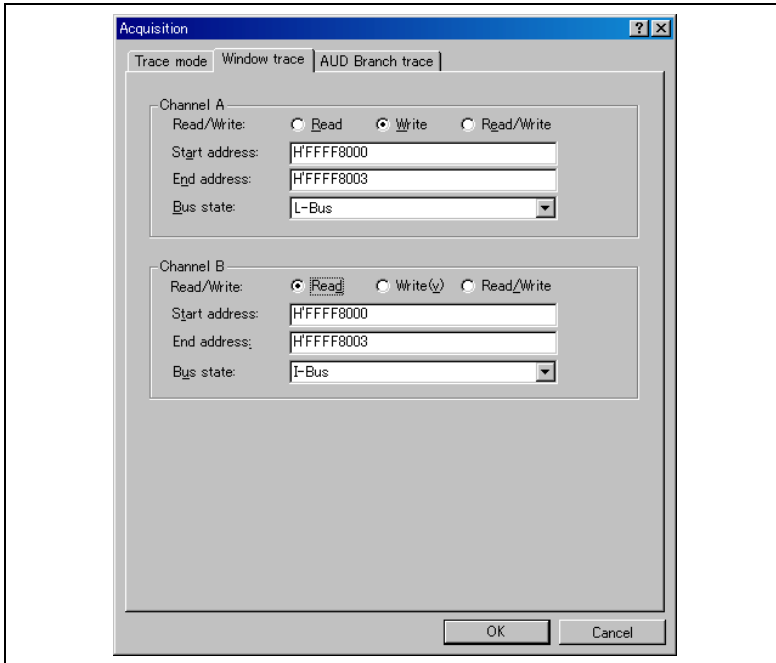


Figure 2.5 [Window trace] Page

Note: When [L-Bus] or [I-Bus] is selected, the following bus cycles will be traced.

- L-Bus: A bus cycle generated by the CPU is acquired.
- I-Bus: A bus cycle generated by the CPU, DMA, or DTC is acquired. (Some MCUs will incorporate no DMAC or DTC.)

(c) Software Trace Function

Note: This function can be supported with SHC/C++ compiler (manufactured by Renesas Electronics Corp.; including OEM and bundle products) V7.0 or later.

When a specific instruction is executed, the PC value at execution and the contents of one general register are acquired by trace. Describe the Trace(x) function (x is a variable name) to be compiled and linked beforehand. For details, refer to the SHC manual.

When the load module is downloaded on the emulator and is executed while a software trace function is valid, the PC value that has executed the Trace(x) function, the general register value for x, and the source lines are displayed.

To activate the software trace function, select the [Software trace] check box in the [AUD function] group box of the [Trace mode] page.

Notes on AUD Trace:

1. When the trace display is performed during user program execution, the mnemonics, operands, or sources are not displayed.
2. The AUD branch trace function outputs the differences between newly output branch source addresses and previously output branch source addresses. The window trace function outputs the differences between newly output addresses and previously output addresses. If the previous branch source address is the same as the upper 16 bits, the lower 16 bits are output. If it matches the upper 24 bits, the lower 8 bits are output. If it matches the upper 28 bits, the lower 4 bits are output.
The emulator regenerates the 32-bit address from these differences and displays it in the [Trace] window. If the emulator cannot display the 32-bit address, it displays the difference from the previously displayed 32-bit address.
3. If the 32-bit address cannot be displayed, the source line is not displayed.
4. If a completion-type exception occurs during exception branch acquisition, the next address to the address in which an exception occurs is acquired.
5. The AUD trace is disabled while the profiling function is used.
6. Set the AUD clock (AUDCK) frequency to 20 MHz or lower. If the frequency is higher than 20 MHz, the emulator will not operate normally.

2.2.3 Notes on Using the JTAG (H-UDI) Clock (TCK)

1. Set the JTAG clock (TCK) frequency to 1/4 or lower than the frequency of the peripheral clock (Pφ) and to 2 MHz or more.
2. The initial value of the JTAG clock (TCK) is 2.5 MHz.
3. A value to be set for the JTAG clock (TCK) is initialized after executing [Reset CPU] or [Reset Go]. Thus the TCK value will be 2.5 MHz.

2.2.4 Notes on Setting the [Breakpoint] Dialog Box

1. When an odd address is set, the next lowest even address is used.
2. A BREAKPOINT is accomplished by replacing instructions of the specified address. Accordingly, it can be set only to the internal RAM area. A BREAKPOINT cannot be set to the following addresses:
 - An area other than CS, the internal RAM, and the internal flash memory
 - An instruction in which Break Condition 2 is satisfied
 - A slot instruction of a delayed branch instruction
3. During step operation, specifying BREAKPOINTS and Event Condition breaks are disabled.
4. When execution resumes from the address where a BREAKPOINT is specified and a break occurs before Event Condition execution, single-step operation is performed at the address before execution resumes. Therefore, realtime operation cannot be performed.
5. If an address of a BREAKPOINT cannot be correctly set in the ROM or external flash memory area, a mark ● will be displayed in the [BP] area of the address on the [Source] or [Disassembly] window by refreshing the [Memory] window, etc. after Go execution. However, no break will occur at this address. When the program halts with the event condition, the mark ● disappears.

2.2.5 Notes on Setting the [Event Condition] Dialog Box and the BREAKCONDITION_SET Command

1. When [Go to cursor], [Step In], [Step Over], or [Step Out] is selected, the settings of Event Condition 3 are disabled.
2. When an Event Condition is satisfied, emulation may stop after two or more instructions have been executed.
3. Under the following conditions, the emulator shows the cause of last break when the internal trace buffer becomes full.
 - A break of the user program has been specified as the action to take when the internal trace buffer becomes full.
 - The user program has started to run from the address where a condition of Event Condition was set.

2.2.6 Performance Measurement Function

The emulator supports the performance measurement function.

1. Setting the performance measurement conditions

To set the performance measurement conditions, use the [Performance Analysis] dialog box and the PERFORMANCE_SET command. When any line in the [Performance Analysis] window is clicked with the right mouse button, a popup menu is displayed and the [Performance Analysis] dialog box can be displayed by selecting [Setting].

Note: For the command line syntax, refer to the online help.

(a) Specifying the measurement start/end conditions

The measurement start/end conditions are specified by using Event Condition 1,2. The [Ch1,2,3] list box of the [Combination action (Sequential PtoP)] dialog box can be used.

Table 2.15 Measurement Period

Classification	Item	Description
Selection in the [Ch1, 2, 3] list box	Ch2 to Ch1 PA	The period from the satisfaction of the condition set in Event Condition 2 (start condition) to the satisfaction of the condition set in Event Condition 1 (end condition) is set as the performance measurement period.
	Ch1 to Ch2 PA	The period from the satisfaction of the condition set in Event Condition 1 (start condition) to the satisfaction of the condition set in Event Condition 2 (end condition) is set as the performance measurement period.
	Other than above	The period from the start of execution of the user program to the occurrence of a break is measured.

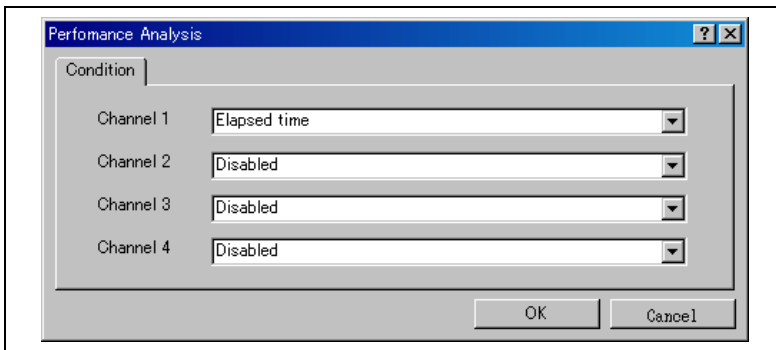


Figure 2.6 [Performance Analysis] Dialog Box

For measurement tolerance,

- The measured value includes tolerance.
- Tolerance will be generated before or after a break.

Note: When [Ch2 to Ch1 PA] or [Ch1 to Ch2 PA] is selected, to execute the user program, specify conditions set in Event Condition 2 and Event Condition 1 and one or more items for performance measurement.

(b) Measurement item

Items are measured with [Channel 1 to 4] in the [Performance Analysis] dialog box.

Maximum four conditions can be specified at the same time. Table 2.16 shows the measurement items.

Table 2.16 Measurement Item

Selected Name	Option
Disabled	None
Elapsed time	AC (The number of execution cycles (t_{ϕ}) is set as the measurement item.)
Number of execution states	VS
Branch instruction counts	BT
Number of execution instructions	I
Exception/interrupt counts	EA
Interrupt counts	INT
URAM area access counts	UN
URAM area instruction access counts	UIN
URAM area data access counts	UDN

Note: Selected names are displayed for CONDITION in the [Performance Analysis] window. Options are parameters for <mode> of the PERFORMANCE_SET command.

Each measurement condition is also counted when a condition in table 2.17 is generated.

Table 2.17 Performance Measurement Condition to be Counted

Measurement Condition	Notes
Branch count	The counter value is incremented by 2. This means that two cycles are valid for one branch.

Notes: 1. In the non-realtime trace mode of the AUD trace, normal counting cannot be performed because the generation state of the stall or the execution cycle is changed.
 2. When the CPU clock is halted in the mode, such as sleep, counting is also halted.
 3. When the measurement start or end condition is set, counting is halted if a power-on reset is input after and before the satisfaction of measurement start and end conditions.

2. Displaying the measured result

The measured result is displayed in the [Performance Analysis] window or the PERFORMANCE_ANALYSIS command with hexadecimal (32 bits).

Note: If a performance counter overflows as a result of measurement, “*****” will be displayed.

3. Initializing the measured result

To initialize the measured result, select [Initialize] from the popup menu in the [Performance Analysis] window or specify INIT with the PERFORMANCE_ANALYSIS command.

2.2.7 Note on Profiling

Do not set the types of breakpoint given below while profiling is enabled. If such a break occurs, the acquired profile data will be incorrect.

- Post-execution break at the address of a branch instruction
- Pre-execution or post-execution break at the PC address before the execution of the user program starts from a branch instruction
- Data-access break

SuperH™ Family E10A-USB Emulator
Additional Document for User's Manual
Supplementary Information on Using the SH7083, SH7084,
SH7085, and SH7086

Publication Date: Rev. 4.00, August 9, 2012

Published by: Renesas Electronics Corporation

**SALES OFFICES**

Renesas Electronics Corporation

<http://www.renesas.com>Refer to "<http://www.renesas.com/>" for the latest and detailed information.**Renesas Electronics America Inc.**2380 Scott Boulevard Santa Clara, CA 95050-2554, U.S.A.
Tel: +1-408-588-6000, Fax: +1-408-588-6130**Renesas Electronics Canada Limited**1101 Nicholson Road, Newmarket, Ontario L3Y 9C3, Canada
Tel: +1-905-898-5441, Fax: +1-905-898-3220**Renesas Electronics Europe Limited**Dukes Meadow, Millboard Road, Bourne End, Buckinghamshire, SL8 5FH, U.K
Tel: +44-1628-651-700, Fax: +44-1628-651-804**Renesas Electronics Europe GmbH**Arcadiastrasse 10, 40472 Düsseldorf, Germany
Tel: +49-211-65030, Fax: +49-211-6503-1327**Renesas Electronics (China) Co., Ltd.**7th Floor, Quantum Plaza, No.27 ZhichunLu Haidian District, Beijing 100083, P.R.China
Tel: +86-10-9235-1155, Fax: +86-10-9235-7679**Renesas Electronics (Shanghai) Co., Ltd.**Unit 204, 205, AZIA Center, No.1233 Lujiazui Ring Rd., Pudong District, Shanghai 200120, China
Tel: +86-21-5877-1818, Fax: +86-21-6887-7858 / -7898**Renesas Electronics Hong Kong Limited**Unit 1601-1613, 16/F., Tower 2, Grand Century Place, 193 Prince Edward Road West, Mongkok, Kowloon, Hong Kong
Tel: +852-2886-9318, Fax: +852 2886-9022/9044**Renesas Electronics Taiwan Co., Ltd.**13F, No. 363, Fu Shing North Road, Taipei, Taiwan
Tel: +886-2-8175-9600, Fax: +886 2-8175-9670**Renesas Electronics Singapore Pte. Ltd.**1 HarbourFront Avenue, #06-10, Keppel Bay Tower, Singapore 098632
Tel: +65-6213-0200, Fax: +65-6278-9001**Renesas Electronics Malaysia Sdn.Bhd.**Unit 906, Block B, Menara Amcorp, Amcorp Trade Centre, No. 18, Jln Persiaran Barat, 46050 Petaling Jaya, Selangor Darul Ehsan, Malaysia
Tel: +60-3-7955-9390, Fax: +60-3-7955-9510**Renesas Electronics Korea Co., Ltd.**11F., Samik Laviel' or Bldg., 720-2 Yeoksam-Dong, Kangnam-Ku, Seoul 135-080, Korea
Tel: +82-2-558-3737, Fax: +82-2-558-5141

SuperH™ Family E10A-USB Emulator
Additional Document for User's Manual
Supplementary Information on Using the SH7083, SH7084,
SH7085, and SH7086