

To our customers,

---

## Old Company Name in Catalogs and Other Documents

---

On April 1<sup>st</sup>, 2010, NEC Electronics Corporation merged with Renesas Technology Corporation, and Renesas Electronics Corporation took over all the business of both companies. Therefore, although the old company name remains in this document, it is a valid Renesas Electronics document. We appreciate your understanding.

Renesas Electronics website: <http://www.renesas.com>

April 1<sup>st</sup>, 2010  
Renesas Electronics Corporation

Issued by: Renesas Electronics Corporation (<http://www.renesas.com>)

Send any inquiries to <http://www.renesas.com/inquiry>.

## Notice

1. All information included in this document is current as of the date this document is issued. Such information, however, is subject to change without any prior notice. Before purchasing or using any Renesas Electronics products listed herein, please confirm the latest product information with a Renesas Electronics sales office. Also, please pay regular and careful attention to additional and different information to be disclosed by Renesas Electronics such as that disclosed through our website.
2. Renesas Electronics does not assume any liability for infringement of patents, copyrights, or other intellectual property rights of third parties by or arising from the use of Renesas Electronics products or technical information described in this document. No license, express, implied or otherwise, is granted hereby under any patents, copyrights or other intellectual property rights of Renesas Electronics or others.
3. You should not alter, modify, copy, or otherwise misappropriate any Renesas Electronics product, whether in whole or in part.
4. Descriptions of circuits, software and other related information in this document are provided only to illustrate the operation of semiconductor products and application examples. You are fully responsible for the incorporation of these circuits, software, and information in the design of your equipment. Renesas Electronics assumes no responsibility for any losses incurred by you or third parties arising from the use of these circuits, software, or information.
5. When exporting the products or technology described in this document, you should comply with the applicable export control laws and regulations and follow the procedures required by such laws and regulations. You should not use Renesas Electronics products or the technology described in this document for any purpose relating to military applications or use by the military, including but not limited to the development of weapons of mass destruction. Renesas Electronics products and technology may not be used for or incorporated into any products or systems whose manufacture, use, or sale is prohibited under any applicable domestic or foreign laws or regulations.
6. Renesas Electronics has used reasonable care in preparing the information included in this document, but Renesas Electronics does not warrant that such information is error free. Renesas Electronics assumes no liability whatsoever for any damages incurred by you resulting from errors in or omissions from the information included herein.
7. Renesas Electronics products are classified according to the following three quality grades: "Standard", "High Quality", and "Specific". The recommended applications for each Renesas Electronics product depends on the product's quality grade, as indicated below. You must check the quality grade of each Renesas Electronics product before using it in a particular application. You may not use any Renesas Electronics product for any application categorized as "Specific" without the prior written consent of Renesas Electronics. Further, you may not use any Renesas Electronics product for any application for which it is not intended without the prior written consent of Renesas Electronics. Renesas Electronics shall not be in any way liable for any damages or losses incurred by you or third parties arising from the use of any Renesas Electronics product for an application categorized as "Specific" or for which the product is not intended where you have failed to obtain the prior written consent of Renesas Electronics. The quality grade of each Renesas Electronics product is "Standard" unless otherwise expressly specified in a Renesas Electronics data sheets or data books, etc.

"Standard": Computers; office equipment; communications equipment; test and measurement equipment; audio and visual equipment; home electronic appliances; machine tools; personal electronic equipment; and industrial robots.

"High Quality": Transportation equipment (automobiles, trains, ships, etc.); traffic control systems; anti-disaster systems; anti-crime systems; safety equipment; and medical equipment not specifically designed for life support.

"Specific": Aircraft; aerospace equipment; submersible repeaters; nuclear reactor control systems; medical equipment or systems for life support (e.g. artificial life support devices or systems), surgical implantations, or healthcare intervention (e.g. excision, etc.), and any other applications or purposes that pose a direct threat to human life.

8. You should use the Renesas Electronics products described in this document within the range specified by Renesas Electronics, especially with respect to the maximum rating, operating supply voltage range, movement power voltage range, heat radiation characteristics, installation and other product characteristics. Renesas Electronics shall have no liability for malfunctions or damages arising out of the use of Renesas Electronics products beyond such specified ranges.
9. Although Renesas Electronics endeavors to improve the quality and reliability of its products, semiconductor products have specific characteristics such as the occurrence of failure at a certain rate and malfunctions under certain use conditions. Further, Renesas Electronics products are not subject to radiation resistance design. Please be sure to implement safety measures to guard them against the possibility of physical injury, and injury or damage caused by fire in the event of the failure of a Renesas Electronics product, such as safety design for hardware and software including but not limited to redundancy, fire control and malfunction prevention, appropriate treatment for aging degradation or any other appropriate measures. Because the evaluation of microcomputer software alone is very difficult, please evaluate the safety of the final products or system manufactured by you.
10. Please contact a Renesas Electronics sales office for details as to environmental matters such as the environmental compatibility of each Renesas Electronics product. Please use Renesas Electronics products in compliance with all applicable laws and regulations that regulate the inclusion or use of controlled substances, including without limitation, the EU RoHS Directive. Renesas Electronics assumes no liability for damages or losses occurring as a result of your noncompliance with applicable laws and regulations.
11. This document may not be reproduced or duplicated, in any form, in whole or in part, without prior written consent of Renesas Electronics.
12. Please contact a Renesas Electronics sales office if you have any questions regarding the information contained in this document or Renesas Electronics products, or if you have any other inquiries.

(Note 1) "Renesas Electronics" as used in this document means Renesas Electronics Corporation and also includes its majority-owned subsidiaries.

(Note 2) "Renesas Electronics product(s)" means any product developed or manufactured by or for Renesas Electronics.

# SH-4A, SH4AL-DSP E200F Emulator

Additional Document for User's Manual  
Supplementary Information on Using  
the SH7323

Renesas Microcomputer Development  
Environment System

SuperH™ Family / SH7323 Series

E200F for SH7323 R0E873230EMU00E



## Keep safety first in your circuit designs!

1. Renesas Technology Corp. puts the maximum effort into making semiconductor products better and more reliable, but there is always the possibility that trouble may occur with them. Trouble with semiconductors may lead to personal injury, fire or property damage.  
Remember to give due consideration to safety when making your circuit designs, with appropriate measures such as (i) placement of substitutive, auxiliary circuits, (ii) use of nonflammable material or (iii) prevention against any malfunction or mishap.

## Notes regarding these materials

1. These materials are intended as a reference to assist our customers in the selection of the Renesas Technology Corp. product best suited to the customer's application; they do not convey any license under any intellectual property rights, or any other rights, belonging to Renesas Technology Corp. or a third party.
2. Renesas Technology Corp. assumes no responsibility for any damage, or infringement of any third-party's rights, originating in the use of any product data, diagrams, charts, programs, algorithms, or circuit application examples contained in these materials.
3. All information contained in these materials, including product data, diagrams, charts, programs and algorithms represents information on products at the time of publication of these materials, and are subject to change by Renesas Technology Corp. without notice due to product improvements or other reasons. It is therefore recommended that customers contact Renesas Technology Corp. or an authorized Renesas Technology Corp. product distributor for the latest product information before purchasing a product listed herein.  
The information described here may contain technical inaccuracies or typographical errors. Renesas Technology Corp. assumes no responsibility for any damage, liability, or other loss rising from these inaccuracies or errors.  
Please also pay attention to information published by Renesas Technology Corp. by various means, including the Renesas Technology Corp. Semiconductor home page (<http://www.renesas.com>).
4. When using any or all of the information contained in these materials, including product data, diagrams, charts, programs, and algorithms, please be sure to evaluate all information as a total system before making a final decision on the applicability of the information and products. Renesas Technology Corp. assumes no responsibility for any damage, liability or other loss resulting from the information contained herein.
5. Renesas Technology Corp. semiconductors are not designed or manufactured for use in a device or system that is used under circumstances in which human life is potentially at stake. Please contact Renesas Technology Corp. or an authorized Renesas Technology Corp. product distributor when considering the use of a product contained herein for any specific purposes, such as apparatus or systems for transportation, vehicular, medical, aerospace, nuclear, or undersea repeater use.
6. The prior written approval of Renesas Technology Corp. is necessary to reprint or reproduce in whole or in part these materials.
7. If these products or technologies are subject to the Japanese export control restrictions, they must be exported under a license from the Japanese government and cannot be imported into a country other than the approved destination.  
Any diversion or reexport contrary to the export control laws and regulations of Japan and/or the country of destination is prohibited.
8. Please contact Renesas Technology Corp. for further details on these materials or the products contained therein.



# Contents

Section 1	Connecting the Emulator with the User System .....	1
1.1	Components of the Emulator .....	1
1.2	Connecting the Emulator with the User System .....	3
1.3	Installing the H-UDI Port Connector on the User System .....	4
1.4	Pin Assignments of the H-UDI Port Connector .....	4
1.5	Recommended Circuit between the H-UDI Port Connector and the MPU .....	6
1.5.1	Recommended Circuit (36-Pin Type) .....	6
Section 2	Software Specifications when Using the SH7323 .....	9
2.1	Differences between the SH7323 and the Emulator .....	9
2.2	Specific Functions for the Emulator when Using the SH7323 .....	14
2.2.1	Notes on Using the Trace Functions .....	14
2.2.2	Notes on Using the JTAG (H-UDI) Clock (TCK) and AUD Clock (AUDCK) ..	16
2.2.3	Notes on Setting the [Breakpoint] Dialog Box .....	16
2.2.4	Notes on Setting the [Event Condition] Dialog Box and the BREAKCONDITION_SET Command .....	17
2.2.5	Note on Setting the UBC_MODE Command .....	18
2.2.6	Note on Setting the PPC_MODE Command .....	18
Section 3	I/O Analyzer Function .....	19
3.1	Overview of the MFI Trace Functions .....	20
3.2	Using the MFI Trace Functions .....	22
3.3	Connecting the Emulator with the User System .....	27
3.4	Installing the MFI Trace Connector .....	27
3.4.1	MFI Trace Connector Installed on the User System .....	27
3.4.2	Pin Assignments of the MFI Trace Connector .....	27
3.4.3	Layout of the MFI Trace Connector .....	30
3.4.4	Recommended Circuit between the MFI Trace Connector and the MPU .....	32
3.5	Restrictions on the MFI Trace and MFI Extended Monitor for I/O Analyzer Function ...	34
Section 4	Preparing to Connect the Trace Unit .....	35
4.1	Connecting the E200F Trace Unit with the User System .....	35
4.2	Installing the Trace Unit Connector .....	35
4.2.1	Trace Unit Connector Installed on the User System .....	35
4.2.2	Pin Assignments of the User System Connector .....	36
4.2.3	Recommended Foot Pattern .....	36

4.2.4	Restrictions on Component Installation .....	37
4.2.5	Pin Assignments of the Trace Unit Connector.....	37
4.2.6	Layout of the Trace Unit Connector .....	50
4.2.7	Restrictions on Using the Trace Unit.....	51
4.2.8	Description of Emulation Memory Control Signal.....	52





# Section 1 Connecting the Emulator with the User System



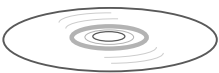
## 1.1 Components of the Emulator

The E200F emulator supports the SH7323. Table 1.1 lists the components of the emulator.

**Table 1.1 Components of the Emulator**

Classification	Component	Appearance	Quantity	Remarks
Hardware	Emulator main unit		1	R0E0200F0EMU00: Depth: 185.0 mm, Width: 130.0 mm, Height: 45.0 mm, Mass: 321.0 g
	AC adapter (serial numbers: 0081 or before)		1	Input: 100 to 240 V Output: 12 V 4.0 A Depth: 120.0 mm, Width: 72.0 mm, Height: 27.0 mm, Mass: 400.0 g 
	AC adapter (serial numbers: 0082 or after)		1	Input: 100 to 240 V Output: 12 V 3.0 A Depth: 99.0 mm, Width: 62.0 mm, Height: 26.0 mm, Mass: 270.0 g 
	AC cable		1	Length: 200 mm
	USB cable		1	Length: 1500 mm, Mass: 50.6 g

**Table 1.1 Components of the Emulator (cont)**

Classification	Component	Appearance	Quantity	Remarks
Hardware (cont)	External probe (serial numbers: 0081 or before)		1	Length: 500 mm, Pins 1 to 4: probe input pins, T: trigger output pin, G: GND pin
	External probe (serial numbers: 0082 or after)		1	Length: 500 mm, Pins 1 to 4: probe input pins, T: trigger output pin, G: GND pin
Software	E200F emulator setup program,		1	R0E0200F0EMU00S,
	SH-4A, SH4AL-DSP E200F Emulator User's Manual,			R0E0200F0EMU00J, R0E0200F0EMU00E,
	Supplementary Information on Using the SH7323*			R0E873230EMU00J, R0E873230EMU00E  (provided on a CD-R)

Note: Additional document for the MPUs supported by the emulator is included. Check the target MPU and refer to its additional document.

## 1.2 Connecting the Emulator with the User System

To connect the E200F emulator (hereinafter referred to as the emulator), the H-UDI port connector must be installed on the user system to connect the user system interface cable. When designing the user system, refer to the recommended circuit between the H-UDI port connector and the MPU.

It is impossible to connect the emulator to the 14-pin type connector that is recommended for the E10A-USB emulator. The 36-pin type connector is the same as that of the E10A-USB emulator. When designing the user system, read the E200F emulator user's manual and hardware manual for the related device.

The H-UDI port connector has the 36-pin and 14-pin types as described below. Use them according to the purpose of the usage.

1. 36-pin type (with AUD function)

The AUD trace function is supported. A large amount of trace information can be acquired in realtime. The window trace function is also supported for acquiring memory access in the specified range (memory access address or memory access data) by tracing.

2. 14-pin type (without AUD function)

The AUD trace function cannot be used because only the H-UDI function is supported. This connector type is not available for the E200F emulator; the E10A-USB emulator is available.

### 1.3 Installing the H-UDI Port Connector on the User System

Table 1.2 shows the recommended H-UDI port connectors for the emulator.

**Table 1.2 Recommended H-UDI Port Connectors**

Connector	Type Number	Manufacturer	Specifications
36-pin connector	DX10M-36S	Hirose Electric Co., Ltd.	Screw type
	DX10M-36SE, DX10G1M-36SE		Lock-pin type

Note: When designing the 36-pin connector layout on the user board, do not place any other signals under the H-UDI connector to reduce cross-talk noises, etc.

### 1.4 Pin Assignments of the H-UDI Port Connector

Figure 1.1 shows the pin assignments of the 36-pin H-UDI port connector.

Note: Note that the pin number assignments of the H-UDI port connector shown on the following page differs from those of the connector manufacturer.

Pin No.	Signal	Input/ Output*1	SH7323 Pin No.	Note	Pin No.	Signal	Input/ Output*1	SH7323 Pin No.	Note
1	AUDCK	Output	W15		19	TMS	Input	V17	
2	GND	—			20	GND	—		
3	AUDATA0	Output	V15		21	/TRST *2	Input	U17	
4	GND	—			22	(GND)*4	—		
5	AUDATA1	Output	U15		23	TDI	Input	W17	
6	GND	—			24	GND	—		
7	AUDATA2	Output	Y14		25	TDO	Output	W16	
8	GND	—			26	GND	—		
9	AUDATA3	Output	W14		27	/ASEBRK *2 /BRKACK	Input/ output	U16	
10	GND	—			28	GND	—		
11	/AUDSYNC*2	Output	V14		29	UVCC	Output		
12	GND	—			30	GND	—		
13	NC	—			31	/RESETP *2	Output	U12	User reset
14	GND	—			32	GND	—		
15	NC	—			33	GND *3	Output		
16	GND	—			34	GND	—		
17	TCK	Input	W18		35	NC	—		
18	GND	—			36	GND	—		

- Notes: 1. Input to or output from the user system.  
2. The slash (/) means that the signal is active-low.  
3. The emulator monitors the GND signal of the user system and detects whether or not the user system is connected.  
4. When the user system interface cable is connected to this pin and the MPMD pin is set to 0, do not connect to GND but to the MPMD pin directly.

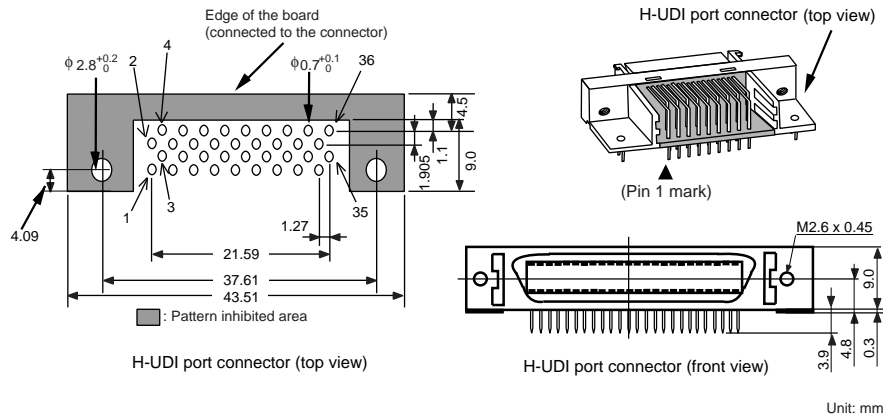


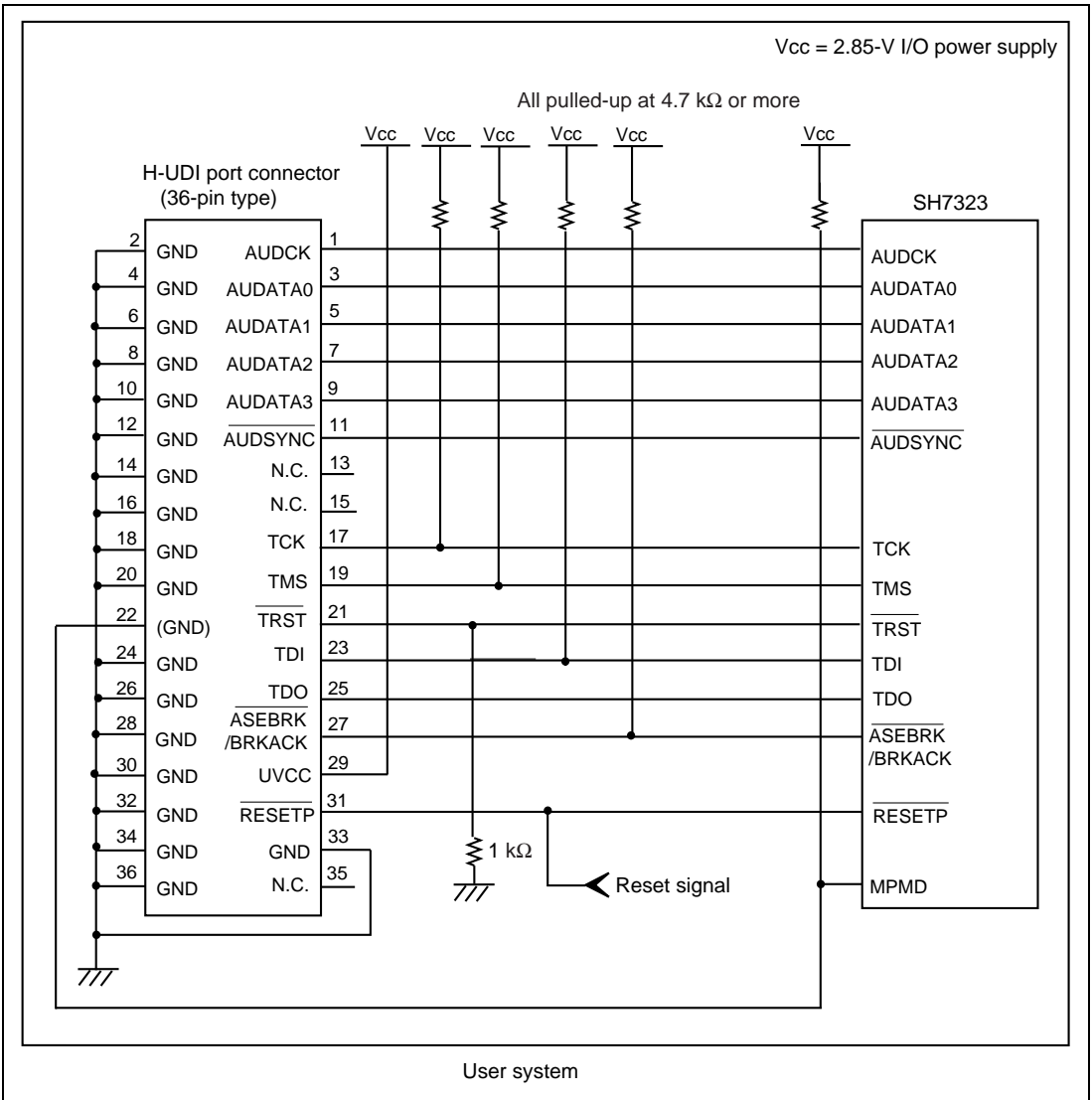
Figure 1.1 Pin Assignments of the H-UDI Port Connector (36 Pins)

## 1.5 Recommended Circuit between the H-UDI Port Connector and the MPU

### 1.5.1 Recommended Circuit (36-Pin Type)

Figure 1.2 shows a recommended circuit for connection between the H-UDI and AUD port connectors (36 pins) and the MPU when the emulator is in use.

- Notes:
1. Do not connect anything to the N.C. pins of the H-UDI port connector.
  2. The MPMD pin must be 0 when the emulator is connected and 1 when the emulator is not connected, respectively.
    - (1) When the emulator is used:  $MPMD = 0$
    - (2) When the emulator is not used:  $MPMD = 1$Figure 1.2 shows an examples of circuits that allow the MPMD pin to be GND (0) whenever the emulator is connected by using the user system interface cable.
  3. When a network resistance is used for pull-up, it may be affected by a noise. Separate TCK from other resistances.
  4. The /TRST pin must be at the low level for a certain period when the power is supplied whether the H-UDI is used or not. Reduce the power supplied to the /TRST pin by pulling the pin down by a resistance of 1 kilo-ohm and setting PUL10 = 0 in the PULCR register after a reset.
  5. The pattern between the H-UDI port connector and the MPU must be as short as possible. Do not connect the signal lines to other components on the board.
  6. Since the H-UDI and the AUD of the MPU operate with the Vcc, supply only the Vcc to the UVCC pin.
  7. The resistance values shown in figure 1.2 are reference.
  8. For the pin processing in cases where the emulator is not used, refer to the hardware manual of the related MPU.
  9. For the AUDCK pin, guard the pattern between the H-UDI port connector and the MPU at GND level.



**Figure 1.2 Recommended Circuit for Connection between the H-UDI Port Connector and MPU when the Emulator is in Use (36-Pin Type)**





# Section 2 Software Specifications when Using the SH7323

## 2.1 Differences between the SH7323 and the Emulator

1. When the emulator system is initiated, it initializes the general registers and part of the control registers as shown in table 2.1. The initial values of the actual SH7323 registers are undefined. When the emulator is initiated from the workspace, a value to be entered is saved in a session.

**Table 2.1 Register Initial Values at Emulator Link Up**

<b>Register</b>	<b>Emulator at Link Up</b>
R0 to R14	H'00000000
R15 (SP)	H'A0000000
R0_BANK to R7_BANK	H'00000000
PC	H'A0000000
SR	H'700000F0
GBR	H'00000000
VBR	H'00000000
MACH	H'00000000
MACL	H'00000000
PR	H'00000000
SPC	H'00000000
SSR	H'000000F0
RS	H'00000000
RE	H'00000000
MOD	H'00000000
A0G, A1G	H'00000000
A0, A1	H'00000000
X0, X1	H'00000000
Y0, Y1	H'00000000
M0, M1	H'00000000
DSR	H'00000000

2. The emulator uses the H-UDI; do not access the H-UDI.

### 3. Low-Power States (Sleep, Software Standby, Module Standby, and U Standby)

For low-power consumption, the SH7323 has sleep, software standby, module standby, and U standby states.

The sleep, software standby, and module standby states are switched using the SLEEP instruction. When the emulator is used, the sleep state can be cleared with either the normal clearing function or with the [STOP] button, and a break will occur.

Note: The memory must not be accessed or modified in sleep state.

### 4. Reset Signals

The SH7323 reset signals are only valid during emulation started with clicking the GO or STEP-type button. If these signals are enabled on the user system in command input wait state, they are not sent to the SH7323.

Note: Do not break the user program when the /RESETP, /BREQ, or /WAIT signal is being low. A TIMEOUT error will occur. If the /BREQ or /WAIT signal is fixed to low during break, a TIMEOUT error will occur at memory access.

### 5. Direct Memory Access Controller (DMAC)

The DMAC operates even when the emulator is used. When a data transfer request is generated, the DMAC executes DMA transfer.

### 6. Memory Access during User Program Execution

When a memory is accessed from the memory window, etc. during user program execution, the user program is resumed after it has stopped in the emulator to access the memory. Therefore, realtime emulation cannot be performed.

The stopping time of the user program is as follows:

Environment:

Host computer: 800 MHz (Pentium® III)

JTAG clock: 30 MHz (TCK clock)

When a one-byte memory is read from the command-line window, the stopping time will be about 45 ms.

### 7. Memory Access during User Program Break

The emulator can download the program for the flash memory area (for details, refer to section 6.22, Download Function to the Flash Memory Area, in the SH-4A, SH4AL-DSP E200F Emulator User's Manual). Other memory write operations are enabled for the RAM area. Therefore, an operation such as memory write or BREAKPOINT should be set only for the RAM area.

## 8. Cache Operation during User Program Break

When cache is enabled, the emulator accesses the memory by the following methods:

- At memory write: Writes through the cache, then issues a single write to outside. The LRU is not updated.
- At memory read: Reads memory from the cache. The LRU is not updated.

Therefore, when memory read or write is performed during user program break, the cache state does not change.

- At breakpoint set: Disables the instruction cache.

## 9. Port G

The AUD pin is multiplexed as shown in table 2.2.

**Table 2.2 Multiplexed Functions**

Port	Function 1	Function 2
G	PTG4 input/output (port)*	/AUDSYNC (AUD)
G	PTG3 input/output (port)*	AUDATA3 (AUD)
G	PTG2 input/output (port)*	AUDATA2 (AUD)
G	PTG1 input/output (port)*	AUDATA1 (AUD)
G	PTG0 input/output (port)*	AUDATA0 (AUD)

Note: Function 1 can be used when the AUD pins of the device are not connected to the emulator. When the AUD trace function is enabled, the emulator changes settings so that function 2 is forcibly used.

## 10. UBC

When [User] is specified in the [UBC mode] list box in the [Configuration] dialog box, the UBC can be used in the user program.

Do not use the UBC in the user program as it is used by the emulator when [EML] is specified in the [UBC mode] list box in the [Configuration] dialog box.

## 11. MFI

When the MFI boot mode is used, be sure to activate the emulator by setting the MFIINT signal as a trigger for the MFI transfer from the base-band side.

In the active-through mode, the emulator does not operate during break.

## 12. Using RWDT

At power-on reset, the operation of RWDT is enabled. When RWDT is not used, be sure to disable the operation of RWDT at the top of the user-reset program.

The RWTCRSR.TME bit is masked as 0 during break. Therefore, 0 is always displayed in the [IO] and [Memory] windows.

### 13. Memory Access during Break

In the enabled MMU, when a memory is accessed and a TLB error occurs during break, it can be selected whether the TLB exception is controlled or the program jumps to the user exception handler in [TLB Mode] in the [Configuration] dialog box. When [TLB miss exception is enable] is selected, a “Communication Timeout error” will occur if the TLB exception handler does not operate correctly. When [TLB miss exception is disable] is selected, the program does not jump to the TLB exception handler even if a TLB exception occurs. Therefore, if the TLB exception handler does not operate correctly, a “Communication Timeout error” will not occur but the memory contents may not be correctly displayed.

### 14. Loading Sessions

Information in [JTAG clock] of the [Configuration] dialog box cannot be recovered by loading sessions. Thus the TCK value will be 1.25 MHz.

### 15. [IO] window

- Display and modification

Do not change values of the User Break Controller because it is used by the emulator.

For each RWDT register, there are two registers to be separately used for write and read operations.

**Table 2.3 RWDT Register**

Register Name	Usage	Register
RWTCSR(W)	Write	RWDT control/status register
RWTCNT(W)	Write	RWDT counter
RWTCSR(R)	Read	RWDT control/status register
RWTCNT(R)	Read	RWDT counter

The RWDT operates only when the user program is executed. Do not change the value of the frequency change register in the [IO] window or [Memory] window.

The internal I/O registers can be accessed from the [IO] window. However, note the following when accessing the SDMR register of the bus-state controller. Before accessing the SDMR register, specify addresses to be accessed in the I/O-register definition file (SH7323.IO) and then activate the High-performance Embedded Workshop. After the I/O-register definition file is created, the MPU's specifications may be changed. If each I/O register in the I/O-register definition file differs from addresses described in the hardware manual, change the I/O-register definition file according to the description in the hardware manual. The I/O-register definition file can be customized depending on its format. Note that, however, the E200F emulator does not support the bit-field function.

- Verify

In the [IO] window, the verify function of the input value is disabled.

#### 16. Illegal Instructions

If illegal instructions are executed by STEP-type commands, the emulator cannot go to the next program counter.

#### 17. [Reset CPU] and [Reset Go] in the [Debug] Menu

When a reset is issued from [Reset CPU] or [Reset Go] in the [Debug] menu, the clock pulse generator or system controller is not initialized.

## 2.2 Specific Functions for the Emulator when Using the SH7323

In the SH7323, a reset must be input when the emulator is activated.

### 2.2.1 Notes on Using the Trace Functions

The emulator supports the trace functions listed in table 2.4.

**Table 2.4 Trace Functions**

Function	Internal Trace	AUD Trace	Memory Output Trace
Branch trace	Supported (eight branches)	Supported	Supported
Range memory access trace	Supported (eight events)	Supported	Supported
Software trace	Supported (eight events)	Supported	Supported

**Internal Trace Function:** This function is activated by selecting the [Internal trace] radio button in the [Trace type] group box of the [Trace mode] page. Set the trace condition to be used.

Notes: 1. If an interrupt is generated at the program execution start or end, including a step operation, the emulator address may be acquired. In such a case, the following message will be displayed. Ignore this address because it is not a user program address.

\*\*\* EML \*\*\*

2. If a completion-type exception occurs during exception branch acquisition, the next address to the address in which an exception occurs is acquired.
3. Trace information cannot be acquired for the following branch instructions:
  - The BF and BT instructions whose displacement value is 0
  - Branch to H'A0000000 by reset

**AUD Trace Function:** This function is operational when the AUD pin of the device is connected to the emulator. It is activated by selecting the [AUD trace] radio button in the [Trace type] group box of the [Trace mode] page.

- Notes: 1. When the trace display is performed during user program execution, the mnemonics, operands, or source is not displayed.
2. The AUD branch trace function outputs the differences between newly output branch source addresses and previously output branch source addresses. The window trace function outputs the differences between newly output addresses and previously output addresses. If the previously output address is the same as the upper 16 bits, the lower

16 bits are output. If it matches the upper 24 bits, the lower 8 bits are output. If it matches the upper 28 bits, the lower 4 bits are output.

The emulator regenerates the 32-bit address from these differences and displays it in the [Trace] window. If the emulator cannot display the 32-bit address, it displays the difference from the previously displayed 32-bit address.

3. If the 32-bit address cannot be displayed, the source line is not displayed.
4. In the emulator, when multiple loops are performed to reduce the number of AUD trace displays, only the IP counts up.
5. In the emulator, the maximum number of trace displays is 524288 lines. However, the maximum number of trace displays differs according to the AUD trace information to be output. Therefore, the above pointers cannot be always acquired.
6. The AUD trace acquisition is not available when [User] is selected in the [UBC mode] list box of the [Configuration] dialog box. In this case, close the [Trace] window.
7. Do not use the AUD full-trace mode for the VIO function.
8. If a completion-type exception occurs during exception branch acquisition, the next address to the address in which an exception occurs is acquired.

**Memory Output Trace Functions:** This function is activated by selecting the [Use Memory trace] radio button in the [Trace type] group box of the [Trace mode] page.

In this function, write the trace data in the specified user memory range.

Specify the start address to output a trace for the [Start] edit box in the [User memory area] group box, and the end address for the [End Address] edit box.

Notes: 1. Use only the following addresses in the memory range for which trace is output:

<External memory area>

CS0, CS2, and CS4

<Internal memory area>

XRAM: H'05007000 to H'05008FFF

YRAM: H'05017000 to H'05018FFF

Note that this address is on the system bus and not supported for the MMU or cache.

2. In the memory range for output, do not specify the ranges that the user program has been downloaded or the user program accesses.
3. The range for trace output must be 1 MB or less.

## 2.2.2 Notes on Using the JTAG (H-UDI) Clock (TCK) and AUD Clock (AUDCK)

1. Set the JTAG clock (TCK) frequency to lower than the frequency of the SH7323 peripheral module clock (CKP).
2. Set the AUD clock (AUDCK) frequency to 96 MHz or lower. If the frequency is higher than 96 MHz, the emulator will not operate normally.
3. The set value of the JTAG clock (TCK) is initialized by executing [Reset CPU] or [Reset Go].

## 2.2.3 Notes on Setting the [Breakpoint] Dialog Box

1. When an odd address is set, the next lowest even address is used.
2. A BREAKPOINT is accomplished by replacing instructions of the specified address. Accordingly, it can be set only to the internal RAM area. However, a BREAKPOINT cannot be set to the following addresses:
  - ROM areas in CS0 to CS6
  - Areas other than CS0 to CS6
  - Areas other than the internal RAM
  - A slot instruction of a delayed branch instruction
  - An area that can be only read by MMU
3. During step operation, BREAKPOINTS are disabled.
4. When execution resumes from the address where a BREAKPOINT is specified, single-step operation is performed at the address and execution is continued from the next PC value. Therefore, realtime operation cannot be performed.
5. When a BREAKPOINT is set to the slot instruction of a delayed branch instruction, the PC value becomes an illegal value. Accordingly, do not set a BREAKPOINT to the slot instruction of a delayed branch instruction.
6. Note on DSP repeat loop:  
A BREAKPOINT is equal to a branch instruction. In some DSP repeat loops, branch instructions cannot be set. For these cases, do not set BREAKPOINTS. Refer to the hardware manual for details.
7. When the [Normal] option is selected in the [Memory area] group box in the [General] page of the [Configuration] dialog box, a BREAKPOINT is set to a physical address or a virtual address according to the SH7323 MMU status during command input when the VPMAP\_SET command setting is disabled. The ASID value of the SH7323 PTEH register during command input is used. When VPMAP\_SET command setting is enabled, a BREAKPOINT is set to a physical address into which address translation is made according to the VP\_MAP table. However, for addresses out of the range of the VP\_MAP table, the address to which a BREAKPOINT is set depends on the SH7323 MMU status during command input. Even



when the VP\_MAP table is modified after BREAKPOINT setting, the address translated when the BREAKPOINT is set valid.

8. When the [Physical] option is selected in the [Memory area] group box in the [General] page of the [Configuration] dialog box, a BREAKPOINT is set to a physical address. A BREAKPOINT is set after disabling the SH7323 MMU upon program execution. After setting, the MMU is returned to the original state. When a break occurs at the corresponding virtual address, the cause of termination displayed in the status bar and the [Output] window is ILLEGAL INSTRUCTION, not BREAKPOINT.
9. When the [Virtual] option is selected in the [Memory area] group box in the [General] page of the [Configuration] dialog box, a BREAKPOINT is set to a virtual address. A BREAKPOINT is set after enabling the SH7323 MMU upon program execution. After setting, the MMU is returned to the original state. When an ASID value is specified, the BREAKPOINT is set to the virtual address corresponding to the ASID value. The emulator sets the BREAKPOINT after rewriting the ASID value to the specified value, and returns the ASID value to its original value after setting. When no ASID value is specified, the BREAKPOINT is set to a virtual address corresponding to the ASID value at command input.
10. An address (physical address) to which a BREAKPOINT is set is determined when the BREAKPOINT is set. Accordingly, even if the VP\_MAP table is modified after BREAKPOINT setting, the BREAKPOINT address remains unchanged. When a BREAKPOINT is satisfied with the modified address in the VP\_MAP table, the cause of termination displayed in the status bar and the [Output] window is ILLEGAL INSTRUCTION, not BREAKPOINT.
11. If an address of a BREAKPOINT cannot be correctly set in the ROM or flash memory area, a mark ● will be displayed in the [BP] area of the address on the [Source] or [Disassembly] window by refreshing the [Memory] window, etc. after Go execution. However, no break will occur at this address. When the program halts with the event condition, the mark ● disappears.

#### **2.2.4 Notes on Setting the [Event Condition] Dialog Box and the BREAKCONDITION\_SET Command**

1. When [Go to cursor], [Step In], [Step Over], or [Step Out] is selected, the settings of Event Condition 3 are disabled.
2. When an Event Condition is satisfied, emulation may stop after two or more instructions have been executed.
3. If a PC break address condition is set to the slot instruction after a delayed branch instruction, user program execution cannot be terminated before the slot instruction execution; execution stops before the branch destination instruction.

### **2.2.5 Note on Setting the UBC\_MODE Command**

In the [Configuration] dialog box, if [User] is set while the [UBC mode] list box has been set, Ch10 (IA\_OA\_R) and Ch11 (OA\_OA\_CT\_R) of Event Condition cannot be used.

### **2.2.6 Note on Setting the PPC\_MODE Command**

In the [Configuration] dialog box, if [User] is set while the [PPC mode] list box has been set, Ch1 and Ch2 of the performance analysis function and options 1 and 2 of the profile function cannot be used.

## Section 3 I/O Analyzer Function

The emulator supports the function that is used to trace or analyze the state of the specific I/O. For SH7323, the emulation function specific to Multi Function Interface (MFI) is supported.

## 3.1 Overview of the MFI Trace Functions

(1) Displaying the states of pins and settings of MFI

The latest state is always displayed during a break or running. The following pins and states are displayed.

**Table 3.1 MFI Pin States**

No.	Pin and State	Display Contents
1	MFI Mode	Displays mode that the MPU has been started up. General: Normal boot mode. During MFI boot: Downloading to MFRAM is not completed. Branch to MFRAM: Preparation of boot from MFRAM is completed. Extend through: Extended through mode and normal boot mode.
2	MFI Bit Mode	Displays the current MFI bus width.
3	MFI MFRAM Endian	Displays the endian when accessing the MFRAM from the on-chip CPU.
4	MFI Bus Order	Displays the byte order in MFIDATA31 to MFIDATA0 data; the byte order corresponds to the MFIADR1 and MFIADR0 bits.
5	MFI INTERRUPT	Displays that an interrupt by the MFIINT pin has occurred.
6	MFI Register (MFIGSR)	Displays the value of the MFIGSR register that has been read from or written to via MFI.
7	MFI Register Access (MFIxxxx)	Displays whether or not the MFIxxxx register has been accessed via MFI.  The following register names are displayed: MFIDEVCR, MFISW4, MFIBCR, MFIDATA, MFIADR, MFIEICR, MFIICR, MFIMCR, MFISCR, and MFIGSR
8	Signal xxxxxxx (MFI Connector)	Displays the state of the xxxxxx pin that is connected to the MFI connector.  The following pin names are displayed: STATUS0, PDSTATUS, and RESETP
9	Signal xxxxxxx	Displays the state of the xxxxxx pin for MFI that is connected to the MFI connector.  The following pin names are displayed: THEXT, MFIMD, MFIE//WR, MFIRW//RD, /THCS, /MFICS, /MFIINT, THMSK, THMDCH, THA3, MFIRS/THA2, and THA1

## (2) Tracing the data transfer via MFI

The following pins and states are acquired by a trace.

**Table 3.2 Contents Traced via MFI**

No.	Pin and State	Header of the [Trace] Window	Description
1	Transfer data	Data	Displays the value of transfer data.
2	Read or write	R/W	Displays the type of read or write.
3	Access	Instruction	Displays the access type. Index register access: Access to the MFIIIDX register. MFI register access: Access to the internal register of MFI. Through register access: Access to the through register. SH bus register access: Access to the MPU directly connected to the SH bus.
4	Pin states	MFICS-THCS-THA3-THA2-THA1-THMDCH-MFIINT	Displays the states of MFICS, THCS, THA3, THA2, THA1, THMDCH, and MFIINT.
5	Time stamp	Timestamp	Displays the time stamp.
		Timestamp-Difference	Displays the difference between the previous trace data.

Note: If [NOP] or [Invalid access] is displayed on the [Instruction] column, connection failure may occur.

## 3.2 Using the MFI Trace Functions

(1) Using the function to display the states of pins and settings of MFI

The states are displayed in the [Extended Monitor] window that is opened by selecting [Extended Monitor] from [CPU] of the [View] menu.

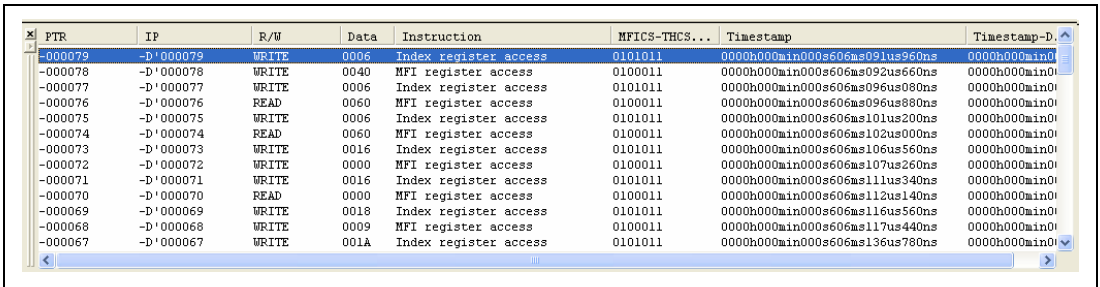
Item	Value
MFI Mode	Extend Through
MFI Bit Mode	16 Bit Mode
MFI MFIRAM Endian	Big
MFI Bus Order	MSB Fast
MFI Interrupt	No
MFI Register (MFIGSR)	0x00
MFI Register Access (MFIDEVCR)	No
MFI Register Access (MFISW4)	No
MFI Register Access (MFIBCR)	No
MFI Register Access (MFIDATA)	No
MFI Register Access (MFIADR)	No
MFI Register Access (MFIEICR)	No
MFI Register Access (MFIICR)	No
MFI Register Access (MFIMCR)	No
MFI Register Access (MFISCR)	No
MFI Register Access (MFIGSR)	No
Signal STATUS0 (MFI Connector)	Low
Signal PDSTATUS (MFI Connector)	Low
Signal RESETP (MFI Connector)	High
Signal THEXT	High
Signal MFIND	Low
Signal MFIE, /WR	High
Signal MFIRW, /RD	High
Signal /THCS	High
Signal /MFICS	High
Signal /MFIINT	High
Signal THMSK	High
Signal THMDCH	Low
Signal THA3	High
Signal MFIRS, THA2	High
Signal THA1	High

**Figure 3.1 [Extended Monitor] Window**

When [Properties...] is selected from the popup menu that is opened by right-clicking on the [Extended Monitor] window, the [Extended Monitor Configuration] dialog box is displayed. In this dialog box, items to be displayed can be selected.

(2) Using the function to trace the data transfer via MFI

The [Trace Window Type] dialog box is displayed by selecting [Trace] from [Code] of the [View] menu. Select [BUS/MFI Trace] to open the [BUS/MFI Trace] window.



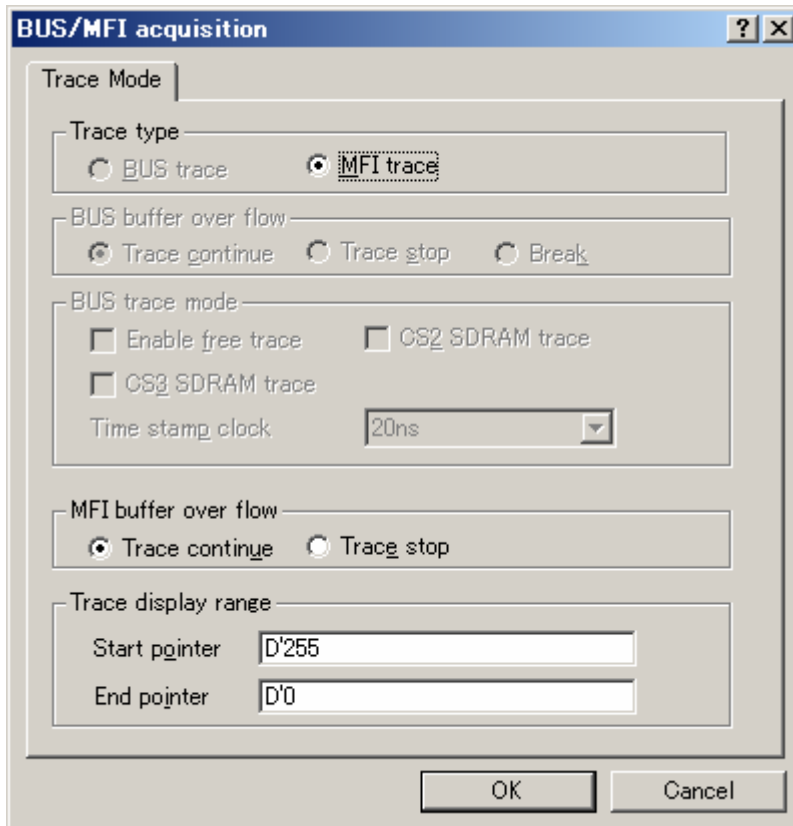
PTR	IP	R/W	Data	Instruction	MFICS-THCS...	Timestamp	Timestamp-D...
-000079	-D'000079	WRITE	0006	Index register access	0101011	0000h000min000s606ms091us960ns	0000h000min0...
-000078	-D'000078	WRITE	0040	MFI register access	0100011	0000h000min000s606ms092us660ns	0000h000min0...
-000077	-D'000077	WRITE	0006	Index register access	0101011	0000h000min000s606ms096us080ns	0000h000min0...
-000076	-D'000076	READ	0060	MFI register access	0100011	0000h000min000s606ms096us880ns	0000h000min0...
-000075	-D'000075	WRITE	0006	Index register access	0101011	0000h000min000s606ms101us200ns	0000h000min0...
-000074	-D'000074	READ	0060	MFI register access	0100011	0000h000min000s606ms102us000ns	0000h000min0...
-000073	-D'000073	WRITE	0016	Index register access	0101011	0000h000min000s606ms106us560ns	0000h000min0...
-000072	-D'000072	WRITE	0000	MFI register access	0100011	0000h000min000s606ms107us260ns	0000h000min0...
-000071	-D'000071	WRITE	0016	Index register access	0101011	0000h000min000s606ms111us340ns	0000h000min0...
-000070	-D'000070	READ	0000	MFI register access	0100011	0000h000min000s606ms112us140ns	0000h000min0...
-000069	-D'000069	WRITE	0018	Index register access	0101011	0000h000min000s606ms116us560ns	0000h000min0...
-000068	-D'000068	WRITE	0009	MFI register access	0100011	0000h000min000s606ms117us440ns	0000h000min0...
-000067	-D'000067	WRITE	001A	Index register access	0101011	0000h000min000s606ms1136us780ns	0000h000min0...

**Figure 3.2 [BUS/MFI Trace] Window**

The MFI trace cannot be used with the bus trace. It is required that [MFI trace] has been selected in the [BUS/MFI acquisition] dialog box.

The following describes how to change and check the trace settings.

Select [Set] from the popup menu that is displayed by right-clicking the [Trace] window. The [BUS/MFI acquisition] dialog box is displayed.



**Figure 3.3 [BUS/MFI acquisition] Dialog Box**

(a) To view the MFI setting information when the MFI or MPU is booted:

Accessing via MFI will have been completed when the emulator has been activated. The emulator polls the MFIINT pin that shows the completion of reset within the MPU, and acquires the MFI access by a trace without any conditions when the state of the MFIINT pin becomes high.

After the emulator is activated, select [MFI trace] on the [BUS/MFI acquisition] dialog box and display the [BUS/MFI Trace] window. It is possible to select [Halt] from the popup menu of the [BUS/MFI Trace] window. When [Halt] is selected, the acquired trace information is displayed on the [BUS/MFI Trace] window.



(b) To view the MFI access during a break:

Select [MFI trace] on the [BUS/MFI acquisition] dialog box and display the [BUS/MFI Trace] window. It is possible to select [Halt] or [Restart] from the popup menu of the [BUS/MFI Trace] window. When [Halt] is available, trace information has been acquired. When [Halt] is selected here, the acquired trace information is displayed.

When [Restart] is available, trace acquisition has not been started. When [Restart] is selected here, acquiring the trace information is started.

(c) To view the MFI access during execution of the user program:

The start of execution of the user program and acquisition of the trace information does not occur at the same time. To start acquiring the trace information, select [Restart].

It is possible to select [Halt] from the popup menu of the [BUS/MFI Trace] window. When [Halt] is selected, the acquired trace information is displayed and [Restart] becomes available.

When [Restart] is selected, acquiring the trace information is started at that time.

(d) Filter or find function for the data acquired by a trace:

When [Filter] or [Find] is selected from the popup menu of the [BUS/MFI Trace] window, the dialog box for that purpose is displayed. The data displayed on the [BUS/MFI Trace] window can be filtered or found with a data value.

(e) To specify the data to be acquired by a trace:

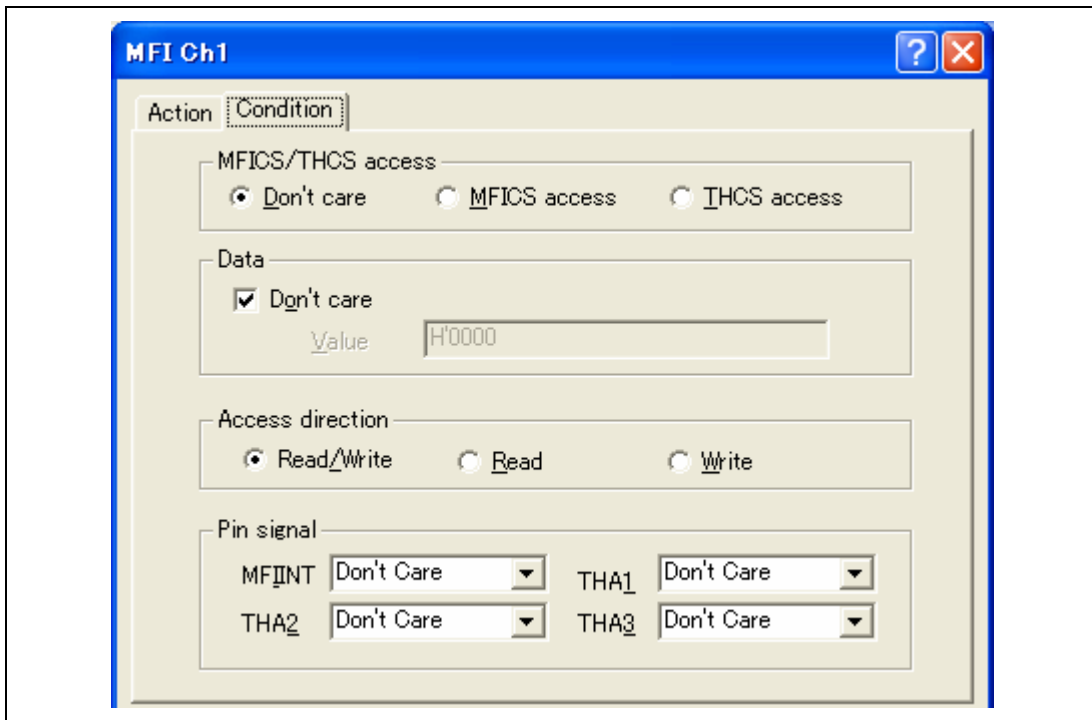
It is possible to set acquiring the required MFI trace data on the [Other event] sheet of the [Event] window.

- MFI Ch1 and Ch2

The MFI trace can be started or halted by using the condition that has been set for these channels.

It is also possible that only the condition is acquired by a trace or output as a trigger when the condition is satisfied.

Figure 3.4 shows the dialog box to set the condition.



**Figure 3.4 [MFI Ch1] Dialog Box**

Conditions can be set on the [Condition] sheet. The operation when the condition is satisfied can be set on the [Action] sheet.

Note: For SH7323, the active-through mode does not operate during a break.

### 3.3 Connecting the Emulator with the User System

To use the MFI trace function, the emulator must be connected to the user system with the MFI trace cable. Install the MFI trace connector on the user system to connect the MFI trace cable, referring to section 3.4, Installing the MFI Trace Connector, in this manual. When designing the user system, read the E200F emulator user's manual and hardware manual for the related MPU.

### 3.4 Installing the MFI Trace Connector

#### 3.4.1 MFI Trace Connector Installed on the User System

Table 3.3 shows the recommended MFI trace connector.

**Table 3.3 Recommended Connector**

Type Number	Manufacturer	Specification
QSH-030-01-L-D-A	Samtec, Inc.	QSH series, 0.5-mm pitch, 60 pins

- Notes:
1. To connect the connector on the MFI trace cable, do not place any components within 6 mm of the MFI trace connector.
  2. When the optional external bus trace unit is used, there are restrictions on the position to install the MFI trace connector. For details, refer to section 3.4.3, Layout of the MFI Trace Connector.

#### 3.4.2 Pin Assignments of the MFI Trace Connector

Table 3.4 and figure 3.5 show the pin assignments of the MFI trace connector.

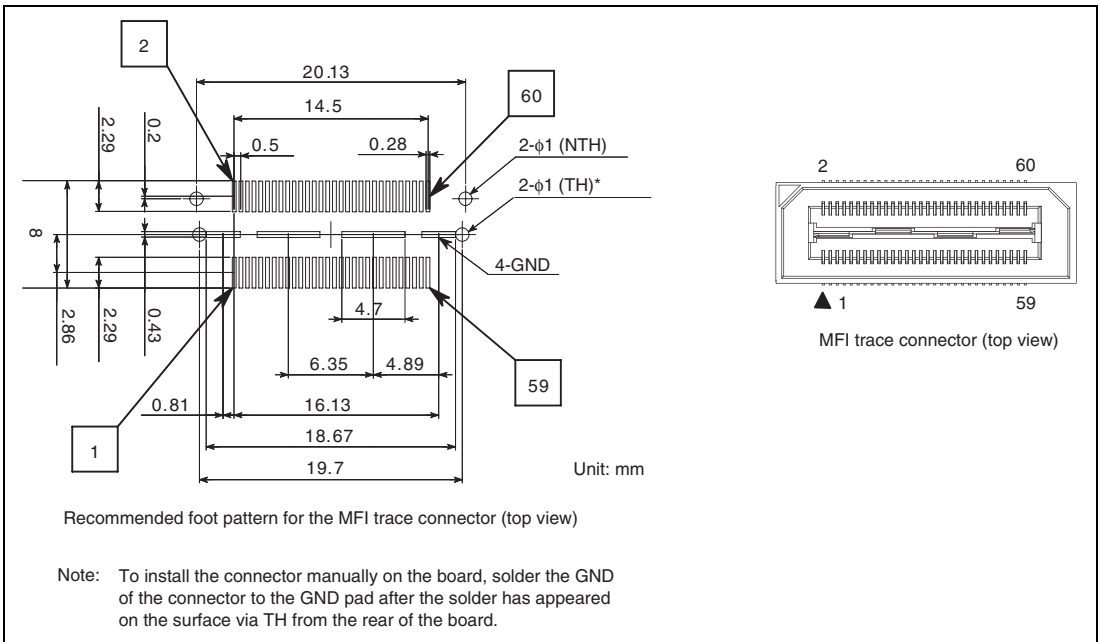
**Table 3.4 Pin Assignments of the MFI Trace Connector**

Pin No.	Signal	Input/ Output	SH7323 Pin No.	Note	Pin No.	Signal	Input/ Output	SH7323 Pin No.	Note
1	GND	-			29	THMDCH	Output	C19	
2	GND	-			30	/THMSK <sup>2</sup>	Output	D18	
3	N.C. <sup>7</sup>	-			31	/MFIINT <sup>2</sup>	Output	E17	
4	GND	-			32	/MFICS <sup>2</sup>	Output	E16	
5	GND	-			33	/THCS <sup>2</sup>	Output	B19	
6	MFID0	Output	B14		34	GND	-		
7	MFID1	Output	E13		35	GND	-		
8	MFID2	Output	D13		36	MFIRW/RD	Output	D17	
9	MFID3	Output	C13		37	MFIE/WR	Output	D16	
10	MFID4	Output	B13		38	MFIMD	Output	B18	
11	MFID5	Output	E12		39	THEXT	Output	C17	
12	MFID6	Output	D12		40	/RESETP <sup>2,3</sup>	Output	U12	User reset
13	MFID7	Output	C12		41	STATUS0 <sup>4</sup>	Output	V11	
14	GND	-			42	N.C. <sup>7</sup>	-		
15	GND	-			43	N.C. <sup>7</sup>	-		
16	MFID8	Output	C16		44	GND	-		
17	MFID9	Output	B16		45	GND	-		
18	MFID10	Output	E15		46	N.C. <sup>7</sup>	-		
19	MFID11	Output	D15		47	N.C. <sup>7</sup>	-		
20	MFID12	Output	C15		48	N.C. <sup>7</sup>	-		
21	MFID13	Output	E14		49	N.C. <sup>7</sup>	-		
22	MFID14	Output	D14		50	N.C. <sup>7</sup>	-		
23	MFID15	Output	C14		51	N.C. <sup>7</sup>	-		
24	GND	-			52	N.C. <sup>7</sup>	-		
25	GND	-			53	N.C. <sup>7</sup>	-		
26	THA1	Output	D19		54	GND	-		
27	MFIRS (THA2)	Output	B17		55	GND	-		
28	THA3	Output	C18		56	GND <sup>5</sup>	Output		Connection detection

**Table 3.4 Pin Assignments of the MFI Trace Connector (cont)**

Pin No.	Signal	Input/ Output	SH7323 Pin No.	Note	Pin No.	Signal	Input/ Output	SH7323 Pin No.	Note
57	GND	-			59	VCC_MFI <sup>6</sup>	Output	A16, A18	MFI VCC voltage detection
58	GND	-			60	VCC_MFI <sup>6</sup>	Output	A16, A18	MFI VCC voltage detection

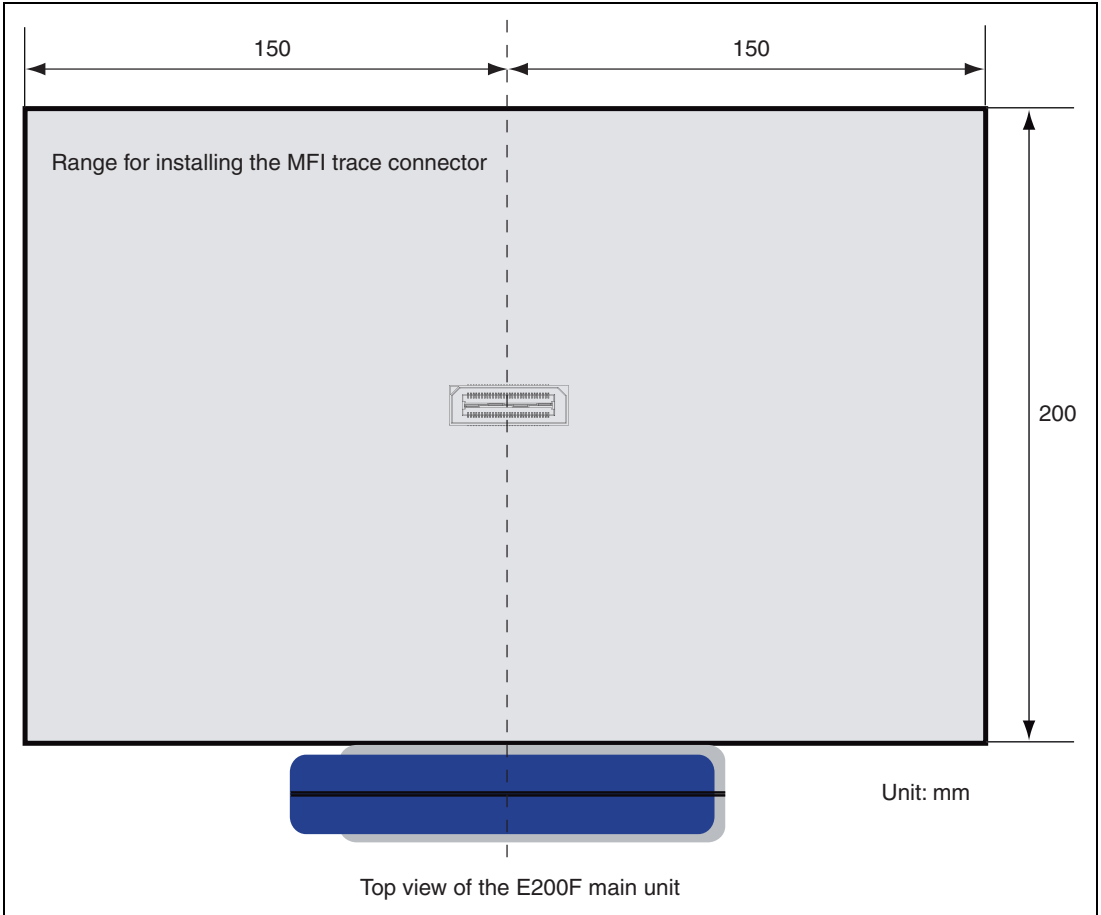
- Notes:
1. Input to or output from the user system.
  2. The slash (/) means that the signal is active-low.
  3. Connect the signal to the /RESETP pin of SH7323.
  4. Connect the signal to the STATUS0 pin of SH7323.
  5. The emulator monitors the GND signal of the user system and detects whether or not the user system is connected.
  6. Connect the signal to the Vcc\_MFI pin of SH7323.
  7. Do not connect anything to the N.C. pins.



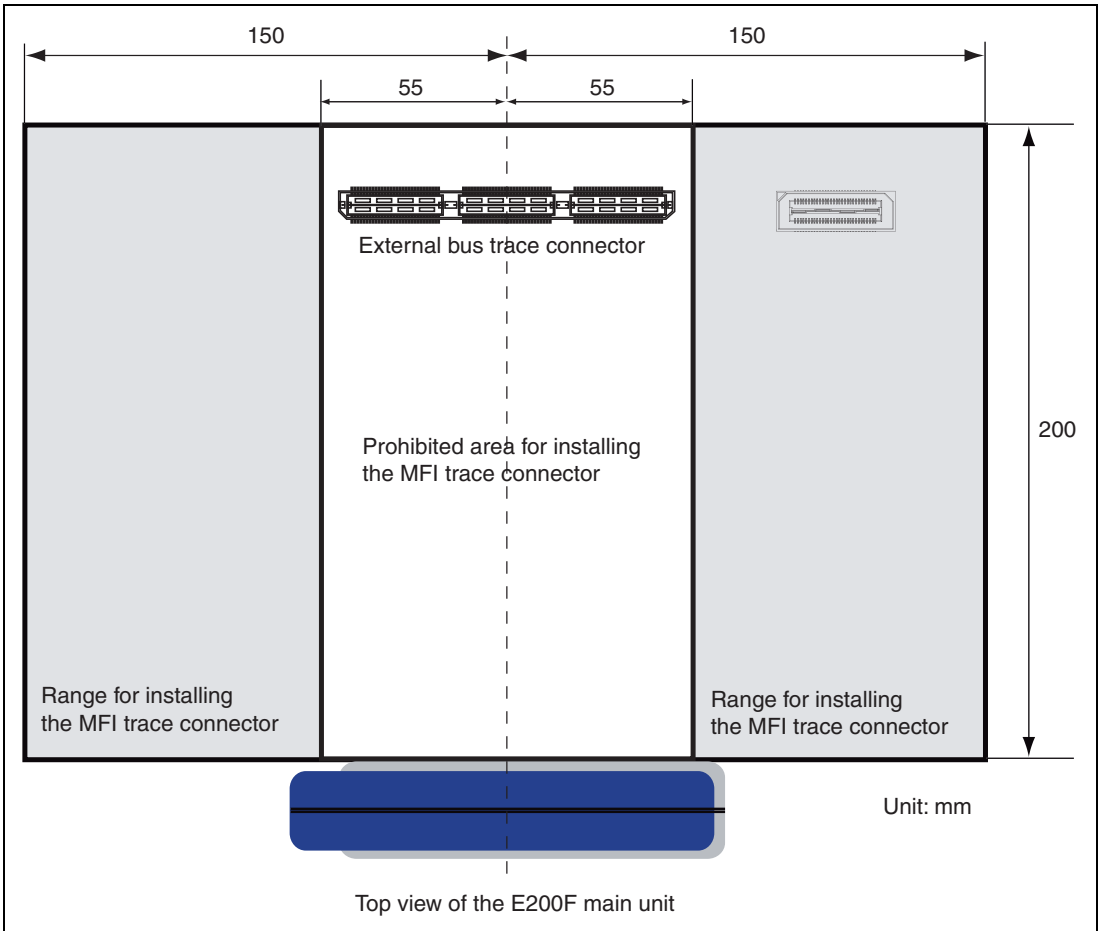
**Figure 3.5 Pin Assignments of the MFI Trace Connector**

### 3.4.3 Layout of the MFI Trace Connector

When designing the user system, there are restrictions on the position to install the MFI trace connector. Figures 3.6 and 3.7 show the position to install the MFI trace connector and the restriction on using the optional trace unit, respectively.



**Figure 3.6 Position to Install the MFI Trace Connector (when the Trace Unit Not Used)**



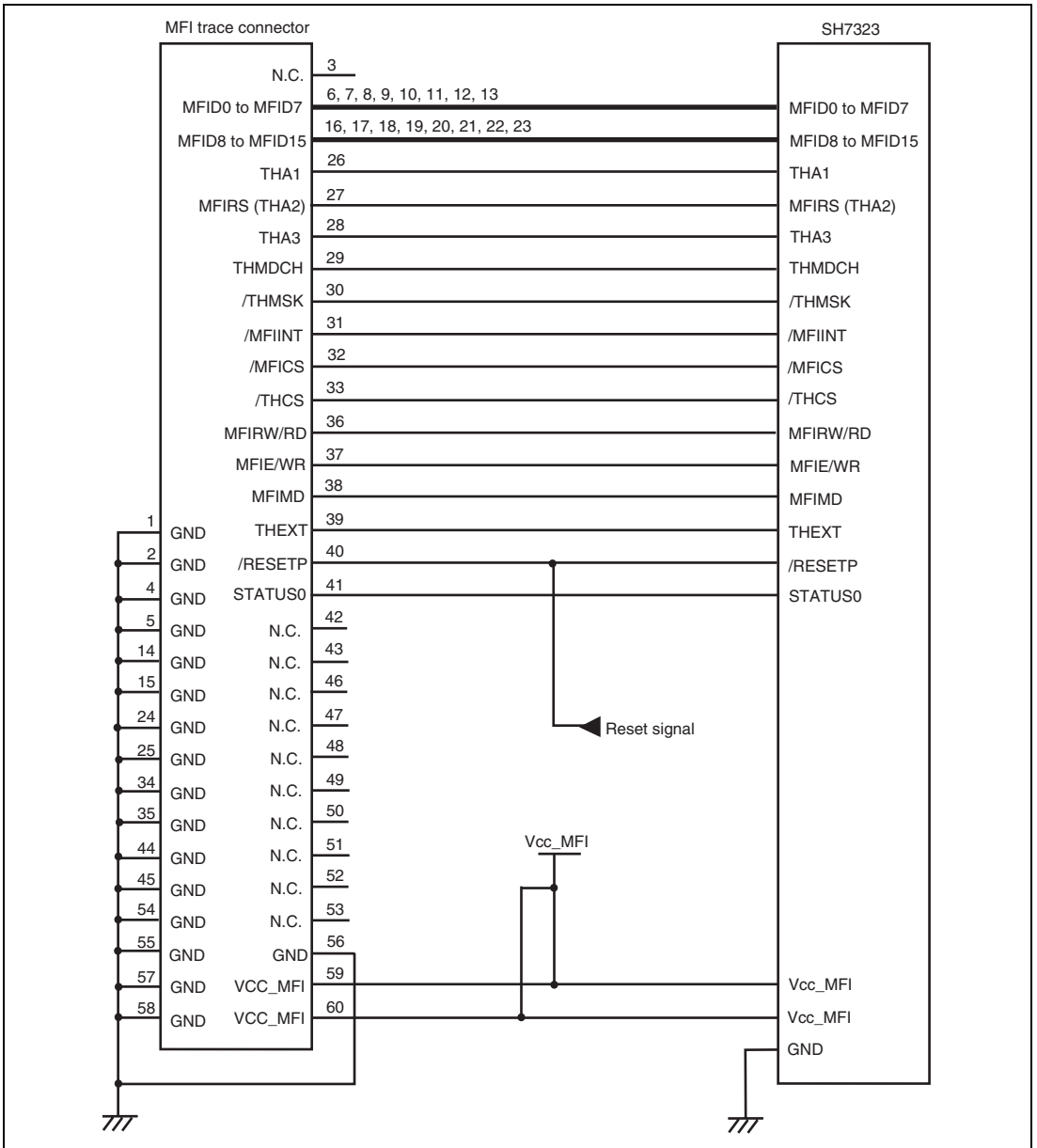
**Figure 3.7 Position to Install the MFI Trace Connector (when the Trace Unit Used)**

### 3.4.4 Recommended Circuit between the MFI Trace Connector and the MPU

Figure 3.8 shows a recommended circuit for connection between the MFI trace connector and the MPU when the emulator is in use.

- Notes:
1. Do not connect anything to the N.C. pins of the MFI trace connector.
  2. The pattern between the MFI trace connector and the MPU must be as short as possible. Do not connect the signal lines to other components on the board.
  3. Since the MFI operates with the Vcc\_MFI voltage, supply only Vcc\_MFI to the Vcc\_MFI pin.
  4. For the pin processing in cases where the emulator is not used, refer to the hardware manual of the related MPU.





**Figure 3.8 Recommended Circuit for Connection between the MFI Trace Connector and MPU**

### 3.5 Restrictions on the MFI Trace and MFI Extended Monitor for I/O Analyzer Function

- (1) When the emulator is booted with the 68 interface of the extended-through mode, the extended monitor will show a message [Standard through mode in MFI boot].
- (2) For MFI trace, [DMA\_MFRAM access] is only displayed at accessing MFRAM after bits LOCKW, DWTW, and WT in MFISCRW and MFISCRW have been set via the MFI bus. If these bits are set in the SH-Mobile user program, [MFI Register access] will be displayed after MFRAM is accessed.
- (3) When MFIDREQ is transferred to MFIRAM, it may not be reflected on the extended monitor. It is because the assert timing of MFIDREQ is short and MFIDREQ is not sampled at the updated timing for the extended monitor.

# Section 4 Preparing to Connect the Trace Unit

## 4.1 Connecting the E200F Trace Unit with the User System

To use the external bus trace function in the emulator, the emulator and the user system must be connected via the external bus trace unit (R0E0200F0ETU00). Install the trace unit connector on the user system for connection of the trace unit, referring to section 4.2, Installing the Trace Unit Connector, in this manual. When designing the user system, read the SH-4A, SH4AL-DSP E200F Emulator User's Manual and hardware manual for the related MPU.

## 4.2 Installing the Trace Unit Connector

### 4.2.1 Trace Unit Connector Installed on the User System

Table 4.1 shows the recommended trace unit connector.

**Table 4.1 Recommended Connector**

Type Number	Manufacturer	Specification
QTH-090-04-L-D-A	Samtec, Inc.	QTH series, 0.5-mm pitch, 180 pins

- Notes:
1. To connect the connector on the trace unit, do not place any components within 6 mm of the trace unit connector.
  2. When the optional MFI trace connector is used, there are restrictions on the position to install the trace unit connector. For details, refer to section 3.4.3, Layout of the MFI Trace Connector.

## 4.2.2 Pin Assignments of the User System Connector

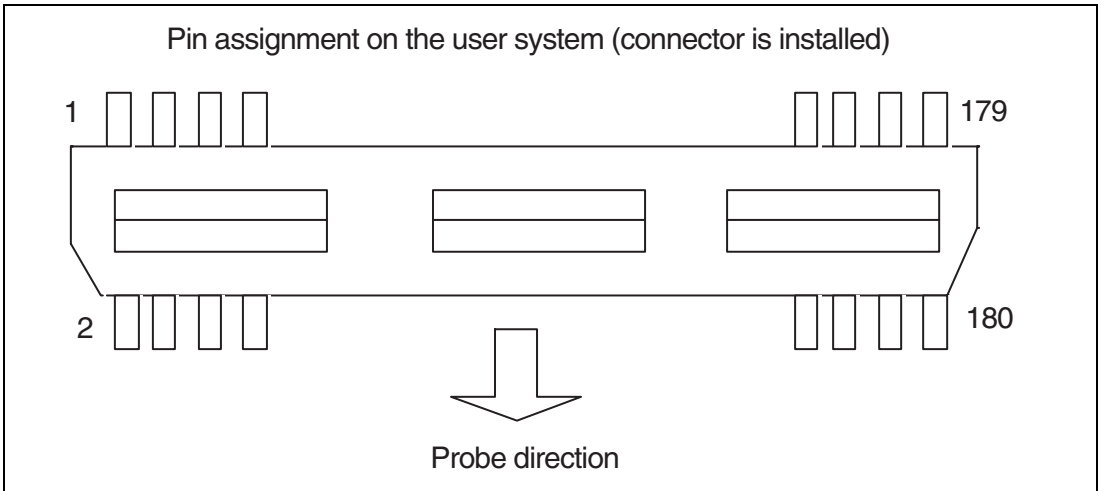


Figure 4.1 Pin Assignments of the User System Connector

## 4.2.3 Recommended Foot Pattern

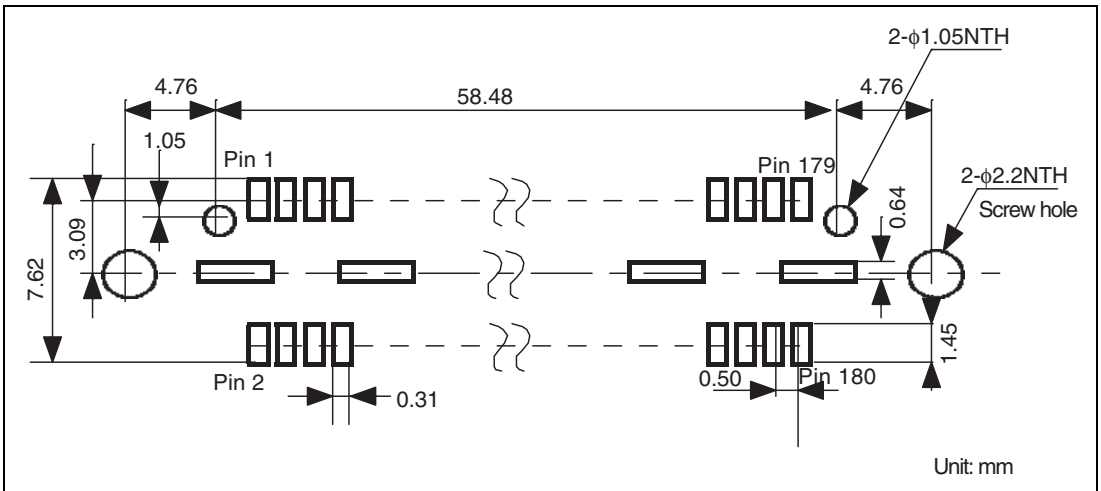
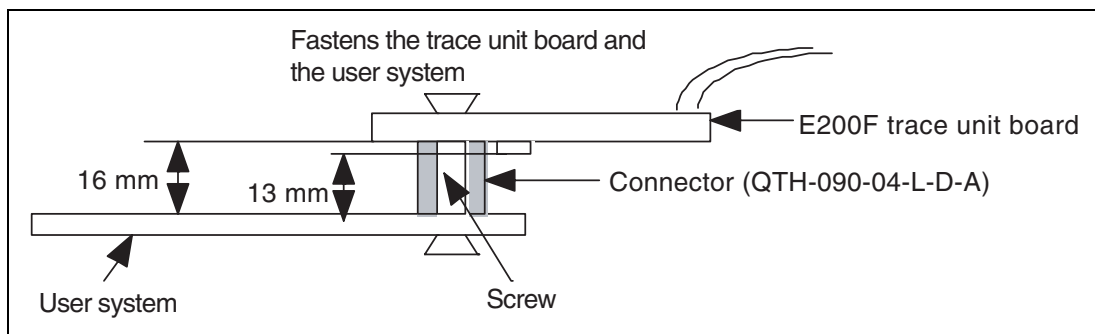


Figure 4.2 Recommended Foot Pattern (on which the Connector is Installed)

## 4.2.4 Restrictions on Component Installation



**Figure 4.3 Restrictions on Component Installation**

## 4.2.5 Pin Assignments of the Trace Unit Connector

Table 4.2 shows the pin assignments of the trace unit connector.

**Table 4.2 Pin Assignments of the Trace Unit Connector**

Pin No.	I/O (CONT)	Connector Pin Name	SH7323 Signal Name	Voltage	Meaning of Signal	Note
1	I	UA-P0	PTJ6/A0	1.8 V/ 2.85 V	Port/address bus	Connect the address signal of the MPU.
2	I	UA-P1	A1	1.8 V/ 2.85 V	Address bus	Fix A0 to low level when A0 is not used.
3	I	UA-P2	A2	1.8 V/ 2.85 V	Address bus	Fix A0 to low level when A0 is not used.
4	I	UA-P3	A3	1.8 V/ 2.85 V	Address bus	Fix A0 to low level when A0 is not used.
5	I	UA-P4	A4	1.8 V/ 2.85 V	Address bus	Fix A0 to low level when A0 is not used.
6	I	UA-P5	A5	1.8 V/ 2.85 V	Address bus	Fix A0 to low level when A0 is not used.
7	I	UA-P6	A6	1.8 V/ 2.85 V	Address bus	Fix A0 to low level when A0 is not used.
8	I	UA-P7	A7	1.8 V/ 2.85 V	Address bus	Fix A0 to low level when A0 is not used.
9	I	GND	GND			
10	I	GND	GND			
11	I	UA-P8	A8	1.8 V/ 2.85 V	Address bus	Fix A0 to low level when A0 is not used.
12	I	UA-P9	A9	1.8 V/ 2.85 V	Address bus	Fix A0 to low level when A0 is not used.
13	I	UA-P10	A10	1.8 V/ 2.85 V	Address bus	Fix A0 to low level when A0 is not used.
14	I	UA-P11	A11	1.8 V/ 2.85 V	Address bus	Fix A0 to low level when A0 is not used.
15	I	UA-P12	A12	1.8 V/ 2.85 V	Address bus	Fix A0 to low level when A0 is not used.
16	I	UA-P13	A13	1.8 V/ 2.85 V	Address bus	Fix A0 to low level when A0 is not used.
17	I	UA-P14	A14	1.8 V/ 2.85 V	Address bus	Fix A0 to low level when A0 is not used.
18	I	UA-P15	A15	1.8 V/ 2.85 V	Address bus	Fix A0 to low level when A0 is not used.

**Table 4.2 Pin Assignments of the Trace Unit Connector (cont)**

Pin No.	I/O (CONT)	Connector Pin Name	SH7323 Signal Name	Voltage	Meaning of Signal	Note
19	I	GND	GND			
20	I	GND	GND			
21	I	UA-P16	A16	1.8 V/ 2.85 V	Address bus	Fix A0 to low level when A0 is not used.
22	I	UA-P17	A17	1.8 V/ 2.85 V	Address bus	Fix A0 to low level when A0 is not used.
23	I	UA-P18	A18	1.8 V/ 2.85 V	Address bus	Fix A0 to low level when A0 is not used.
24	I	UA-P19	A19	1.8 V/ 2.85 V	Address bus	Fix A0 to low level when A0 is not used.
25	I	UA-P20	A20	1.8 V/ 2.85 V	Address bus	Fix A0 to low level when A0 is not used.
26	I	UA-P21	A21	1.8 V/ 2.85 V	Address bus	Fix A0 to low level when A0 is not used.
27	I	UA-P22	A22	1.8 V/ 2.85 V	Address bus	Fix A0 to low level when A0 is not used.
28	I	UA-P23	PTJ7/A23	1.8 V/ 2.85 V	Port/address bus	Connect this signal when it is also used as a port.
29	I	GND	GND			
30	I	GND	GND			
31	I	UA-P24	N.C. <sup>†1</sup>			
32	I	UA-P25	N.C. <sup>†1</sup>			
33	I	UA-P26	N.C. <sup>†1</sup>			
34	I	UA-P27	N.C. <sup>†1</sup>			
35	I	UA-P28	N.C. <sup>†1</sup>			
36	I	UA-P29	N.C. <sup>†1</sup>			
37	I	UA-P30	N.C. <sup>†1</sup>			
38	I	UA-P31	N.C. <sup>†1</sup>			
39	I	GND	GND			
40	I	GND	GND			

**Table 4.2 Pin Assignments of the Trace Unit Connector (cont)**

<b>Pin No.</b>	<b>I/O (CONT)</b>	<b>Connector Pin Name</b>	<b>SH7323 Signal Name</b>	<b>Voltage</b>	<b>Meaning of Signal</b>	<b>Note</b>
41	IO	UD-P0	D0	1.8 V/ 2.85 V	Data bus	Connect the data signal of the MPU.
42	IO	UD-P1	D1	1.8 V/ 2.85 V	Data bus	Connect the data signal of the MPU.
43	IO	UD-P2	D2	1.8 V/ 2.85 V	Data bus	Connect the data signal of the MPU.
44	IO	UD-P3	D3	1.8 V/ 2.85 V	Data bus	Connect the data signal of the MPU.
45	IO	UD-P4	D4	1.8 V/ 2.85 V	Data bus	Connect the data signal of the MPU.
46	IO	UD-P5	D5	1.8 V/ 2.85 V	Data bus	Connect the data signal of the MPU.
47	IO	UD-P6	D6	1.8 V/ 2.85 V	Data bus	Connect the data signal of the MPU.
48	IO	UD-P7	D7	1.8 V/ 2.85 V	Data bus	Connect the data signal of the MPU.
49		GND	GND			
50		GND	GND			
51	IO	UD-P8	D8	1.8 V/ 2.85 V	Data bus	Connect the data signal of the MPU.
52	IO	UD-P9	D9	1.8 V/ 2.85 V	Data bus	Connect the data signal of the MPU.
53	IO	UD-P10	D10	1.8 V/ 2.85 V	Data bus	Connect the data signal of the MPU.
54	IO	UD-P11	D11	1.8 V/ 2.85 V	Data bus	Connect the data signal of the MPU.
55	IO	UD-P12	D12	1.8 V/ 2.85 V	Data bus	Connect the data signal of the MPU.
56	IO	UD-P13	D13	1.8 V/ 2.85 V	Data bus	Connect the data signal of the MPU.
57	IO	UD-P14	D14	1.8 V/ 2.85 V	Data bus	Connect the data signal of the MPU.
58	IO	UD-P15	D15	1.8 V/ 2.85 V	Data bus	Connect the data signal of the MPU.



**Table 4.2 Pin Assignments of the Trace Unit Connector (cont)**

Pin No.	I/O (CONT)	Connector Pin Name	SH7323 Signal Name	Voltage	Meaning of Signal	Note
59		GND	GND			
60		GND	GND			
61	IO	UD-P16	N.C. <sup>1)</sup>	1.8 V	N.C.	Connect the SDRAM data bus. N.C. for the SIP products.
62	IO	UD-P17	N.C. <sup>1)</sup>	1.8 V	N.C.	Connect the SDRAM data bus. N.C. for the SIP products.
63	IO	UD-P18	N.C. <sup>1)</sup>	1.8 V	N.C.	Connect the SDRAM data bus. N.C. for the SIP products.
64	IO	UD-P19	N.C. <sup>1)</sup>	1.8 V	N.C.	Connect the SDRAM data bus. N.C. for the SIP products.
65	IO	UD-P20	N.C. <sup>1)</sup>	1.8 V	N.C.	Connect the SDRAM data bus. N.C. for the SIP products.
66	IO	UD-P21	N.C. <sup>1)</sup>	1.8 V	N.C.	Connect the SDRAM data bus. N.C. for the SIP products.
67	IO	UD-P22	N.C. <sup>1)</sup>	1.8 V	N.C.	Connect the SDRAM data bus. N.C. for the SIP products.
68	IO	UD-P23	N.C. <sup>1)</sup>	1.8 V	N.C.	Connect the SDRAM data bus. N.C. for the SIP products.
69		GND	GND			
70		GND	GND			
71	IO	UD-P24	N.C. <sup>1)</sup>	1.8 V	N.C.	Connect the SDRAM data bus. N.C. for the SIP products.
72	IO	UD-P25	N.C. <sup>1)</sup>	1.8 V	N.C.	Connect the SDRAM data bus. N.C. for the SIP products.

**Table 4.2 Pin Assignments of the Trace Unit Connector (cont)**

Pin No.	I/O (CONT)	Connector Pin Name	SH7323 Signal Name	Voltage	Meaning of Signal	Note
73	IO	UD-P26	N.C. <sup>†1</sup>	1.8 V	N.C.	Connect the SDRAM data bus. N.C. for the SIP products.
74	IO	UD-P27	N.C. <sup>†1</sup>	1.8 V	N.C.	Connect the SDRAM data bus. N.C. for the SIP products.
75	IO	UD-P28	N.C. <sup>†1</sup>	1.8 V	N.C.	Connect the SDRAM data bus. N.C. for the SIP products.
76	IO	UD-P29	N.C. <sup>†1</sup>	1.8 V	N.C.	Connect the SDRAM data bus. N.C. for the SIP products.
77	IO	UD-P30	N.C. <sup>†1</sup>	1.8 V	N.C.	Connect the SDRAM data bus. N.C. for the SIP products.
78	IO	UD-P31	N.C. <sup>†1</sup>	1.8 V	N.C.	Connect the SDRAM data bus. N.C. for the SIP products.
79		GND	GND			
80		GND	GND			
81	IO	UD-P32	N.C. <sup>†1</sup>	1.8 V	N.C.	
82	IO	UD-P33	N.C. <sup>†1</sup>	1.8 V	N.C.	
83	IO	UD-P34	N.C. <sup>†1</sup>	1.8 V	N.C.	
84	IO	UD-P35	N.C. <sup>†1</sup>	1.8 V	N.C.	
85	IO	UD-P36	N.C. <sup>†1</sup>	1.8 V	N.C.	
86	IO	UD-P37	N.C. <sup>†1</sup>	1.8 V	N.C.	
87	IO	UD-P38	N.C. <sup>†1</sup>	1.8 V	N.C.	
88	IO	UD-P39	N.C. <sup>†1</sup>	1.8 V	N.C.	
89		GND	GND			
90		GND	GND			
91	IO	UD-P40	N.C. <sup>†1</sup>	1.8 V	N.C.	
92	IO	UD-P41	N.C. <sup>†1</sup>	1.8 V	N.C.	

**Table 4.2 Pin Assignments of the Trace Unit Connector (cont)**

Pin No.	I/O (CONT)	Connector Pin Name	SH7323 Signal Name	Voltage	Meaning of Signal	Note
93	IO	UD-P42	N.C. <sup>†1</sup>	1.8 V	N.C.	
94	IO	UD-P43	N.C. <sup>†1</sup>	1.8 V	N.C.	
95	IO	UD-P44	N.C. <sup>†1</sup>	1.8 V	N.C.	
96	IO	UD-P45	N.C. <sup>†1</sup>	1.8 V	N.C.	
97	IO	UD-P46	N.C. <sup>†1</sup>	1.8 V	N.C.	
98	IO	UD-P47	N.C. <sup>†1</sup>	1.8 V	N.C.	
99		GND	GND			
100		GND	GND			
101	IO	UD-P48	N.C. <sup>†1</sup>	1.8 V	N.C.	Connect the SDR-SDRAM address bus. N.C. for the SIP products.
102	IO	UD-P49	N.C. <sup>†1</sup>	1.8 V	N.C.	Connect the SDR-SDRAM address bus. N.C. for the SIP products.
103	IO	UD-P50	N.C. <sup>†1</sup>	1.8 V	N.C.	Connect the SDR-SDRAM address bus. N.C. for the SIP products.
104	IO	UD-P51	N.C. <sup>†1</sup>	1.8 V	N.C.	Connect the SDR-SDRAM address bus. N.C. for the SIP products.
105	IO	UD-P52	N.C. <sup>†1</sup>	1.8 V	N.C.	Connect the SDR-SDRAM address bus. N.C. for the SIP products.
106	IO	UD-P53	N.C. <sup>†1</sup>	1.8 V	N.C.	Connect the SDR-SDRAM address bus. N.C. for the SIP products.
107	IO	UD-P54	N.C. <sup>†1</sup>	1.8 V	N.C.	Connect the SDR-SDRAM address bus. N.C. for the SIP products.

**Table 4.2 Pin Assignments of the Trace Unit Connector (cont)**

Pin No.	I/O (CONT)	Connector Pin Name	SH7323 Signal Name	Voltage	Meaning of Signal	Note
108	IO	UD-P55	N.C. <sup>†1</sup>	1.8 V	N.C.	Connect the SDR-SDRAM address bus. N.C. for the SIP products.
109		GND	GND			
110		GND	GND			
111	IO	UD-P56	N.C. <sup>†1</sup>	1.8 V	N.C.	Connect the SDR-SDRAM address bus. N.C. for the SIP products.
112	IO	UD-P57	N.C. <sup>†1</sup>	1.8 V	N.C.	Connect the SDR-SDRAM address bus. N.C. for the SIP products.
113	IO	UD-P58	N.C. <sup>†1</sup>	1.8 V	N.C.	Connect the SDR-SDRAM address bus. N.C. for the SIP products.
114	IO	UD-P59	N.C. <sup>†1</sup>	1.8 V	N.C.	Connect the SDR-SDRAM address bus. N.C. for the SIP products.
115	IO	UD-P60	N.C. <sup>†1</sup>	1.8 V	N.C.	Connect the SDR-SDRAM address bus. N.C. for the SIP products.
116	IO	UD-P61	N.C. <sup>†1</sup>	1.8 V	N.C.	Connect the SDR-SDRAM address bus. N.C. for the SIP products.
117	IO	UD-P62	N.C. <sup>†1</sup>	1.8 V	N.C.	Connect the SDR-SDRAM address bus. N.C. for the SIP products.
118	IO	UD-P63	GND			
119		GND	GND			
120		GND	GND			

**Table 4.2 Pin Assignments of the Trace Unit Connector (cont)**

Pin No.	I/O (CONT)	Connector Pin Name	SH7323 Signal Name	Voltage	Meaning of Signal	Note
121	I	UCONT-P0	WE0	1.8 V/ 2.85 V	Lower byte write signal (D7-D0)	Connect the WE0 signal of the MPU.
122	I	UCONT-P1	WE1	1.8 V/ 2.85 V	Upper byte write signal (D15-D8)	Connect the WE1 signal of the MPU.
123	I	UCONT-P2	N.C. <sup>1)</sup>	1.8 V	N.C.	N.C. for the SIP products.
124	I	UCONT-P3	N.C. <sup>1)</sup>	1.8 V	N.C.	N.C. for the SIP products.
125	I	UCONT-P4	N.C. <sup>1)</sup>			
126	I	UCONT-P5	N.C. <sup>1)</sup>			
127	I	UCONT-P6	N.C. <sup>1)</sup>			
128	I	UCONT-P7	N.C. <sup>1)</sup>			
129	I	UCONT-P8	N.C. <sup>1)</sup>			
130	I	UCONT-P9	N.C. <sup>1)</sup>			
131	I	UCONT-P10	RDWR	1.8 V/ 2.85 V	Read/write signal	Connect the RDWR signal of the MPU.
132	I	UCONT-P11	RD	1.8 V/ 2.85 V	Read signal	Connect the RD signal of the MPU.
133	I	UCONT-P12	RESETP	2.85 V	Power-on reset	Connect the RESETP signal of the MPU.
134	I	UCONT-P13	N.C. <sup>1)</sup>	1.8 V	N.C.	N.C. for the SIP products.
135	I	UCONT-P14	N.C. <sup>1)</sup>	1.8 V	N.C.	N.C. for the SIP products.
136	I	UCONT-P15	N.C. <sup>1)</sup>	1.8V	N.C.	N.C. for the SIP products.

**Table 4.2 Pin Assignments of the Trace Unit Connector (cont)**

Pin No.	I/O (CONT)	Connector Pin Name	SH7323 Signal Name	Voltage	Meaning of Signal	Note
137	I	UCONT-P16	PTH4/ LCDCLK/ WAIT	1.8 V/ 2.85 V	Port/LCDCLK/wait	Connect the wait signal of the MPU. When WAIT is not used, this is N.C.
138	I	UCONT-P17	STATUS0	2.85 V	Status output	Connect the STATUS0 signal of the MPU.
139	I	UCONT-P18	N.C. <sup>†</sup>	2.85 V	Status output	Connect the STATUS2 signal of the MPU.
140	I	UCONT-P19	PDSTATUS	2.85 V	Status output	Connect the PDSTATUS signal of the MPU.
141	I	UCONT-P20	NMI	2.85 V	NMI	Connect the NMI signal of the MPU.
142	I	UCONT-P21	PTJ0/IRQ0	2.85 V	Port/interrupt request	Connect the interrupt request signal. When interrupt is not used, this is N.C.
143	I	UCONT-P22	PTJ1/IRQ1	1.8 V/ 2.85 V	Port/SIOF master clock/interrupt request	Connect the interrupt request signal. When interrupt is not used, this is N.C.
144	I	UCONT-P23	PTQ0/ SIOFMCK/ IRQ2	1.8 V/ 2.85 V	Port/SIOF serial clock/interrupt request	Connect the interrupt request signal. When interrupt is not used, this is N.C.
145	I	UCONT-P24	PTQ1/ SIOFSCK/ IRQ3	1.8 V/ 2.85 V	Port/SIOF frame/interrupt request	Connect the interrupt request signal. When interrupt is not used, this is N.C.
146	I	UCONT-P25	PTQ2/ SIOFSYNC/ IRQ4	1.8 V/ 2.85 V	Port/SIOFFSCK/interrupt request	Connect the interrupt request signal. When interrupt is not used, this is N.C.
147	I	UCONT-P26	PTJ2/IRQ5	1.8 V/ 2.85 V		

**Table 4.2 Pin Assignments of the Trace Unit Connector (cont)**

Pin No.	I/O (CONT)	Connector Pin Name	SH7323 Signal Name	Voltage	Meaning of Signal	Note
148	I	UCONT-P27	N.C. <sup>1)</sup>			
149	I	UCONT-P28	N.C. <sup>1)</sup>			
150	I	UCONT-P29	N.C. <sup>1)</sup>			
151	I	UCONT-P30	N.C. <sup>1)</sup>			
152	I	UCONT-P31	EXT3	1.8 V/ 2.85 V	External bus trace signal 4	Trace/break signal 4 for the user-defined external signal
153	I	GND	GND			
154	I	GND	GND			
155	I	MPUCLK	CKO	1.8 V/ 2.85 V	CKO clock	Be sure to connect the CKO clock of the MPU.
156	I	GND	GND			
157	I	GND	GND			
158	I	DDRCLK	N.C. <sup>1)</sup>	1.8 V	N.C.	N.C. for the SIP products.
159	I	GND	GND			
160	I	DDRCLK-N	N.C. <sup>1)</sup>			
161	I	GND	GND			
162	I	GND	GND			
163	I	CS0IN-N	CS0	1.8 V/ 2.85 V	Chip select	Connect CS (chip select). Fix the unused CS pin to high level.
164	I	CS1IN-N	PTR4/CS2	1.8 V/ 2.85 V	Chip select	Connect CS (chip select). Fix the unused CS pin to high level.

**Table 4.2 Pin Assignments of the Trace Unit Connector (cont)**

Pin No.	I/O (CONT)	Connector Pin Name	SH7323 Signal Name	Voltage	Meaning of Signal	Note
165	I	CS2IN-N	N.C. <sup>1</sup>	1.8 V	Chip select	Connect CS (chip select). Fix the unused CS pin to high level.
166	I	CS3IN-N	PTJ5/CS4	1.8 V/ 2.85 V	Chip select	Connect CS (chip select). Fix the unused CS pin to high level.
167	I	CS4IN-N	N.C. <sup>1</sup>			
168	I	CS5IN-N	N.C. <sup>1</sup>			
169	I	CS6IN-N	N.C. <sup>1</sup>			
170	I	CS7IN-N	N.C. <sup>1</sup>			
171	I	CS8IN-N	N.C. <sup>1</sup>			
172	I	CS9IN-N	N.C. <sup>1</sup>			
173	O	EM0OUT-N	EM0OUT-N	1.8 V/ 2.85 V	Emulation-memory select output	Connect this signal instead of CS of the MPU when an emulation memory is used. <sup>2</sup>
174	O	EM1OUT-N	N.C. <sup>1</sup>			
175	O	EM2OUT-N	N.C. <sup>1</sup>			
176	O	EMEN-P	N.C. <sup>1</sup>			
177	I	UVCC1	VCC_SL (power supply for SRAM interface: 1.8 V/2.85 V)	1.8 V/ 2.85 V	Power supply for SRAM I/O (1.8 V/2.85 V)	
178	I	UVCC2	VCC_Q3 (power supply for SDRAM interface: 1.8 V)	1.8 V	Power supply for SDRAM I/O (1.8 V)	
179	I	UVCC3	Power supply for user system: 2.85 V	2.85 V	Power supply 2.85 V	



**Table 4.2 Pin Assignments of the Trace Unit Connector (cont)**

<b>Pin No.</b>	<b>I/O (CONT)</b>	<b>Connector Pin Name</b>	<b>SH7323 Signal Name</b>	<b>Voltage</b>	<b>Meaning of Signal</b>	<b>Note</b>
180	I	UCNN-N	Connect to user connector	0 V	GND	Fix this signal to low level.

- Notes:
1. Do not connect anything to this pin.
  2. Refer to section 4.2.8, Description of Emulation Memory Control Signal.

#### 4.2.6 Layout of the Trace Unit Connector

When designing the user system, there are restrictions on the position to install the trace unit connector. Figure 4.4 shows the external dimensions of the trace unit.

The size of the printed-circuit board of the E200F trace unit is 90 mm × 125 mm. The size of components around the user system connector must not exceed the limit on component installation (the height must be 10 mm or less).

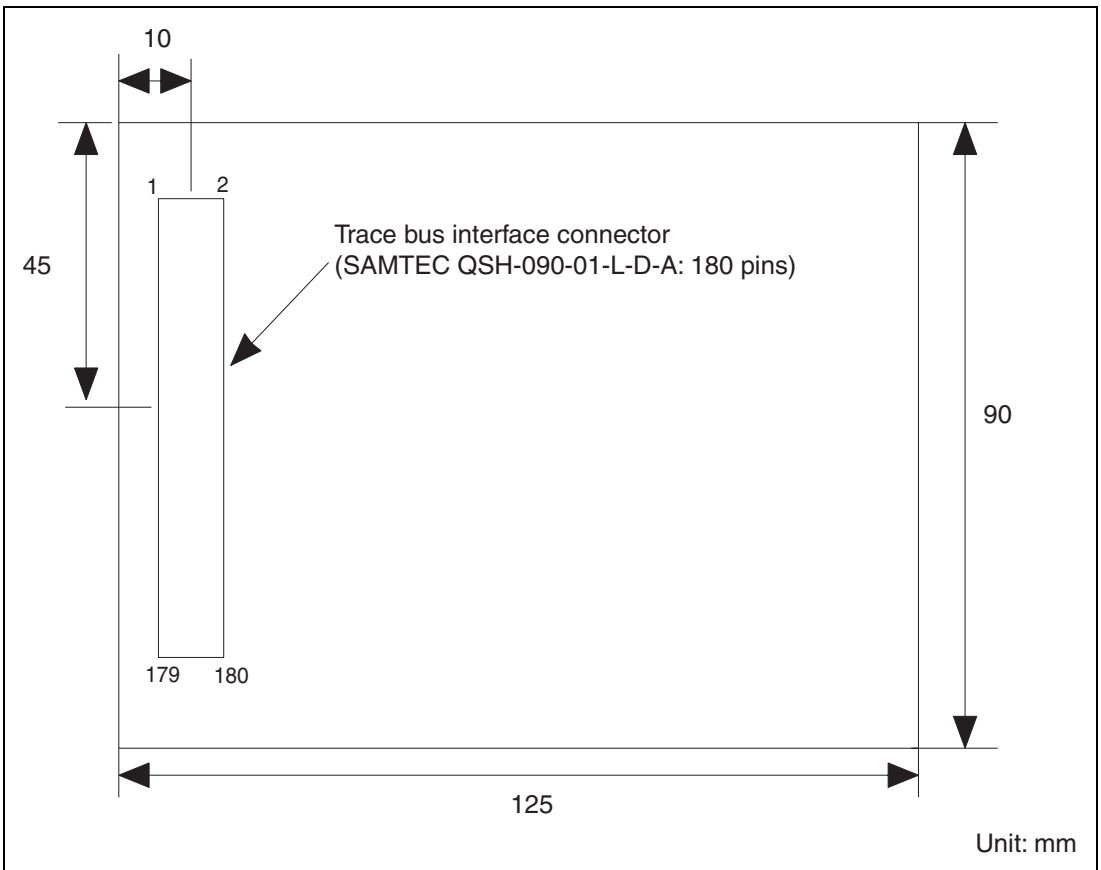


Figure 4.4 External Dimensions of the Trace Unit (on which the Connector is Installed)

- Notes:
1. The external bus trace interface connector installed on the user system must be as close to the MPU as possible.
  2. Wiring pattern of clock lines (CKO)  
The followings are notes on wiring of clock lines for the E200F trace interface signals. Take them into consideration when designing the user system to embed suitable clock lines.
    - (a) Clock lines must be as short as possible.
    - (b) Clock lines must be surrounded by the GND pattern for protection so that the signals will be of low-impedance.
    - (c) Other layers next to the layer with clock line wiring should have solid patterns of GND/VCC so that the signals will be of low-impedance.
    - (d) To prevent affect by the crosstalk noise, other signal patterns must not be embedded along with the clock lines.

#### 4.2.7 Restrictions on Using the Trace Unit

- (1) This trace unit supports the external bus memory interfaces of SH7323; SRAM interface, byte-selection SRAM interface (except for SRAM page mode), and SDRAM interface. For burst ROM and SDRAM interfaces, bus trace acquisition and bus event detection are not supported.
- (2) When the sequential trace stop condition or delay-count trace stop condition is specified, trace acquisition will stop after several cycles have been passed from the stop condition match cycle.
- (3) During break mode, a timestamp value of the external bus trace information that has been acquired by a trace is not counted up.
- (4) When an emulation memory is used, it is not possible to access the memory on the user system which is in the same area as an area where the emulation memory has been set.
- (5) When an emulation memory is accessed, at least six wait cycles are required. Set the number of wait cycles by using bits WR3 to WR0 in the CS0 area wait control register (CS0WCR).
- (6) The emulator occupies the CS0 area where the emulation memory has been set. Accordingly, it is not possible to access the memory in the user system side of that area.
- (7) This trace unit is available for the external 8- or 16-bit data bus width. When the data bus width is 8 bits, unused data bus pins D15 to D8 of the trace unit connector must be fixed to high or low level. In addition, when area 0 is used with the emulation memory, the bus width of the emulation memory needs to be set. For details, refer to section 5.1.8, Changing the Memory Map Setting, in the SH-4A, SH4AL-DSP E200F Emulator User's Manual.

#### 4.2.8 Description of Emulation Memory Control Signal

When the CS signal of the MPU is connected directly to the memory or used to generate the CS signal of the memory, connect the EM0OUT-N signal (pin 173) of the external bus connector instead of the CS signal of the MPU.

Even if the emulator is not used, prepare the jumper pins as shown in figure 4.5 so that connection of the CS signal can be easily changed.

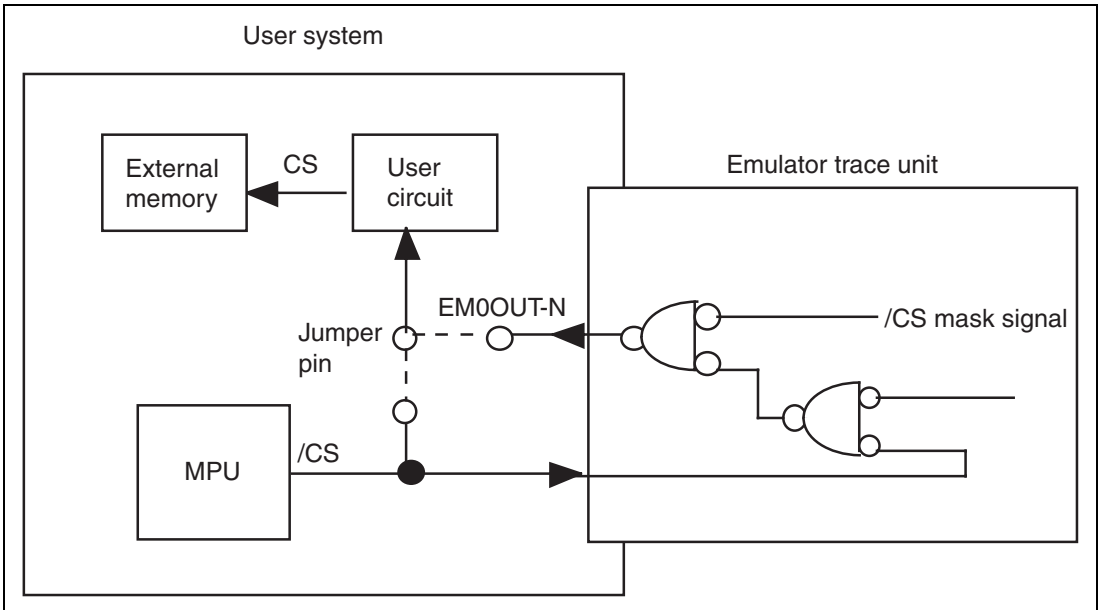


Figure 4.5 EM0OUT-N Signal (Pin 173)

---

**SH-4A, SH4AL-DSP E200F Emulator  
Additional Document for User's Manual  
Supplementary Information on Using the SH7323**

Publication Date: Rev.1.00, April 4, 2005  
Rev.3.00, December 12, 2005  
Published by: Sales Strategic Planning Div.  
Renesas Technology Corp.  
Edited by: Customer Support Department  
Global Strategic Communication Div.  
Renesas Solutions Corp.

Renesas Technology Corp. Sales Strategic Planning Div. Nippon Bldg., 2-6-2, Ohte-machi, Chiyoda-ku, Tokyo 100-0004, Japan

---



## RENESAS SALES OFFICES

<http://www.renesas.com>

Refer to "<http://www.renesas.com/en/network>" for the latest and detailed information.

### **Renesas Technology America, Inc.**

450 Holger Way, San Jose, CA 95134-1368, U.S.A  
Tel: <1> (408) 382-7500, Fax: <1> (408) 382-7501

### **Renesas Technology Europe Limited**

Dukes Meadow, Millboard Road, Bourne End, Buckinghamshire, SL8 5FH, U.K.  
Tel: <44> (1628) 585-100, Fax: <44> (1628) 585-900

### **Renesas Technology (Shanghai) Co., Ltd.**

Unit 205, AZIA Center, No.133 Yincheng Rd (n), Pudong District, Shanghai 200120, China  
Tel: <86> (21) 5877-1818, Fax: <86> (21) 6887-7898

### **Renesas Technology Hong Kong Ltd.**

7th Floor, North Tower, World Finance Centre, Harbour City, 1 Canton Road, Tsimshatsui, Kowloon, Hong Kong  
Tel: <852> 2265-6688, Fax: <852> 2730-6071

### **Renesas Technology Taiwan Co., Ltd.**

10th Floor, No.99, Fushing North Road, Taipei, Taiwan  
Tel: <886> (2) 2715-2888, Fax: <886> (2) 2713-2999

### **Renesas Technology Singapore Pte. Ltd.**

1 Harbour Front Avenue, #06-10, Keppel Bay Tower, Singapore 098632  
Tel: <65> 6213-0200, Fax: <65> 6278-8001

### **Renesas Technology Korea Co., Ltd.**

Kukje Center Bldg. 18th Fl., 191, 2-ka, Hangang-ro, Yongsan-ku, Seoul 140-702, Korea  
Tel: <82> (2) 796-3115, Fax: <82> (2) 796-2145

### **Renesas Technology Malaysia Sdn. Bhd**

Unit 906, Block B, Menara Amcorp, Amcorp Trade Centre, No.18, Jalan Persiaran Barat, 46050 Petaling Jaya, Selangor Darul Ehsan, Malaysia  
Tel: <603> 7955-9390, Fax: <603> 7955-9510

**SH-4A, SH4AL-DSP E200F Emulator  
Additional Document for User's Manual  
Supplementary Information on Using the  
SH7323**



**Renesas Electronics Corporation**

1753, Shimonumabe, Nakahara-ku, Kawasaki-shi, Kanagawa 211-8668 Japan

REJ10J1170-0300