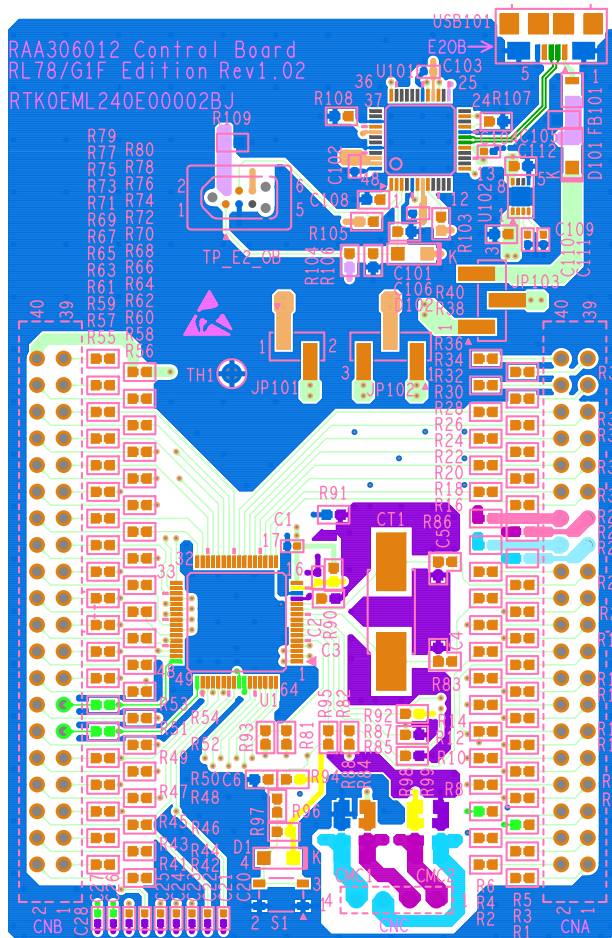


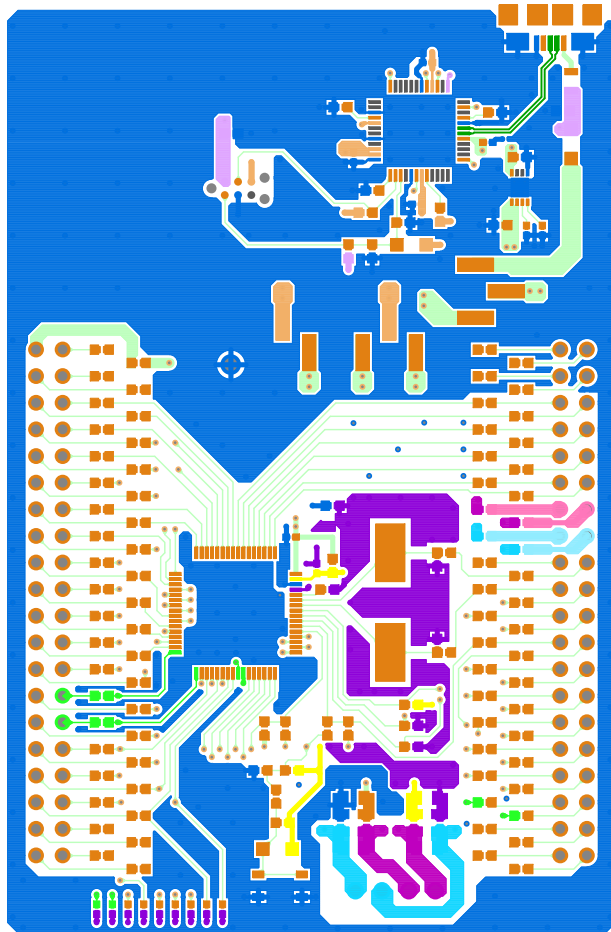
RAA306012 Control Board RL78/G1F EDTION Rev1.02 Board Gerber Data

L1+SILK



RAA306012 Control Board RL78/G1F EDTION Rev1.02 Board Gerber Data

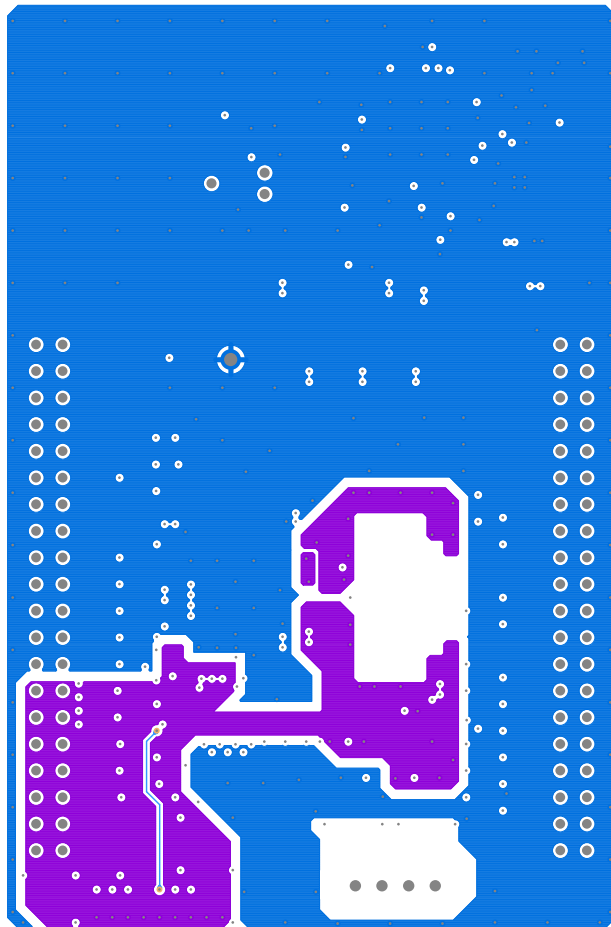
L1+SILK



RAA306012 Control Board RL78/G1F EDTION

Rev1.02 Board Gerber Data

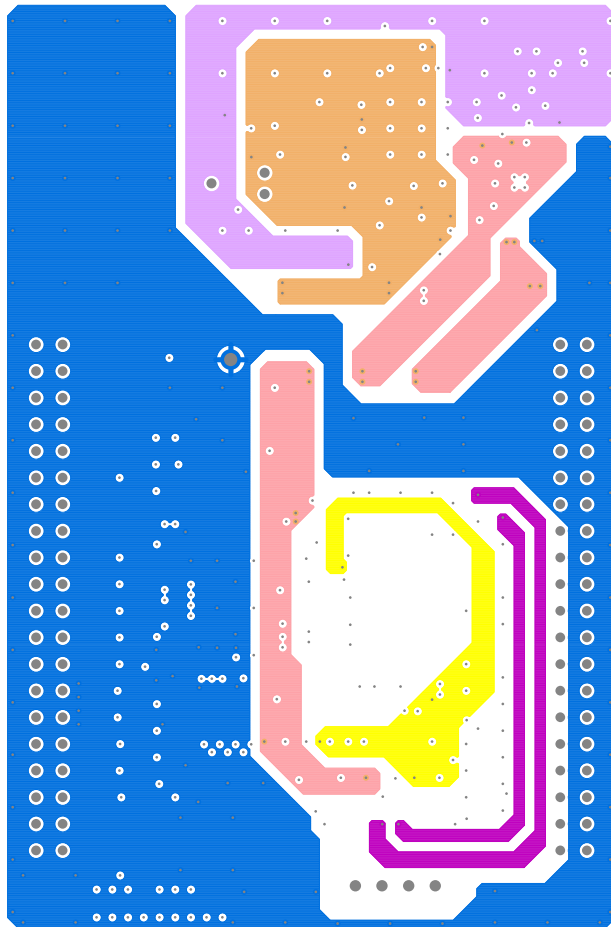
L2



RAA306012 Control Board RL78/G1F EDTION

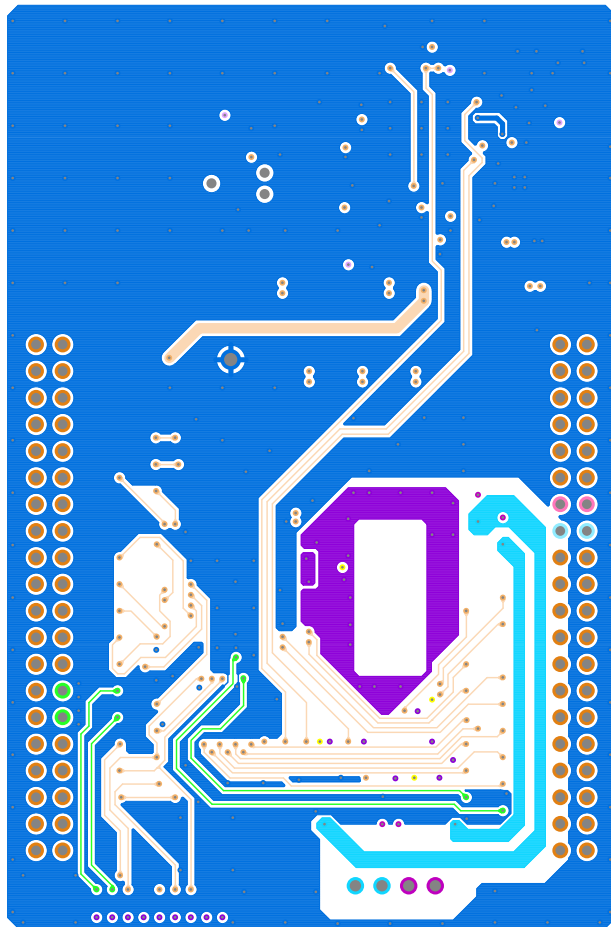
Rev1.02 Board Gerber Data

L3



RAA306012 Control Board RL78/G1F EDTION Rev1.02 Board Gerber Data

L4



RAA306012 Control Board RL78/G1F EDITION Rev1.02 Board Gerber Data

L4R+SILK

