

RA4L1 Group

Renesas Solution Starter Kit Capacitive Touch Evaluation System User's Manual

Renesas RA Family
RA4 Series

All information contained in these materials, including products and product specifications, represents information on the product at the time of publication and is subject to change by Renesas Electronics Corp. without notice. Please review the latest information published by Renesas Electronics Corp. through various means, including the Renesas Electronics Corp. website (<http://www.renesas.com>).

Notice

1. Descriptions of circuits, software and other related information in this document are provided only to illustrate the operation of semiconductor products and application examples. You are fully responsible for the incorporation or any other use of the circuits, software, and information in the design of your product or system. Renesas Electronics disclaims any and all liability for any losses and damages incurred by you or third parties arising from the use of these circuits, software, or information.
2. Renesas Electronics hereby expressly disclaims any warranties against and liability for infringement or any other claims involving patents, copyrights, or other intellectual property rights of third parties, by or arising from the use of Renesas Electronics products or technical information described in this document, including but not limited to, the product data, drawings, charts, programs, algorithms, and application examples.
3. No license, express, implied or otherwise, is granted hereby under any patents, copyrights or other intellectual property rights of Renesas Electronics or others.
4. You shall be responsible for determining what licenses are required from any third parties, and obtaining such licenses for the lawful import, export, manufacture, sales, utilization, distribution or other disposal of any products incorporating Renesas Electronics products, if required.
5. You shall not alter, modify, copy, or reverse engineer any Renesas Electronics product, whether in whole or in part. Renesas Electronics disclaims any and all liability for any losses or damages incurred by you or third parties arising from such alteration, modification, copying or reverse engineering.
6. Renesas Electronics products are classified according to the following two quality grades: "Standard" and "High Quality". The intended applications for each Renesas Electronics product depends on the product's quality grade, as indicated below.
 - "Standard": Computers; office equipment; communications equipment; test and measurement equipment; audio and visual equipment; home electronic appliances; machine tools; personal electronic equipment; industrial robots; etc.
 - "High Quality": Transportation equipment (automobiles, trains, ships, etc.); traffic control (traffic lights); large-scale communication equipment; key financial terminal systems; safety control equipment; etc.
- Unless expressly designated as a high reliability product or a product for harsh environments in a Renesas Electronics data sheet or other Renesas Electronics document, Renesas Electronics products are not intended or authorized for use in products or systems that may pose a direct threat to human life or bodily injury (artificial life support devices or systems; surgical implantations; etc.), or may cause serious property damage (space system; undersea repeaters; nuclear power control systems; aircraft control systems; key plant systems; military equipment; etc.). Renesas Electronics disclaims any and all liability for any damages or losses incurred by you or any third parties arising from the use of any Renesas Electronics product that is inconsistent with any Renesas Electronics data sheet, user's manual or other Renesas Electronics document.
7. No semiconductor product is absolutely secure. Notwithstanding any security measures or features that may be implemented in Renesas Electronics hardware or software products, Renesas Electronics shall have absolutely no liability arising out of any vulnerability or security breach, including but not limited to any unauthorized access to or use of a Renesas Electronics product or a system that uses a Renesas Electronics product. RENESAS ELECTRONICS DOES NOT WARRANT OR GUARANTEE THAT RENESAS ELECTRONICS PRODUCTS, OR ANY SYSTEMS CREATED USING RENESAS ELECTRONICS PRODUCTS WILL BE INVULNERABLE OR FREE FROM CORRUPTION, ATTACK, VIRUSES, INTERFERENCE, HACKING, DATA LOSS OR THEFT, OR OTHER SECURITY INTRUSION ("Vulnerability Issues"). RENESAS ELECTRONICS DISCLAIMS ANY AND ALL RESPONSIBILITY OR LIABILITY ARISING FROM OR RELATED TO ANY VULNERABILITY ISSUES. FURTHERMORE, TO THE EXTENT PERMITTED BY APPLICABLE LAW, RENESAS ELECTRONICS DISCLAIMS ANY AND ALL WARRANTIES, EXPRESS OR IMPLIED, WITH RESPECT TO THIS DOCUMENT AND ANY RELATED OR ACCOMPANYING SOFTWARE OR HARDWARE, INCLUDING BUT NOT LIMITED TO THE IMPLIED WARRANTIES OF MERCHANTABILITY, OR FITNESS FOR A PARTICULAR PURPOSE.
8. When using Renesas Electronics products, refer to the latest product information (data sheets, user's manuals, application notes, "General Notes for Handling and Using Semiconductor Devices" in the reliability handbook, etc.), and ensure that usage conditions are within the ranges specified by Renesas Electronics with respect to maximum ratings, operating power supply voltage range, heat dissipation characteristics, installation, etc. Renesas Electronics disclaims any and all liability for any malfunctions, failure or accident arising out of the use of Renesas Electronics products outside of such specified ranges.
9. Although Renesas Electronics endeavors to improve the quality and reliability of Renesas Electronics products, semiconductor products have specific characteristics, such as the occurrence of failure at a certain rate and malfunctions under certain use conditions. Unless designated as a high reliability product or a product for harsh environments in a Renesas Electronics data sheet or other Renesas Electronics document, Renesas Electronics products are not subject to radiation resistance design. You are responsible for implementing safety measures to guard against the possibility of bodily injury, injury or damage caused by fire, and/or danger to the public in the event of a failure or malfunction of Renesas Electronics products, such as safety design for hardware and software, including but not limited to redundancy, fire control and malfunction prevention, appropriate treatment for aging degradation or any other appropriate measures. Because the evaluation of microcomputer software alone is very difficult and impractical, you are responsible for evaluating the safety of the final products or systems manufactured by you.
10. Please contact a Renesas Electronics sales office for details as to environmental matters such as the environmental compatibility of each Renesas Electronics product. You are responsible for carefully and sufficiently investigating applicable laws and regulations that regulate the inclusion or use of controlled substances, including without limitation, the EU RoHS Directive, and using Renesas Electronics products in compliance with all these applicable laws and regulations. Renesas Electronics disclaims any and all liability for damages or losses occurring as a result of your noncompliance with applicable laws and regulations.
11. Renesas Electronics products and technologies shall not be used for or incorporated into any products or systems whose manufacture, use, or sale is prohibited under any applicable domestic or foreign laws or regulations. You shall comply with any applicable export control laws and regulations promulgated and administered by the governments of any countries asserting jurisdiction over the parties or transactions.
12. It is the responsibility of the buyer or distributor of Renesas Electronics products, or any other party who distributes, disposes of, or otherwise sells or transfers the product to a third party, to notify such third party in advance of the contents and conditions set forth in this document.
13. This document shall not be reprinted, reproduced or duplicated in any form, in whole or in part, without prior written consent of Renesas Electronics.
14. Please contact a Renesas Electronics sales office if you have any questions regarding the information contained in this document or Renesas Electronics products.

(Note1) "Renesas Electronics" as used in this document means Renesas Electronics Corporation and also includes its directly or indirectly controlled subsidiaries.

(Note2) "Renesas Electronics product(s)" means any product developed or manufactured by or for Renesas Electronics.

(Rev.5.0-1 October 2020)

Corporate Headquarters

TOYOSU FORESIA, 3-2-24 Toyosu,
Koto-ku, Tokyo 135-0061, Japan

www.renesas.com

Contact information

For further information on a product, technology, the most up-to-date version of a document, or your nearest sales office, please visit:
www.renesas.com/contact/.

Trademarks

Renesas and the Renesas logo are trademarks of Renesas Electronics Corporation. All trademarks and registered trademarks are the property of their respective owners.

General Precautions in the Handling of Microprocessing Unit and Microcontroller Unit Products

The following usage notes are applicable to all Microprocessing unit and Microcontroller unit products from Renesas. For detailed usage notes on the products covered by this document, refer to the relevant sections of the document as well as any technical updates that have been issued for the products.

1. Precaution against Electrostatic Discharge (ESD)

A strong electrical field, when exposed to a CMOS device, can cause destruction of the gate oxide and ultimately degrade the device operation. Steps must be taken to stop the generation of static electricity as much as possible, and quickly dissipate it when it occurs. Environmental control must be adequate. When it is dry, a humidifier should be used. This is recommended to avoid using insulators that can easily build up static electricity. Semiconductor devices must be stored and transported in an anti-static container, static shielding bag or conductive material. All test and measurement tools including work benches and floors must be grounded. The operator must also be grounded using a wrist strap. Semiconductor devices must not be touched with bare hands. Similar precautions must be taken for printed circuit boards with mounted semiconductor devices.

2. Processing at power-on

The state of the product is undefined at the time when power is supplied. The states of internal circuits in the LSI are indeterminate and the states of register settings and pins are undefined at the time when power is supplied. In a finished product where the reset signal is applied to the external reset pin, the states of pins are not guaranteed from the time when power is supplied until the reset process is completed. In a similar way, the states of pins in a product that is reset by an on-chip power-on reset function are not guaranteed from the time when power is supplied until the power reaches the level at which resetting is specified.

3. Input of signal during power-off state

Do not input signals or an I/O pull-up power supply while the device is powered off. The current injection that results from input of such a signal or I/O pull-up power supply may cause malfunction and the abnormal current that passes in the device at this time may cause degradation of internal elements. Follow the guideline for input signal during power-off state as described in your product documentation.

4. Handling of unused pins

Handle unused pins in accordance with the directions given under handling of unused pins in the manual. The input pins of CMOS products are generally in the high-impedance state. In operation with an unused pin in the open-circuit state, extra electromagnetic noise is induced in the vicinity of the LSI, an associated shoot-through current flows internally, and malfunctions occur due to the false recognition of the pin state as an input signal become possible.

5. Clock signals

After applying a reset, only release the reset line after the operating clock signal becomes stable. When switching the clock signal during program execution, wait until the target clock signal is stabilized. When the clock signal is generated with an external resonator or from an external oscillator during a reset, ensure that the reset line is only released after full stabilization of the clock signal. Additionally, when switching to a clock signal produced with an external resonator or by an external oscillator while program execution is in progress, wait until the target clock signal is stable.

6. Voltage application waveform at input pin

Waveform distortion due to input noise or a reflected wave may cause malfunction. If the input of the CMOS device stays in the area between V_{IL} (Max.) and V_{IH} (Min.) due to noise, for example, the device may malfunction. Take care to prevent chattering noise from entering the device when the input level is fixed, and also in the transition period when the input level passes through the area between V_{IL} (Max.) and V_{IH} (Min.).

7. Prohibition of access to reserved addresses

Access to reserved addresses is prohibited. The reserved addresses are provided for possible future expansion of functions. Do not access these addresses as the correct operation of the LSI is not guaranteed.

8. Differences between products

Before changing from one product to another, for example to a product with a different part number, confirm that the change will not lead to problems. The characteristics of a microprocessing unit or microcontroller unit products in the same group but having a different part number might differ in terms of internal memory capacity, layout pattern, and other factors, which can affect the ranges of electrical characteristics, such as characteristic values, operating margins, immunity to noise, and amount of radiated noise. When changing to a product with a different part number, implement a system-evaluation test for the given product.

How to Use This Manual

1. Purpose and Target Readers

This is a manual for users to understand the outline and hardware functions of the RA4L1 Group Capacitive Touch Evaluation System (RTK0EG0057S01001BJ). This manual is intended for users who use this CPU board. A basic knowledge of electric circuits, logical circuits, and MCUs is necessary in order to use this manual.

Particular attention should be paid to the precautionary notes when using the manual. These notes occur within the body of the text, at the end of each section, and in the Usage Notes section.

The revision history summarizes the locations of revisions and additions. It does not list all revisions. Refer to the text of the manual for details.

Renesas RTK0EG0057S01001BJ Disclaimer

By using this RTK0EG0057S01001BJ, the User accepts the following terms, which are in addition to, and control in the event of disagreement, with Renesas' General Terms and Conditions available at <https://www.renesas.com/en-us/legal/disclaimer.html>.

The RTK0EG0057S01001BJ is not guaranteed to be error free, and the entire risk as to the results and performance of the RTK0EG0057S01001BJ is assumed by the User. The RTK0EG0057S01001BJ is provided by Renesas on an "as is" basis without warranty of any kind whether express or implied, including but not limited to the implied warranties of good workmanship, fitness for a particular purpose, title, merchantability, and non-infringement of intellectual property rights. Renesas expressly disclaims any implied warranty.

Renesas does not consider the RTK0EG0057S01001BJ to be a finished product and therefore the RTK0EG0057S01001BJ may not comply with some requirements applicable to finished products, including, but not limited to recycling, restricted substances and electromagnetic compatibility regulations. Refer to Certifications section, for information about certifications and compliance information for the RTK0EG0057S01001BJ. It is the kit User's responsibility to make sure the kit meets any local requirements applicable to their region.

Renesas or its affiliates shall in no event be liable for any loss of profit, loss of data, loss of contract, loss of business, damage to reputation or goodwill, any economic loss, any reprogramming or recall costs (whether the foregoing losses are direct or indirect) nor shall Renesas or its affiliates be liable for any other direct or indirect special, incidental or consequential damages arising out of or in relation to the use of this RTK0EG0057S01001BJ, even if Renesas or its affiliates have been advised of the possibility of such damages.

Renesas has used reasonable care in preparing the information included in this document, but Renesas does not warrant that such information is error free nor does Renesas guarantee an exact match for every application or parameter to part numbers designated by other vendors listed herein. The information provided in this document is intended solely to enable the use of Renesas products. No express or implied license to any intellectual property right is granted by this document or in connection with the sale of Renesas products. Renesas reserves the right to make changes to specifications and product descriptions at any time without notice. Renesas assumes no liability for any damages incurred by you resulting from errors in or omissions from the information included herein. Renesas cannot verify, and assumes no liability for, the accuracy of information available on another company's website.

Precautions

This Evaluation Kit is only intended for use in a laboratory environment under ambient temperature and humidity conditions. A safe separation distance should be used between this and any sensitive equipment. Its use outside the laboratory, classroom, study area, or similar such area invalidates conformity with the protection requirements of the Electromagnetic Compatibility Directive and could lead to prosecution.

The product generates, uses, and can radiate radio frequency energy and may cause harmful interference to radio communications. There is no guarantee that interference will not occur in a particular installation. If this equipment causes harmful interference to radio or television reception, which can be determined by turning the equipment off or on, you are encouraged to try to correct the interference by one or more of the following measures:

- Ensure attached cables do not lie across the equipment.
- Reorient the receiving antenna.
- Increase the distance between the equipment and the receiver.
- Connect the equipment into an outlet on a circuit different from that which the receiver is connected.
- Power down the equipment when not in use.
- Consult the dealer or an experienced radio/TV technician for help.

Note: It is recommended that wherever possible shielded interface cables are used.

The product is potentially susceptible to certain EMC phenomena. To mitigate against them it is recommended that the following measures be undertaken:

- The user is advised that mobile phones should not be used within 10 m of the product when in use.
- The user is advised to take ESD precautions when handling the equipment.

The Evaluation Kit does not represent an ideal reference design for an end product and does not fulfill the regulatory standards for an end product.

Safety Items

Definitions of Symbols

A variety of symbols are used in this document and on the product itself to prevent in advance danger to you the user or any third parties and to prevent in advance damage to any physical property.

This section, Safety Items, presents these symbols and their meanings. It also presents safety notes to assure that this produce is used safely and correctly.

This product should only be used after fully understanding the material presented in this section.



Warning

Warning items indicate things that, if not avoided, could lead to death or serious injury.



Caution

Caution items indicate both latent dangers that can lead to minor or moderately severe injury and latent dangers that can lead to property damage if not avoided.

In addition to the above two markings, the following are displayed at the same time if appropriate.

[Important] Indicates a point that can lead to equipment failure or malfunction if incorrectly set when setting up this product.

A triangular mark \triangle indicates a warning or caution.

Example:



Electrical Shock Hazard

The



mark indicates something that is forbidden.

Example: :



Do Not Disassemble

Warning



Warning

Handling related warnings:



Do not disassemble or modify this product. Renesas does not guarantee this product if it has been disassembled or modified.

The power supply for this product can be selected to be either the USB bus or a DC jack. A jumper is used to select the power supply.

If, during either use or storage of this product, any abnormality in the product itself (including abnormal odors, heating, color changes, or shape changes to the product itself) are observed, disconnect the USB cable and power supply cable immediately.

Installation:



Do not install this equipment in a location that has a high humidity or where water or other fluids could get on it. This equipment may be damaged if water or other fluids could get on it.

Ambient temperature:



The upper limit for the ambient temperature under which this product may be used is 35°C.

This maximum rated ambient temperature must not be exceeded.

Caution

Caution

Handling related cautions:

Use the antistatic band. Failure to do so could cause malfunction or unstable motion or be damaged Internal components.

This product must be handled carefully. Do not drop, knock over, or apply any strong mechanical shocks to this product.



When connecting or disconnecting cables from this product, hold the parts of the cable intended to be grasped (such as the plugs) and avoid putting stress on the cable. Do not pull on this product when it is connected to a communications cable or user system connection cable. Stress on the cable can result in internal disconnections in the cable. When connecting a cable to a connector, be careful not to insert the plug in the reverse orientation. Reverse insertion can result in damage to this product itself or to connected equipment.

The power supply for this product can be selected from two options (the DC jack or the USB cable). The jumper JP4 (on the top side of the circuit board) is used to select the power supply. Always check the jumper position before connecting a power source. An incorrect jumper position can result in damage to this product or the PC connected over the USB cable.

Do not handle this product with wet hands. This can lead to failure of the product.

Transport methods:



When transporting this product, use the product's packing box and cushioning materials and ship it with precision equipment handling. If the products packing is insufficient, it may be damaged during shipping.

If it must be transported by some other method, pack it carefully as precision equipment. When packing this product, always use the antistatic pouch included with this product. If some other pouch is used, damage to the product may be caused by electrostatic discharge.

Abnormal operation:



If operation of this product becomes abnormal due to interference from, for example, external noise, apply the following procedure.

1. Turn off the power.
2. Wait 10 seconds and then turn the power back on.

Disposal:



When disposing of this product, handle it as industrial waste according to all applicable laws.



European Union regulatory notices:

The WEEE (Waste Electrical and Electronic Equipment) regulations put responsibilities on producers for the collection and recycling or disposal of electrical and electronic waste. Return of WEEE under these regulations is applicable in the European Union only. This equipment (including all accessories) is not intended for household use. After use the equipment cannot be disposed of as household waste, and the WEEE must be treated, recycled and disposed of in an environmentally sound manner. Renesas Electronics Europe GmbH can take back end of life equipment, register for this service at "<http://www.renesas.eu/weee>".

Electromagnetic Environment



Electromagnetic Environment



- This product generates electromagnetic emissions in an industrial environment. Use in a residential environment may affect other equipment.
- This product requires special EMC precautions and should be used in accordance with the EMC information provided below.

EMI: Electro Magnetic Interference

Standard		Level	Guidance for EMC protection
Test Item	EN 55011 :2016/A1:2017/A2:2021	Group1 Class A	This product has no intentional external emissions, but internal RF emissions may affect nearby electromagnetically sensitive electronic equipment.
Radiated Emissions			
Conducted Emissions			

EMS: Electro Magnetic Susceptibility

Standard		Level	Guidance for EMC protection
Radio Frequency Electromagnetic Field	EN IEC 61000-4-3:2020	A* ¹	This product is intended for use in electromagnetic environments in industrial settings. The user of the product should pay particular attention to the following electromagnetic immunity. <ul style="list-style-type: none"> • Power supply quality • Protection against static electricity • Protection against external high-power radio waves • Protection against external magnetic fields
Electrical Fast Transient / Burst	EN 61000-4-4:2012	B* ²	
Surge	EN 61000-4-5 :2014/A1:2017	B* ³	
Conducted Disturbance, Induced by Radio Frequency	EN 61000-4-6:2014	A* ⁴	
Power Frequency Magnetic Field	EN 61000-4-8:2010	A* ⁵	
Voltage Dips and Interruptions	EN IEC 61000-4-11:2020	B or C* ⁶	

*1 Test Condition of Radio Frequency Electromagnetic Field

Test Level	Dwell Time	Modulation	Frequency Step	Antenna Polarization	Result
3V/m (80MHz - 1.0GHz)	1.0sec	1kHz AM 80%	1.0%	Horizontal / Vertical	Pass
3V/m (1.4GHz – 6.0GHz)					Pass

*2 Test Condition of Electrical Fast Transient / Burst

Test Level	Wave Form	Repetition Frequency	Testing Duration	Result
±1.0kV	Rise time: 5.0nsec Pulse Duration: 50nsec	5kHz	60sec	Pass
		100kHz		Pass

*3 Test Condition of Surge

Test Level	Wave form Specification	Phase Angle	Result
±0.5kV	Front time: 1.2 / 8.0 µsec Time to half value: 50 / 20 µsec	0°, 90°, 180°, 270°	Pass
			Pass

*4 Test condition of Conducted Disturbance, Induced by Radio Frequency

Test Level	Dwell Time	Modulation	Frequency Step	Result
3V (0.15MHz – 80MHz)	1.0 sec	1kHz AM 80%	1.0%	Pass

*5 Test Condition of Power Frequency Magnetic Field

Test Level	Applied Power Frequency	Test Duration	Result
3A/m (rms)	50Hz	60sec	Pass
	60Hz		Pass

*6 Test Condition of Voltage Dips and Interruptions

Test Item	Test Level	Duration	Phase Angle	Result
Voltage Dips	0%	0.5 cycles	0°, 180°	Pass
		1.0 cycles		Pass
	70%	25 cycles		Pass
Voltage Interruptions	0%	250 cycles		Pass

Renesas RA Family

RA4L1 Group Capacitive Touch Evaluation System User's Manual

Contents

1. Overview.....	3
2. Product Configuration.....	4
3. Product Ordering	5
4. Hardware Default Settings.....	6
4.1 Switch and Jumper Default Settings	6
5. CPU Board Layout.....	7
5.1 Block Diagram	7
5.2 Power Supply	8
5.3 Clock Circuit	9
5.4 Reset Circuit / Debug Interface	10
5.5 Push Switches / LEDs.....	11
5.6 Pmod Interface	12
5.7 Application Board Interface	14
6. Capacitive Touch Application Board.....	15
6.1 Signal Assignments.....	15
7. Certifications.....	17
7.1 European Union regulatory notices	17
8. Website and Support.....	18
Revision History	19

Figures

Figure 1 RA4L1 Cap Touch CPU Board	4
Figure 2 Capacitive Touch Application Board	5
Figure 3 CPU Board and Application Board Connection.....	5
Figure 4 Switch Layout	6
Figure 5 CPU Board Block Diagram.....	7
Figure 6 Power Supply System Block Diagram.....	8
Figure 7 Clock Circuit	9
Figure 8 Reset Circuit / Debug Interface	10
Figure 9 Push Switch and LED Circuits.....	11
Figure 10 PMOD1 Interface Switching Circuit.....	13
Figure 11 Capacitive Touch Application Board (connected to RA4L1 Cap Touch CPU board)	15

Tables

Table 1 Default Board Settings.....	6
Table 2 Power Source Jumper Settings	8
Table 3 Clock Specifications	9
Table 4 Function Selection Switch Specifications (SW4/SW5).....	10
Table 5 Push Switch Specifications.....	11
Table 6 LED Specifications	11
Table 7 PMOD1 Pin Assignments (Default Type 6A).....	12
Table 8 PMOD2 Pin Assignments	12
Table 9 Application Board Connector (CN1)	14
Table 10 Application Board Connector (CN2).....	14
Table 11 Application Header (CN1).....	15
Table 12 Application Header (CN2).....	16
Table 13 LED Matrix Table.....	16
Table 14 LED Status and Pin Output Settings	16

1. Overview

The RA4L1 Group Capacitive Touch Evaluation System (RTK0EG0057S01001BJ) is a kit created for evaluating the Renesas Electronics RA4L1 Group's Capacitive Touch Sensors (CTSU2).

RTK0EG0057S01001BJ consists of two boards. The RA4L1 Cap Touch CPU board is equipped with the RA4L1 MCU which embeds the CTSU2. The Capacitive Touch Application Board is equipped with self-capacitance touch buttons, wheel and slider touch electrodes, and LEDs.

Note: The functional name of the RA4L1 Group capacitive touch sensor is "CTSU2," but is referred to as "CTSU" in this document.

The main functions of the RA4L1 Cap Touch CPU board are as follows:

Renesas RA4L1 Group

- R7FA4L1BD4CFP
- 100-pin LQFP package
- 80 MHz Cortex®-M33 core with built-in Arm® MPU (Armv8-M architecture)
- 64KB SRAM, 512KB Code Flash, 8KB Data Flash
- 12-channel capacitive touch sensor (CTSU) terminal

Connectivity

- USB Type-C with J-Link OB (on-board debugging function)
- 10-pin SWD interface for connecting external debugger or programmer
- Pmod™ Type 2A/Type 3A/Type 6A: 1 pc. (Type 6A is default state)
- Pmod™ Type 2A: 1 pc.
- Connectors (sockets) for connecting application board
 - GPIO interface: 2.54mm pitch, 2 rows, 16 pins x 1pc.
 - CTSU interface: 2.54mm pitch, 2 rows, 40 pins x 1pc.

Multi-clock sources

- Main clock: on-chip oscillator / 16 MHz ceramic resonator (option)
- Subclock: 32.768KHz crystal resonator (option)

Board controller switches

- Board power supply source selection jumper
- MCU reset push switch
- MCU boot selection slide switch
- J-Link OB reset slider switch

Operating voltage

- 3.3V to 5.0V
- Power supply connector (5.5 x 2.1mm center plus DC jack): 3.3V to 5.0V
- USB bus power: 5V

Other functions

- MCU current measurement jumper
- User push switches: 2
- User LEDs: 2

The main functions of the Capacitive Touch Application Board are as listed below:

- Self-capacitance detection touch electrodes
 - Buttons: 3
 - Wheels (4-electrode configuration): 1
 - Sliders (5-electrode configuration): 1
- LEDs: 16
- Connectors for connecting Renesas MCU Cap Touch CPU board (pin headers)
 - GPIO interface: 2.54mm pitch, 2 rows, 16 pins: 1
 - CTSU interface : 2.54mm pitch, 2 rows, 40 pins: 1
- Overlay panel
 - 2mm-thick acrylic panel

2. Product Configuration

This kit consists of the two following boards, CN1 and CN2, which are connected to each other as shown in Figure 3.

1. RA4L1 Cap Touch CPU Board (RTK0EG0056C01001BJ): 1
2. Capacitive Touch Application Board (RTK0EG0019B01002BJ): 1

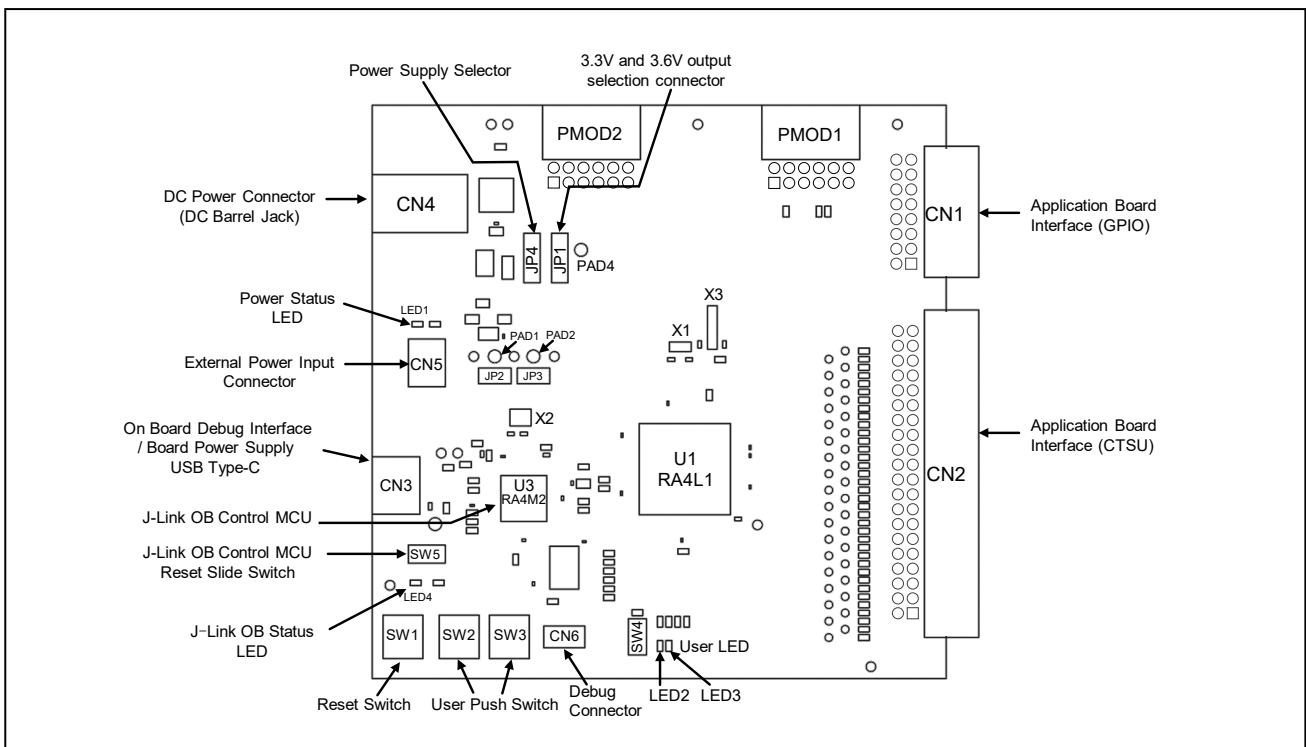


Figure 1 RA4L1 Cap Touch CPU Board

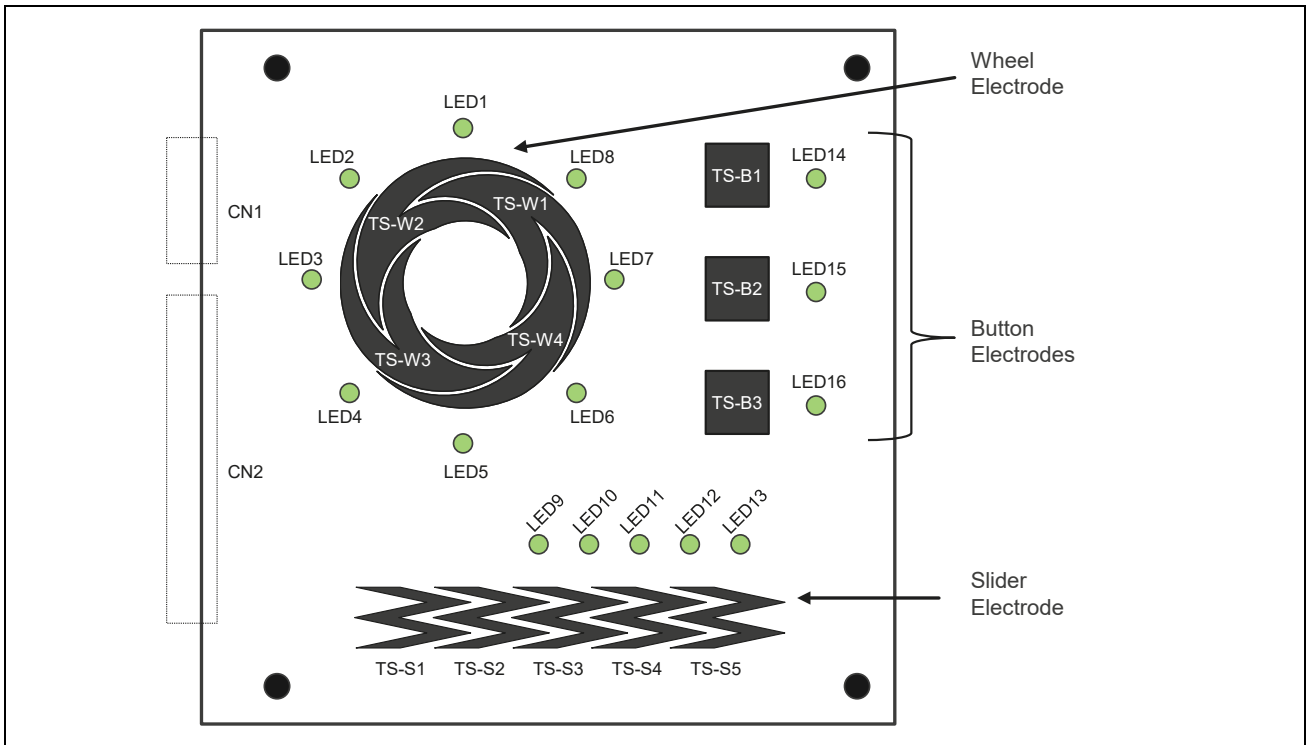


Figure 2 Capacitive Touch Application Board

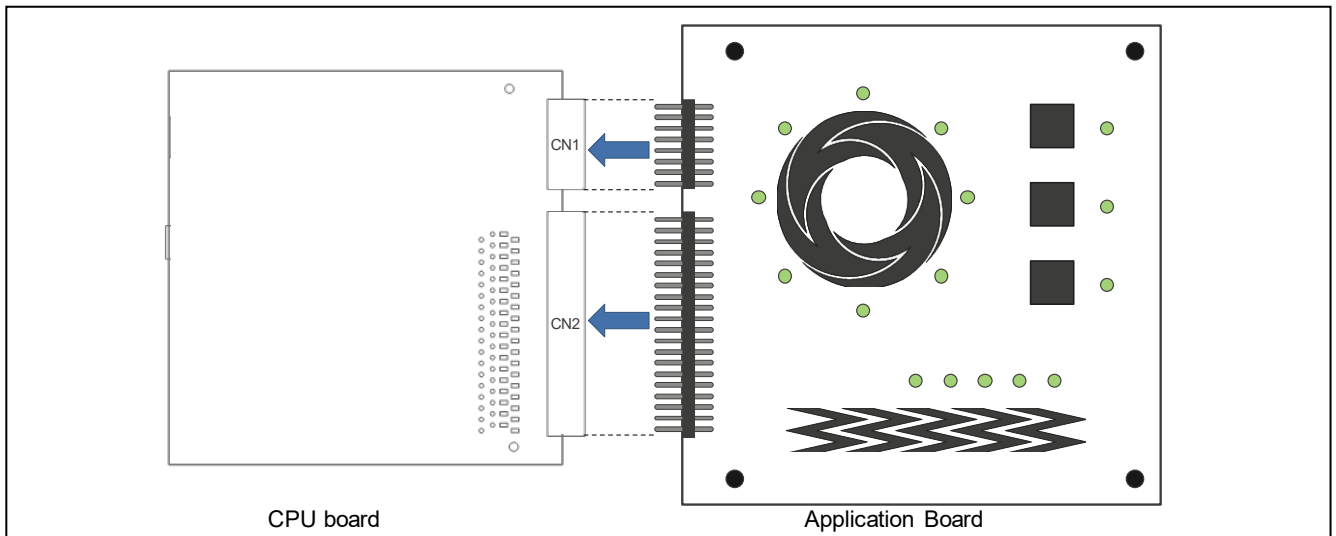


Figure 3 CPU Board and Application Board Connection

3. Product Ordering

- RA4L1 MCU Group Capacitive Touch Evaluation System part number for ordering:
 RTK0EG0057S01001BJ

Note: The underlined character in the orderable part number indicates the kit version.

- RA4L1 Cap Touch CPU Board dimensions: 89 mm (width) × 89 mm (length)
- Application board dimensions: 110 mm (width) × 110 mm (length)

4. Hardware Default Settings

This product consists of two types of boards: the CPU board and the application board. For details regarding each board, refer to 5 Overview and 6 Capacitive Touch Application Board.

4.1 Switch and Jumper Default Settings

Only the CPU board needs to be initialized.

Table 1 Default Board Settings lists the initial values for the RA4L1 Cap Touch CPU board. Please initialize the settings as necessary.

When changing the hardware settings, such as switches and jumpers, make sure the board power is turned off.

Table 1 Default Board Settings

Reference	Functional Overview	Default Setting	Detailed Description
JP4	Selects Input power supply (USB or DC jack)	1-2 pins: closed USB power supply	5.2 Power Supply
SW4	Selects RA4L1 pin (MD/P201) setting (H or L)	1-2 pins: closed "H" state MCU internal pull-up	5.4 Reset Circuit / Debug Interface
SW5	Selects RA4M2 (J-Link OB MCU) pin (RES) setting (H or L)	1-2 pins: closed "H" state J-Link OB operation ON	

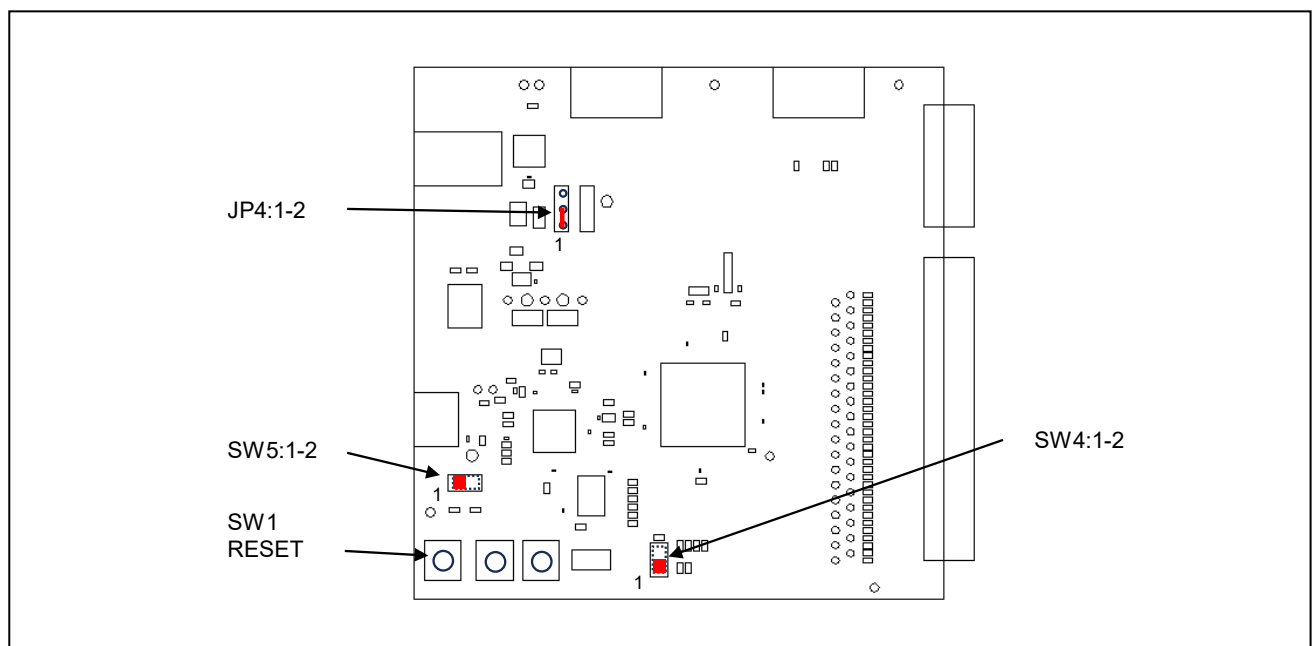


Figure 4 Switch Layout

5. CPU Board Layout

This section describes the RA4L1 Cap Touch CPU Board (RTK0EG0056C01001BJ).

5.1 Block Diagram

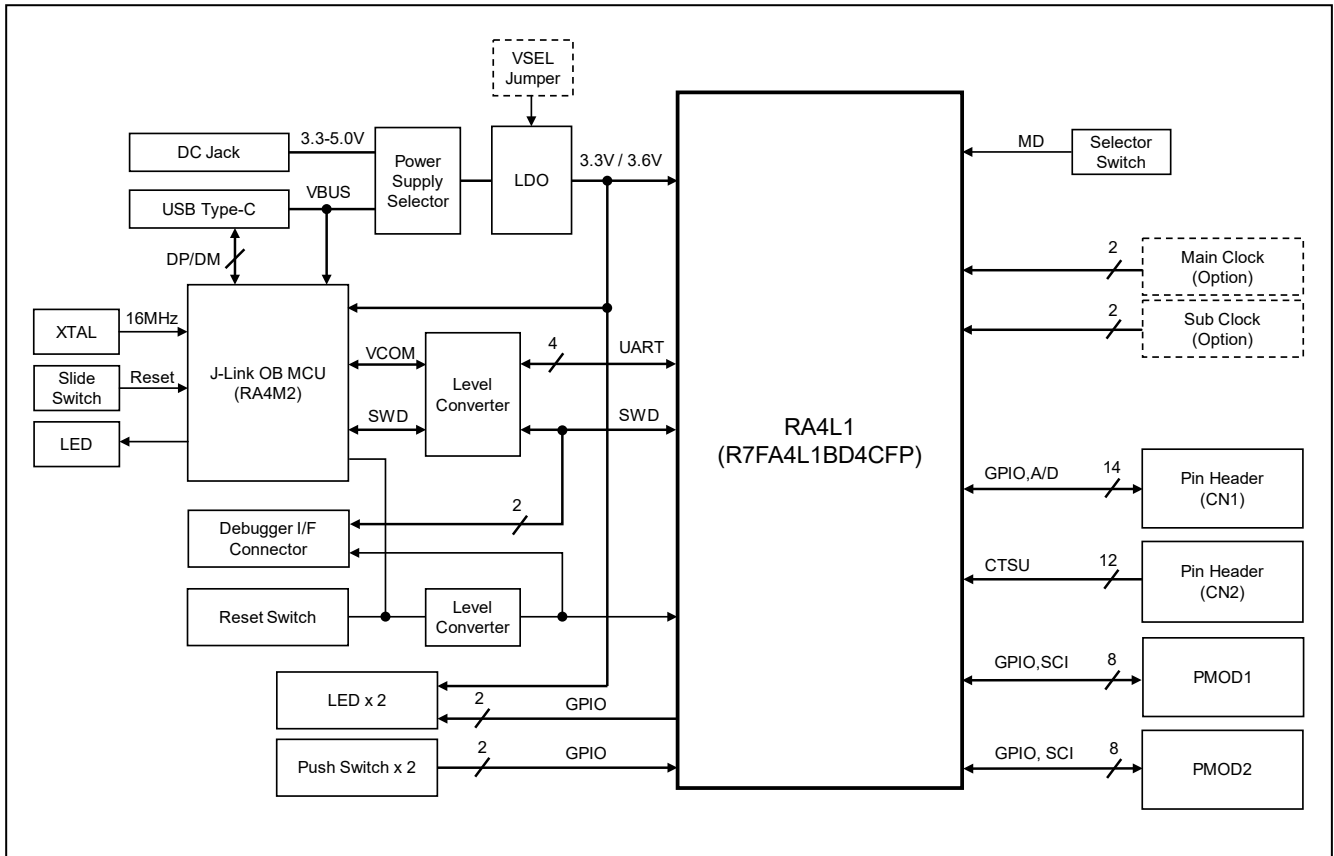


Figure 5 CPU Board Block Diagram

5.2 Power Supply

The user can select to have power supplied via USB or DC jack (2.1mm center plus).

Table 2 Power Source Jumper Settings

Reference	Jumper Setting	Default Setting (X)	Description
JP4	Shorted Pin 1-2	X	Selects USB bus power
	Shorted Pin 2-3		Selects DC jack (CN4)
JP1 / PAD4 (Note 1)	Shorted Pin 1-2	X	Supplies LDO output 3.3V
	Shorted Pin 2-3		Supplies LDO output 3.6V
JP2 / PAD1 (Note 1)	Shorted Pin 1-2	X	Supplies LDO output to the MCU
	Open		Cuts off LDO output For power supply to MCU from external (CN5)
JP3 / PAD2 (Note 1)	Shorted Pin 1-2	X	Supplies board power source to MCU
	Open		For measuring MCU current consumption

Note 1: Jumper (JP1, 2, 3) components are not installed, and the default state is realized by Short-PAD (PAD4, 1, 2).

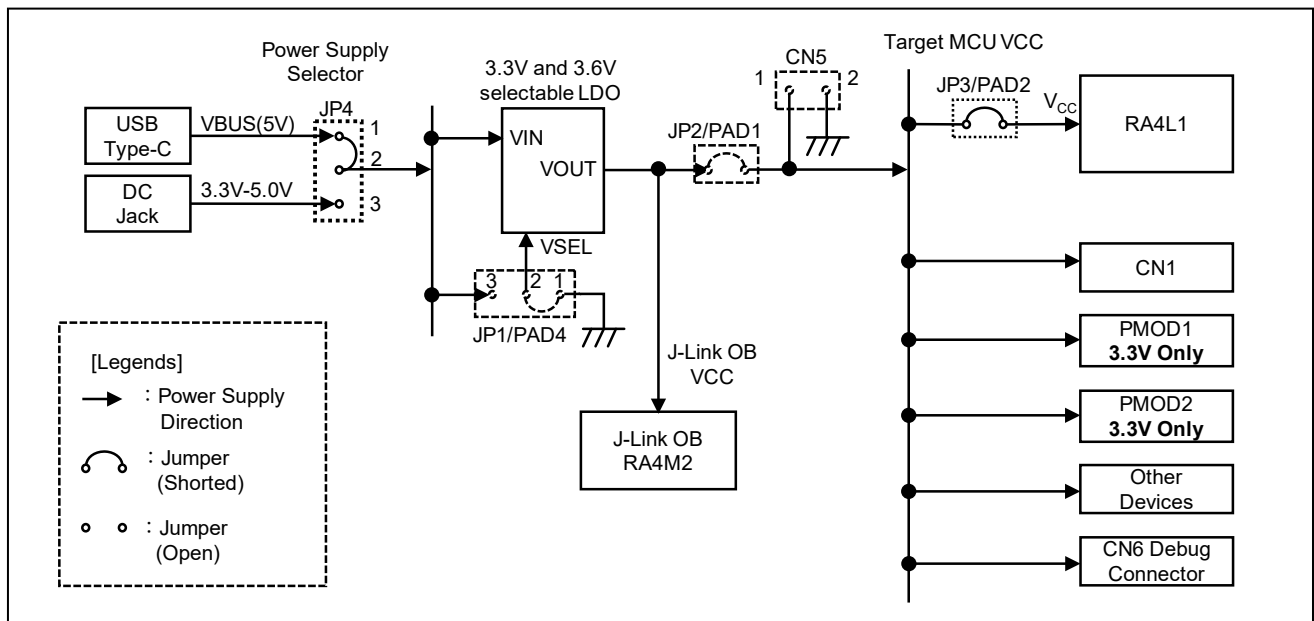


Figure 6 Power Supply System Block Diagram

5.3 Clock Circuit

The CPU board is not equipped with an external clock by default. The software programmed to the board when shipped operates on the RA4L1 high speed on-chip oscillator (HOCO).

Table 3 Clock Specifications

Reference	Function	Default State	Frequency	Package
X1	Main clock (CSTNE16M0V530000R0)	Not mounted	16MHz	3.20mm x 1.30mm SMD
X2	Sub clock (SSP-T7-F-7p)	Not mounted	32.768kHz	6.70mm x 1.50mm SMD

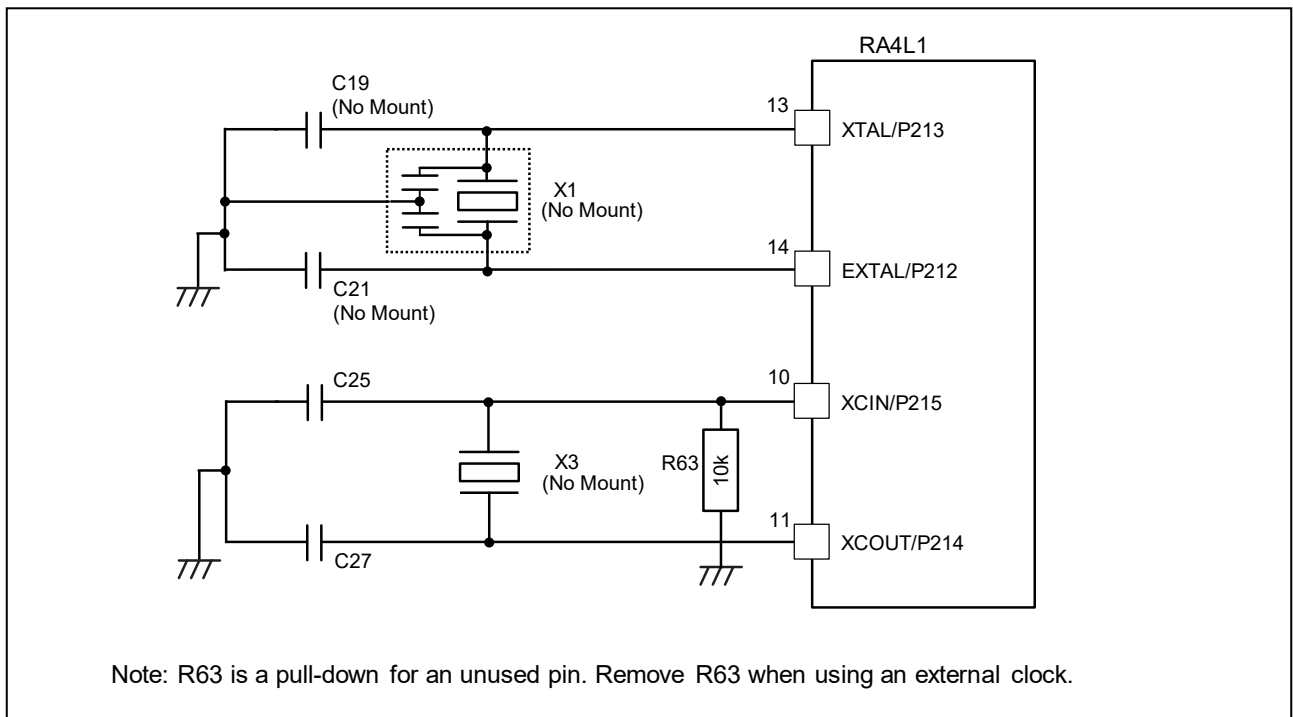


Figure 7 Clock Circuit

5.4 Reset Circuit / Debug Interface

This CPU board can reset the RA4L1 with the push switch (SW1).

The RA4L1 can be debugged with an emulator via J-Link OB or the debug connector (CN6).

When the MD pin is set to high (“H”), the RA4L1 operates in single-chip mode and SWD boot mode, and when the MD pin is set to low (“L”), the RA4L1 operates in SCI boot and USB boot modes. All boot modes, other than USB boot, can be used on this board.

When using an emulator connected to the debug connector (CN6), stop the J-Link OB with SW5.

Table 4 Function Selection Switch Specifications (SW4/SW5)

Reference	Position	Default Setting (X)	Function
SW4	1-2 Shorted	X	RA4L1: MD/P201 “H” (RA4L1 internal pull-up)
	2-3 Shorted		RA4L1: MD/P201 “L” (pull-down via board)
SW5	1-2 Shorted	X	RA4M2: RES “H” (when using J-Link OB)
	2-3 Shorted		RA4M2: RES “L” (when J-Link OB is stopped)

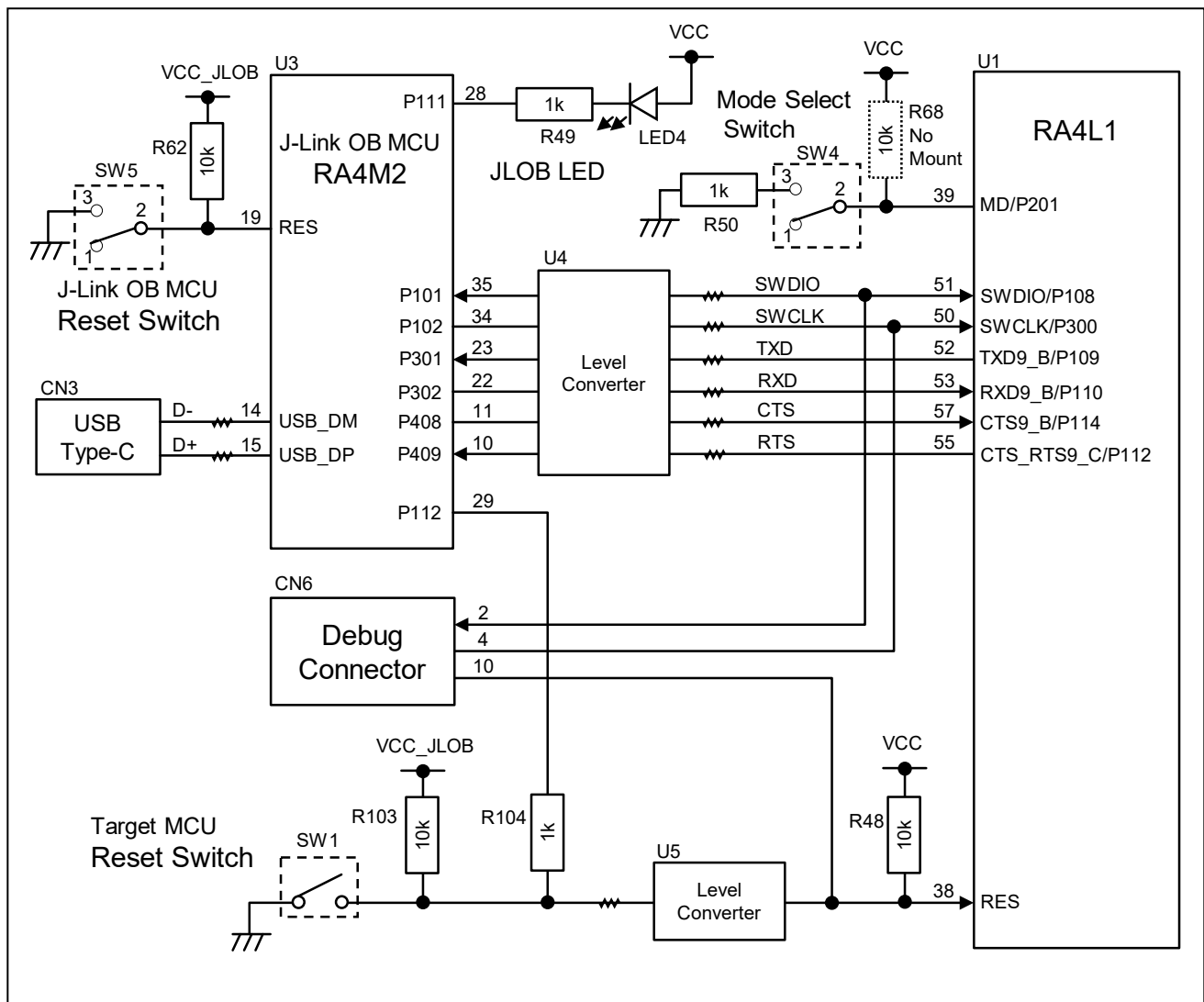


Figure 8 Reset Circuit / Debug Interface

5.5 Push Switches / LEDs

Table 5 Push Switch Specifications

Reference	Connection	Function
SW1 (Reset)	RES#	Resets microcontroller RA4L1
SW2	P107	User controllable switch
SW3	P106	User controllable switch

Table 6 LED Specifications

Reference	Connection	Function	Color
LED1 (Power)	VCC	Power supply status	Red
LED2	P601	User controllable LED	Green
LED3	P600	User controllable LED	Yellow

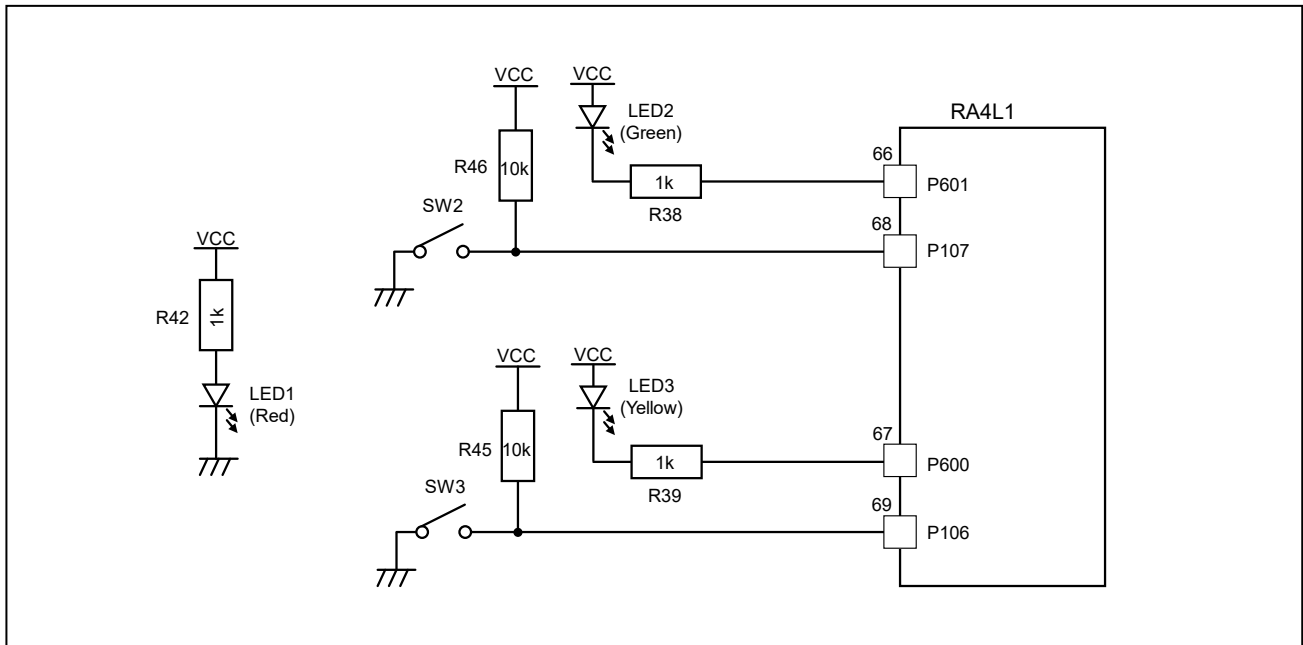


Figure 9 Push Switch and LED Circuits

5.6 Pmod Interface

This CPU board is equipped with two Pmod interface connectors (PMOD1 and PMOD2).

PMOD1 can be used as Pmod Type 2A, Type 3A, or Type 6A. The selection can be changed by mounting a 0Ω resistor (Figure 10). The default setting is Type 6A.

PMOD2 can be used as Pmod Type 2A.

When connecting the Pmod module, check the pin positions to make sure they are not misaligned or inserted backwards. Such issues can cause damage to the device.

Table 7 PMOD1 Pin Assignments (Default Type 6A)

Pin	Function (Type)			MCU Port
	2A	3A	6A	
1	CS	CTS	NC	[2A,3A] P402/CTS_RTS1_A/SS1_A [6A] (Unrelated)
2	MOSI	TXD	NC	[2A,3A] P400/TXD1_A/SDA1_A/MOSI1_A [6A] (Unrelated)
3	MISO	RXD	SCL	[2A,3A,6A] P401/RXD1_A/SCL1_A/MISO1_A
4	SCK	RTS	SDA	[2A,3A] P403/SCK1_A [6A] P400/TXD1_A/SDA1_A/MOSI1_A
5	GND			—
6	VCC			—
7	GPIO			P404
8	GPIO			P405
9	GPIO			P406
10	GPIO			P700
11	GND			—
12	VCC			—

Table 8 PMOD2 Pin Assignments

Pin	Function (Type)			MCU Port
	2A	3A	6A	
1	CS	Not supported		[2A] P204/SSLA0_A
2	MOSI			[2A] P211/MOSIA_A
3	MISO			[2A] P210/MISOA_A
4	SCK			[2A] P209/RSPCKA_A
5	GND			—
6	VCC			—
7	GPIO			P205
8	GPIO			P206
9	GPIO			P207
10	GPIO			P208
11	GND			—
12	VCC			—

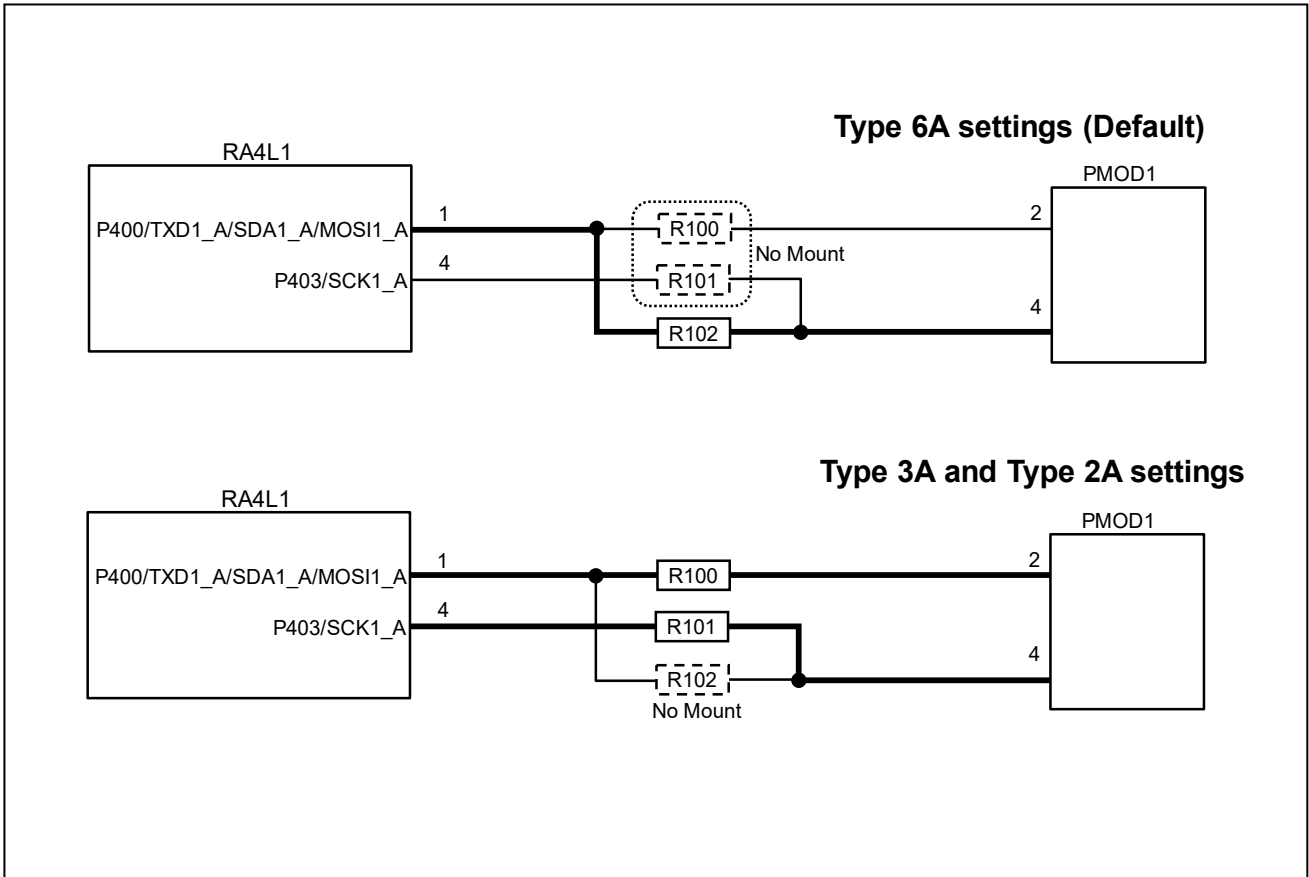


Figure 10 PMOD1 Interface Switching Circuit

5.7 Application Board Interface

Application board headers CN1 and CN2 are interfaces for user board connections.

CN1 is for GPIO pins. Refer to the MCU user's hardware manual for details on peripheral functions not listed here.

CN2 is mainly used for CTSU pins. GPIO pins should be used fixed to low level by software.

Table 9 Application Board Connector (CN1)

CN1		MCU		CN1		MCU	
Pin	Port	Peripheral	Pin	Port	Peripheral	Pin	Port
16	VSS (GND)	—	15	VCC	—		
14	P407	—	13	P408	—		
12	P409	—	11	P410	—		
10	P411	—	9	P000	—		
8	P001	—	7	P002	—		
6	P003	—	5	P004	—		
4	P513	—	3	P512	—		
2	P511	—	1	P510	—		

Table 10 Application Board Connector (CN2)

CN2		MCU		CN2		MCU	
Pin	Port	CTSU	Pin	Port	CTSU	Pin	Port
40	—	—	39	—	—		
38	—	—	37	—	—		
36	P509	TS11	35	— (GND)	—		
34	P508	TS10	33	— (GND)	—		
32	— (GND)	—	31	P507	TS9		
30	— (GND)	—	29	— (GND)	—		
28	P506	TS8	27	— (GND)	—		
26	— (GND)	—	25	— (GND)	—		
24	— (GND)	—	23	— (GND)	—		
22	P504	TS7	21	— (GND)	—		
20	— (GND)	—	19	— (GND)	—		
18	— (GND)	—	17	— (GND)	—		
16	— (GND)	—	15	— (GND)	—		
14	— (GND)	—	13	— (GND)	—		
12	— (GND)	—	11	— (GND)	—		
10	— (GND)	—	9	P503	TS6		
8	P502	TS5	7	P501	TS4		
6	P100	TS3	5	P101	TS2		
4	P102	TS1	3	P103	TS0		
2	— (GND)	—	1	— (GND)	—		

— : Not Applicable

6. Capacitive Touch Application Board

The Capacitive Touch Application Board (RTK0EG0019B01002BJ) features self-capacitance method touch buttons, wheel and slider electrodes, and LEDs.

6.1 Signal Assignments

The following shows the signal assignments when the RA4L1 Cap Touch CPU board is connected.

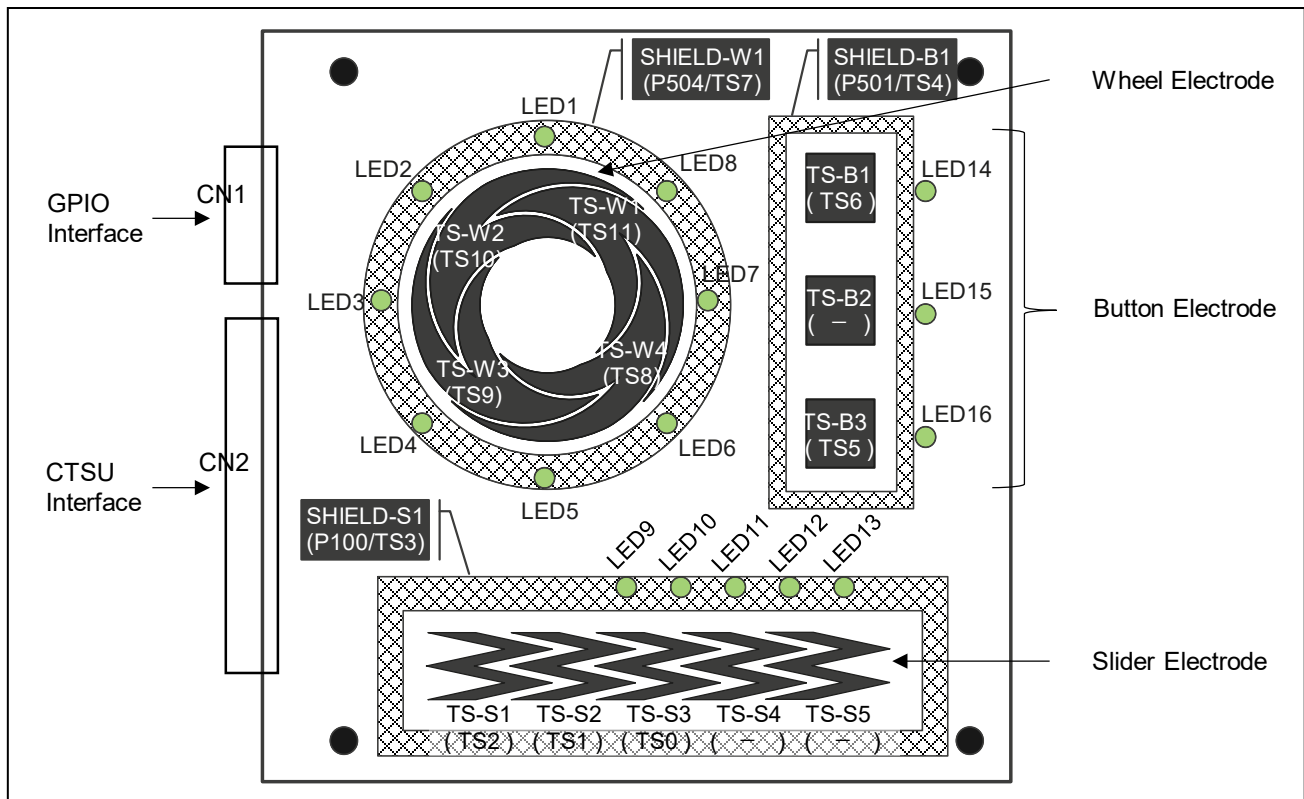


Figure 11 Capacitive Touch Application Board (connected to RA4L1 Cap Touch CPU board)

Table 11 Application Header (CN1)

Pin	Function	RA4L1	Pin	Function	RA4L1
15	LED_VCC	VCC	16	LED_VSS (GND)	VSS (GND)
13	LED_ROW0	P408	14	LED_ROW1	P407
11	LED_ROW2	P410	12	LED_ROW3	P409
9	—	P000	10	—	P411
7	LED_COL3	P002	8	—	P001
5	LED_COL1	P004	6	LED_COL2	P003
3	—	P512	4	LED_COL0	P513
1	—	P510	2	—	P511

— : Not Applicable

Table 12 Application Header (CN2)

Pin	Touch Electrode	CTSU (RA4L1) (Note1)	Pin	Touch Electrode	CTSU (RA4L1) (Note1)
39	—	—	40	—	—
37	—	—	38	—	—
35	—	—	36	TS-W1	TS11
33	—	—	34	TS-W2	TS10
31	TS-W3	TS9	32	—	—
29	—	—	30	—	—
27	—	—	28	TS-W4	TS8
25	—	—	26	—	—
23	—	—	24	—	—
21	—	—	22	SHIELD-W1	TS7 (Note2)
19	—	—	20	—	—
17	—	—	18	—	—
15	—	—	16	—	—
13	—	—	14	—	—
11	—	—	12	—	—
9	TS-B1	TS6	10	TS-B2	—
7	SHIELD-B1	TS4 (Note2)	8	TS-B3	TS5
5	TS-S1	TS2	6	SHIELD-S1	TS3 (Note2)
3	TS-S3	TS0	4	TS-S2	TS1
1	TS-S5	—	2	TS-S4	—

— : Not Applicable

Note 1: This shows the TS pins of the RA4L1 when the RA4L1 Cap Touch CPU board is connected.

“—” does not always indicate a free pin. Refer to the CPU board connectors (Table 10) for details.

Note 2: SHIELD-S1, SHIELD-W1, and SHIELD-B1 are shield electrodes. Set these to Low output via software.

Table 13 LED Matrix Table

	LED_COL0	LED_COL1	LED_COL2	LED_COL3
LED_ROW0	LED1	LED5	LED13	LED9
LED_ROW1	LED2	LED6	LED14	LED10
LED_ROW2	LED3	LED7	LED15	LED11
LED_ROW3	LED4	LED8	LED16	LED12

Table 14 LED Status and Pin Output Settings

LED	LED_ROWn Connection Pin	LED_COLn Connection Pin
On	Low	High
Off	High	Low

Note : n=0~3

7. Certifications

7.1 European Union regulatory notices

This product complies with the following EU Directives. (These directives are only valid in the European Union.)

CE Certifications:

- Electromagnetic Compatibility (EMC) Directive 2014/30/EU
EN IEC 61326-1: 2021 Group1 Class A

WARNING: This is a Class A product. This equipment can cause radio frequency noise when used in the residential area. In such cases, the user/operator of the equipment may be required to take appropriate countermeasures under his responsibility.

- Information for traceability
 - Authorised representative
Name: Renesas Electronics Corporation
Address: Toyosu Foresia, 3-2-24, Toyosu, Koto-ku, Tokyo 135-0061, Japan
 - Manufacturer
Name: Renesas Electronics Corporation
Address: Toyosu Foresia, 3-2-24, Toyosu, Koto-ku, Tokyo 135-0061, Japan
 - Person responsible for placing on the market
Name: Renesas Electronics Europe GmbH
Address: Arcadiastrasse 10, 40472 Dusseldorf, Germany
 - Trademark and Type name
Trademark: Renesas
Product name: RA4L1 Group Capacitive Touch Evaluation System
Type name: RTK0EG0057S01001BJ

Environmental Compliance and Certifications:

Waste Electrical and Electronic Equipment (WEEE) Directive 2012/19/EU

8. Website and Support

Visit the following URLs to learn about the kit and the RA family of microcontrollers, download tools and documentation, and get support.

- RTK0EG0057S01001BJ Resources renesas.com/rssk-touch-ra4l1
- Renesas Capacitive Touch Sensor Solutions renesas.com/solutions/touch-key
- RA Product Information renesas.com/ra
- RA Product Support Forum renesas.com/ra/forum
- Renesas Support renesas.com/support

Trademarks

All trade names and product names used in this document are trademarks or registered trademarks of their respective companies or organizations.

Copyright

All or part of this manual may be changed without notice.

Renesas Electronics Corporation holds the copyright for this document.

Reproduction, in whole or in part, without the written consent of Renesas Electronics Corporation is prohibited.

© 2024 Renesas Electronics Corporation.

Revision History

Rev.	Date	Description	
		Page	Summary
1.00	Oct.31.24	-	First edition issued

RA4L1 Group Renesas Solution Starter Kit
Capacitive Touch Evaluation System User's Manual

Publication Date: Rev.1.00 Oct.31.24

Published by: Renesas Electronics Corporation

Renesas RA4L1 Group
Renesas Solution Starter Kit
Capacitive Touch Evaluation System
User's Manual

