

To our customers,

Old Company Name in Catalogs and Other Documents

On April 1st, 2010, NEC Electronics Corporation merged with Renesas Technology Corporation, and Renesas Electronics Corporation took over all the business of both companies. Therefore, although the old company name remains in this document, it is a valid Renesas Electronics document. We appreciate your understanding.

Renesas Electronics website: <http://www.renesas.com>

April 1st, 2010
Renesas Electronics Corporation

Issued by: Renesas Electronics Corporation (<http://www.renesas.com>)

Send any inquiries to <http://www.renesas.com/inquiry>.

Notice

1. Descriptions of circuits, software and other related information in this document are provided only to illustrate the operation of semiconductor products and application examples. You are fully responsible for the incorporation of these circuits, software, and information in the design of your equipment. Renesas Electronics assumes no responsibility for any losses incurred by you or third parties arising from the use of these circuits, software, or information.
2. Renesas Electronics has used reasonable care in preparing the information included in this document, but Renesas Electronics does not warrant that such information is error free. Renesas Electronics assumes no liability whatsoever for any damages incurred by you resulting from errors in or omissions from the information included herein.
3. Renesas Electronics does not assume any liability for infringement of patents, copyrights, or other intellectual property rights of third parties by or arising from the use of Renesas Electronics products or technical information described in this document. No license, express, implied or otherwise, is granted hereby under any patents, copyrights or other intellectual property rights of Renesas Electronics or others.
4. You should not alter, modify, copy, or otherwise misappropriate any Renesas Electronics product, whether in whole or in part. Renesas Electronics assumes no responsibility for any losses incurred by you or third parties arising from such alteration, modification, copy or otherwise misappropriation of Renesas Electronics product.
5. Renesas Electronics products are classified according to the following two quality grades: "Standard" and "High Quality". The recommended applications for each Renesas Electronics product depends on the product's quality grade, as indicated below.
"Standard": Computers; office equipment; communications equipment; test and measurement equipment; audio and visual equipment; home electronic appliances; machine tools; personal electronic equipment; and industrial robots etc.
"High Quality": Transportation equipment (automobiles, trains, ships, etc.); traffic control systems; anti-disaster systems; anti-crime systems; and safety equipment etc.

Renesas Electronics products are neither intended nor authorized for use in products or systems that may pose a direct threat to human life or bodily injury (artificial life support devices or systems, surgical implantations etc.), or may cause serious property damages (nuclear reactor control systems, military equipment etc.). You must check the quality grade of each Renesas Electronics product before using it in a particular application. You may not use any Renesas Electronics product for any application for which it is not intended. Renesas Electronics shall not be in any way liable for any damages or losses incurred by you or third parties arising from the use of any Renesas Electronics product for which the product is not intended by Renesas Electronics.
6. You should use the Renesas Electronics products described in this document within the range specified by Renesas Electronics, especially with respect to the maximum rating, operating supply voltage range, movement power voltage range, heat radiation characteristics, installation and other product characteristics. Renesas Electronics shall have no liability for malfunctions or damages arising out of the use of Renesas Electronics products beyond such specified ranges.
7. Although Renesas Electronics endeavors to improve the quality and reliability of its products, semiconductor products have specific characteristics such as the occurrence of failure at a certain rate and malfunctions under certain use conditions. Further, Renesas Electronics products are not subject to radiation resistance design. Please be sure to implement safety measures to guard them against the possibility of physical injury, and injury or damage caused by fire in the event of the failure of a Renesas Electronics product, such as safety design for hardware and software including but not limited to redundancy, fire control and malfunction prevention, appropriate treatment for aging degradation or any other appropriate measures. Because the evaluation of microcomputer software alone is very difficult, please evaluate the safety of the final products or systems manufactured by you.
8. Please contact a Renesas Electronics sales office for details as to environmental matters such as the environmental compatibility of each Renesas Electronics product. Please use Renesas Electronics products in compliance with all applicable laws and regulations that regulate the inclusion or use of controlled substances, including without limitation, the EU RoHS Directive. Renesas Electronics assumes no liability for damages or losses occurring as a result of your noncompliance with applicable laws and regulations.
9. Renesas Electronics products and technology may not be used for or incorporated into any products or systems whose manufacture, use, or sale is prohibited under any applicable domestic or foreign laws or regulations. You should not use Renesas Electronics products or technology described in this document for any purpose relating to military applications or use by the military, including but not limited to the development of weapons of mass destruction. When exporting the Renesas Electronics products or technology described in this document, you should comply with the applicable export control laws and regulations and follow the procedures required by such laws and regulations.
10. It is the responsibility of the buyer or distributor of Renesas Electronics products, who distributes, disposes of, or otherwise places the product with a third party, to notify such third party in advance of the contents and conditions set forth in this document, Renesas Electronics assumes no responsibility for any losses incurred by you or third parties as a result of unauthorized use of Renesas Electronics products.
11. This document may not be reproduced or duplicated in any form, in whole or in part, without prior written consent of Renesas Electronics.
12. Please contact a Renesas Electronics sales office if you have any questions regarding the information contained in this document or Renesas Electronics products, or if you have any other inquiries.

(Note 1) "Renesas Electronics" as used in this document means Renesas Electronics Corporation and also includes its majority-owned subsidiaries.

(Note 2) "Renesas Electronics product(s)" means any product developed or manufactured by or for Renesas Electronics.

CUSTOMER NOTIFICATION

| |
|--|
| ZUD-CD-09-0291 (1/5) |
| December 25, 2009 |
| Yoshinari Ando, Team Manager Development Tool Solution Group Multipurpose Microcomputer Systems Division Microcomputer Operations Unit NEC Electronics Corporation |

QB-78K0RKX3C
(Control Code: A, B)

Operating Precautions

Be sure to read this document before using the product.

CONTENTS

1. Product Version..... 2

2. Supported Devices 3

3. Restrictions 4

 3.1 List of restrictions..... 4

 3.2 Details of restrictions..... 4

Operating Precautions for QB-78K0RKX3C

This document describes the following items. Refer to the user's manual of the In-Circuit Emulator for cautions on using In-Circuit Emulator.

- Restrictions not applicable to the target device but applicable to In-Circuit Emulator
- Restrictions applicable to both the target device and In-Circuit Emulator but correction is planned only for In-Circuit Emulator

Refer to the following documents for the restrictions in the target device.

- User's manual of target device
- Restrictions notification document for target device

1. Product Version

The product version means the control code.

As shown in Figure1, the “control code” is the second digit from the left in the 10-digit serial number.

If the product has been upgraded, the control code can be checked by selecting [About] from the [Help] menu.

As shown in Figure2, “X” in version information “IECUBE **** X F/W: V*. **” is the control code.

Figure 1 Confirmation of the control code (Serial number seal)

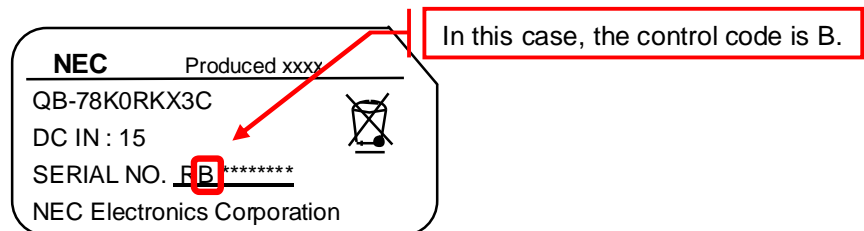
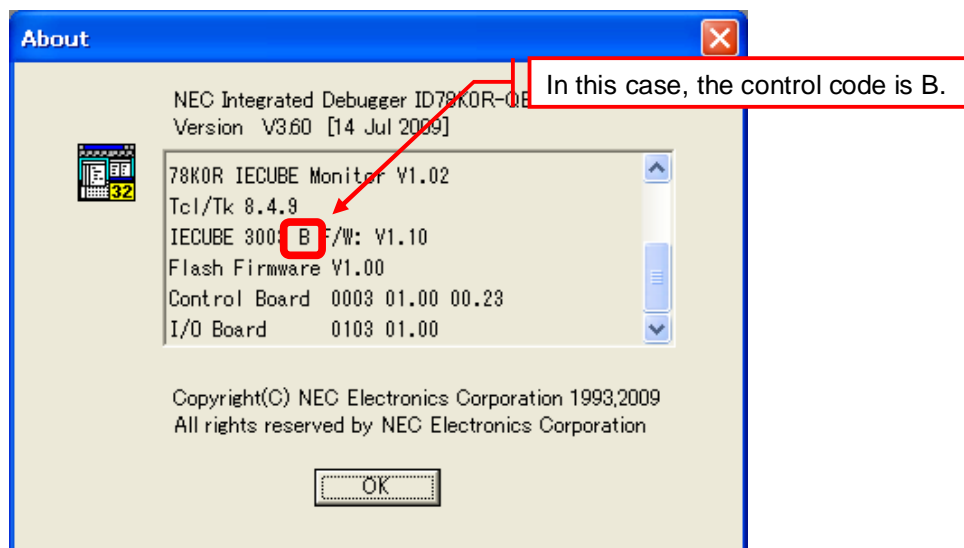


Figure2 Confirmation of the control code (ID78K0R-QB)



2. Supported Devices

(1) Emulation environment for “A devices”^{Note}

Use QB-78K0RKX3C with “control code B” or later when performing emulation of an “A device”. Emulation of “A devices” is not available when a QB-78K0RKX3C with “control code A” is used.

(2) Emulation environment for “non-A devices”^{Note}

Use QB-78K0RKX3C with “control code A” when performing emulation of “non-A devices”. Emulation of “non-A devices” is not available when a QB-78K0RKX3C with “control code B” or later is used.

Contact an NEC Electronics sales representative or a distributor from whom you purchased this product for how to upgrade the control code.

Note Identification of “A devices” and “non-A devices”

“A” in the part number indicates whether the product has been revised and this classifies devices as “A” or “non-A”.

The parts of part number “ μ PD78F1849AGC-UEU-AX” are explained below, as an example.

| Family type | Part number | Revised | Package type Custom code/speed Class, pin type, etc. | Lead-free |
|-------------|-------------|---------|--|-----------|
| μ PD | 78F1849 | A | GC - UEU | -AX |

3. Restrictions

3.1 List of restrictions

| No. | Restrictions | Control Code | |
|-----|--|--------------|---|
| | | A | B |
| 1 | Restriction on trace data when an interrupt occurs | × | ○ |

–: Not relevant, ×: Applicable, ○: Corrected

3.2 Details of restrictions

No. 1 Restriction on trace data when an interrupt occurs

[Description]

If interrupt request occurs by the specific condition, a trace result may not be correct.

Detailed condition and phenomenon are explained in the following. This is a restriction only about trace function. The instruction is executed correctly.

- Condition

When branching to interrupt vector just after executing one of following instructions, a trace result may not be correct.

1. MOVW SP, #word
2. MOVW SP, AX
3. ADDW SP, #byte
4. SUBW SP, #byte

The above instructions are relevant by the following case.

- In case of fetching ROM, 1, 2, 3 and 4 of the above instructions are relevant
- In case of fetching RAM, 3 and 4 of the above instructions are relevant

- Phenomenon

When branching to interrupt vector just after executing the above instructions (1-4), the next instruction of above instructions (1-4) is not executed, thus it is not displayed on trace window. But the following contents are displayed on trace window actually.

- The next instruction of above instructions (1-4)
- The wrong vector address

[Workaround]

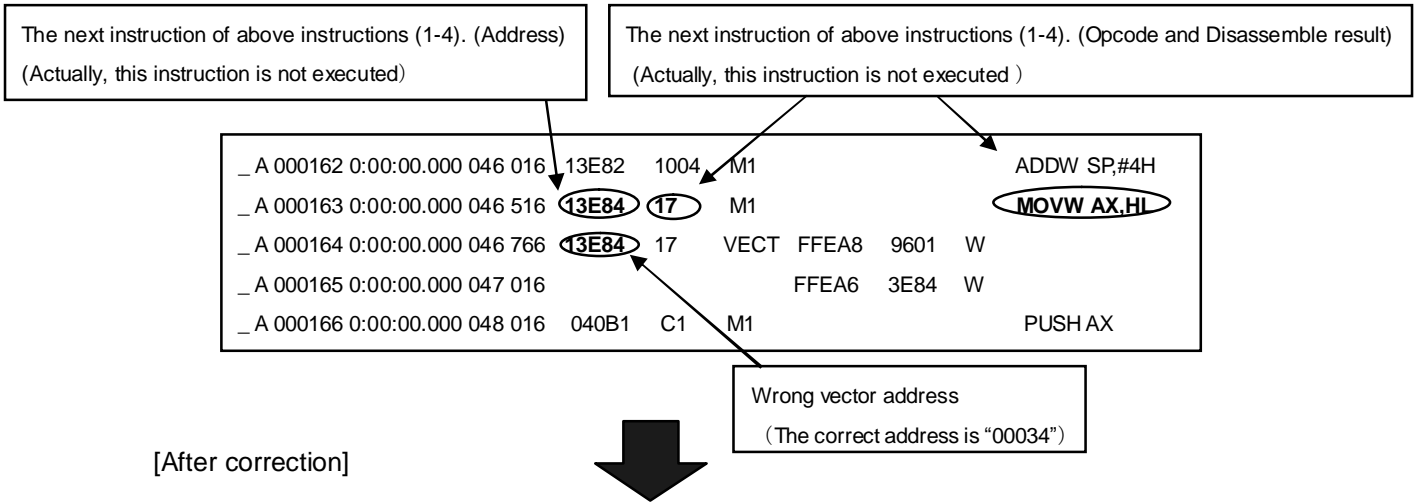
There is no workaround.

[Implementation]

This issue has been corrected in products with control code B or later.

An example of trace data before and after the correction of this restriction is shown below.

[Before correction]



[After correction]

