

To our customers,

---

## Old Company Name in Catalogs and Other Documents

---

On April 1<sup>st</sup>, 2010, NEC Electronics Corporation merged with Renesas Technology Corporation, and Renesas Electronics Corporation took over all the business of both companies. Therefore, although the old company name remains in this document, it is a valid Renesas Electronics document. We appreciate your understanding.

Renesas Electronics website: <http://www.renesas.com>

April 1<sup>st</sup>, 2010  
Renesas Electronics Corporation

Issued by: Renesas Electronics Corporation (<http://www.renesas.com>)

Send any inquiries to <http://www.renesas.com/inquiry>.

## Notice

1. All information included in this document is current as of the date this document is issued. Such information, however, is subject to change without any prior notice. Before purchasing or using any Renesas Electronics products listed herein, please confirm the latest product information with a Renesas Electronics sales office. Also, please pay regular and careful attention to additional and different information to be disclosed by Renesas Electronics such as that disclosed through our website.
2. Renesas Electronics does not assume any liability for infringement of patents, copyrights, or other intellectual property rights of third parties by or arising from the use of Renesas Electronics products or technical information described in this document. No license, express, implied or otherwise, is granted hereby under any patents, copyrights or other intellectual property rights of Renesas Electronics or others.
3. You should not alter, modify, copy, or otherwise misappropriate any Renesas Electronics product, whether in whole or in part.
4. Descriptions of circuits, software and other related information in this document are provided only to illustrate the operation of semiconductor products and application examples. You are fully responsible for the incorporation of these circuits, software, and information in the design of your equipment. Renesas Electronics assumes no responsibility for any losses incurred by you or third parties arising from the use of these circuits, software, or information.
5. When exporting the products or technology described in this document, you should comply with the applicable export control laws and regulations and follow the procedures required by such laws and regulations. You should not use Renesas Electronics products or the technology described in this document for any purpose relating to military applications or use by the military, including but not limited to the development of weapons of mass destruction. Renesas Electronics products and technology may not be used for or incorporated into any products or systems whose manufacture, use, or sale is prohibited under any applicable domestic or foreign laws or regulations.
6. Renesas Electronics has used reasonable care in preparing the information included in this document, but Renesas Electronics does not warrant that such information is error free. Renesas Electronics assumes no liability whatsoever for any damages incurred by you resulting from errors in or omissions from the information included herein.
7. Renesas Electronics products are classified according to the following three quality grades: “Standard”, “High Quality”, and “Specific”. The recommended applications for each Renesas Electronics product depends on the product’s quality grade, as indicated below. You must check the quality grade of each Renesas Electronics product before using it in a particular application. You may not use any Renesas Electronics product for any application categorized as “Specific” without the prior written consent of Renesas Electronics. Further, you may not use any Renesas Electronics product for any application for which it is not intended without the prior written consent of Renesas Electronics. Renesas Electronics shall not be in any way liable for any damages or losses incurred by you or third parties arising from the use of any Renesas Electronics product for an application categorized as “Specific” or for which the product is not intended where you have failed to obtain the prior written consent of Renesas Electronics. The quality grade of each Renesas Electronics product is “Standard” unless otherwise expressly specified in a Renesas Electronics data sheets or data books, etc.
  - “Standard”: Computers; office equipment; communications equipment; test and measurement equipment; audio and visual equipment; home electronic appliances; machine tools; personal electronic equipment; and industrial robots.
  - “High Quality”: Transportation equipment (automobiles, trains, ships, etc.); traffic control systems; anti-disaster systems; anti-crime systems; safety equipment; and medical equipment not specifically designed for life support.
  - “Specific”: Aircraft; aerospace equipment; submersible repeaters; nuclear reactor control systems; medical equipment or systems for life support (e.g. artificial life support devices or systems), surgical implantations, or healthcare intervention (e.g. excision, etc.), and any other applications or purposes that pose a direct threat to human life.
8. You should use the Renesas Electronics products described in this document within the range specified by Renesas Electronics, especially with respect to the maximum rating, operating supply voltage range, movement power voltage range, heat radiation characteristics, installation and other product characteristics. Renesas Electronics shall have no liability for malfunctions or damages arising out of the use of Renesas Electronics products beyond such specified ranges.
9. Although Renesas Electronics endeavors to improve the quality and reliability of its products, semiconductor products have specific characteristics such as the occurrence of failure at a certain rate and malfunctions under certain use conditions. Further, Renesas Electronics products are not subject to radiation resistance design. Please be sure to implement safety measures to guard them against the possibility of physical injury, and injury or damage caused by fire in the event of the failure of a Renesas Electronics product, such as safety design for hardware and software including but not limited to redundancy, fire control and malfunction prevention, appropriate treatment for aging degradation or any other appropriate measures. Because the evaluation of microcomputer software alone is very difficult, please evaluate the safety of the final products or system manufactured by you.
10. Please contact a Renesas Electronics sales office for details as to environmental matters such as the environmental compatibility of each Renesas Electronics product. Please use Renesas Electronics products in compliance with all applicable laws and regulations that regulate the inclusion or use of controlled substances, including without limitation, the EU RoHS Directive. Renesas Electronics assumes no liability for damages or losses occurring as a result of your noncompliance with applicable laws and regulations.
11. This document may not be reproduced or duplicated, in any form, in whole or in part, without prior written consent of Renesas Electronics.
12. Please contact a Renesas Electronics sales office if you have any questions regarding the information contained in this document or Renesas Electronics products, or if you have any other inquiries.

(Note 1) “Renesas Electronics” as used in this document means Renesas Electronics Corporation and also includes its majority-owned subsidiaries.

(Note 2) “Renesas Electronics product(s)” means any product developed or manufactured by or for Renesas Electronics.

# PCA7438FF-100

User's Manual

Flash memory programming adapter for 38000 Series

\* R4945 and R4945A are trademarks of Advantest Corporation.

#### **Keep safety first in your circuit designs!**

- Renesas Technology Corporation and Renesas Solutions Corporation put the maximum effort into making semiconductor products better and more reliable, but there is always the possibility that trouble may occur with them. Trouble with semiconductors may lead to personal injury, fire or property damage. Remember to give due consideration to safety when making your circuit designs, with appropriate measures such as (i) placement of substitutive, auxiliary circuits, (ii) use of nonflammable material or (iii) prevention against any malfunction or mishap.

#### **Notes regarding these materials**

- These materials are intended as a reference to assist our customers in the selection of the Renesas Technology product best suited to the customer's application; they do not convey any license under any intellectual property rights, or any other rights, belonging to Renesas Technology Corporation, Renesas Solutions Corporation or a third party.
- Renesas Technology Corporation and Renesas Solutions Corporation assume no responsibility for any damage, or infringement of any third-party's rights, originating in the use of any product data, diagrams, charts, programs, algorithms, or circuit application examples contained in these materials.
- All information contained in these materials, including product data, diagrams, charts, programs and algorithms represents information on products at the time of publication of these materials, and are subject to change by Renesas Technology Corporation and Renesas Solutions Corporation without notice due to product improvements or other reasons. It is therefore recommended that customers contact Renesas Technology Corporation, Renesas Solutions Corporation or an authorized Renesas Technology product distributor for the latest product information before purchasing a product listed herein. The information described here may contain technical inaccuracies or typographical errors. Renesas Technology Corporation and Renesas Solutions Corporation assume no responsibility for any damage, liability, or other loss rising from these inaccuracies or errors. Please also pay attention to information published by Renesas Technology Corporation and Renesas Solutions Corporation by various means, including the Renesas home page (<http://www.renesas.com>).
- When using any or all of the information contained in these materials, including product data, diagrams, charts, programs, and algorithms, please be sure to evaluate all information as a total system before making a final decision on the applicability of the information and products. Renesas Technology Corporation and Renesas Solutions Corporation assume no responsibility for any damage, liability or other loss resulting from the information contained herein.
- Renesas Technology semiconductors are not designed or manufactured for use in a device or system that is used under circumstances in which human life is potentially at stake. Please contact Renesas Technology Corporation, Renesas Solutions Corporation or an authorized Renesas Technology product distributor when considering the use of a product contained herein for any specific purposes, such as apparatus or systems for transportation, vehicular, medical, aerospace, nuclear, or undersea repeater use.
- The prior written approval of Renesas Technology Corporation and Renesas Solutions Corporation is necessary to reprint or reproduce in whole or in part these materials.
- If these products or technologies are subject to the Japanese export control restrictions, they must be exported under a license from the Japanese government and cannot be imported into a country other than the approved destination. Any diversion or reexport contrary to the export control laws and regulations of Japan and/or the country of destination is prohibited.
- Please contact Renesas Technology Corporation or Renesas Solutions Corporation for further details on these materials or the products contained therein.

#### **Precautions to be taken when using this product**

- This product is a development supporting unit for use in your program development and evaluation stages. In mass-producing your program you have finished developing, be sure to make a judgment on your own risk that it can be put to practical use by performing integration test, evaluation, or some experiment else.
- In no event shall Renesas Solutions Corporation be liable for any consequence arising from the use of this product.
- Renesas Solutions Corporation strives to renovate or provide a workaround for product malfunction at some charge or without charge. However, this does not necessarily mean that Renesas Solutions Corporation guarantees the renovation or the provision under any circumstances.
- This product has been developed by assuming its use for program development and evaluation in laboratories. Therefore, it does not fall under the application of Electrical Appliance and Material Safety Law and protection against electromagnetic interference when used in Japan.

Renesas Tools Homepage <http://www.renesas.com/en/tools>

# Contents

1. Precautions for Safety .....	4
1.1 Safety Symbols and Meanings .....	4
2. Introduction .....	6
2.1 Things to Check When Unpacking .....	6
3. Specifications .....	7
4. How to Write the Program .....	8
4.1 Programming Procedures .....	8
4.2 Attaching Adapter to PROM Programmer .....	9
4.3 Inserting MCU into Programming Adapter .....	10
4.4 Setting Jumper Switches .....	11
4.5 Precautions When Opening and Closing IC Socket .....	12
4.6 Precautions When Handling Adapter .....	12
4.7 Setting Programming Area .....	12
5. Recommended PROM Programmers .....	13
6. Memory Maps .....	14
7. Troubleshooting .....	15
7.1 Errors That Occur When Writing to ROM .....	15
7.1.1 When Newly Purchased .....	15
7.1.2 Previously Written Normally .....	15
7.2 MCU Does Not Function Normally .....	16
7.3 Other Precautions .....	16
7.3.1 About the Recommended PROM Programmer .....	16
7.3.2 About Reading Out of Device Identification Code .....	16
7.4 How to Request for Support .....	16

## To use the product properly

### Precautions for Safety





- In both this User's Manual and on the product itself, several icons are used to insure proper handling of this product and also to prevent injuries to you or other persons, or damage to your properties.
- The icons' graphic images and meanings are given in "Chapter 1. Precautions for Safety". Be sure to read this chapter before using the product.

# 1. Precautions for Safety


In both the user's manual and on the product itself, several icons are used to insure proper handling of this product and also to prevent injuries to you or other persons, or damage to your properties.


This chapter describes the precautions which should be taken in order to use this product safely and properly. Be sure to read this chapter before using this product.


## 1.1 Safety Symbols and Meanings

	<b>WARNING</b>	If the requirements shown in the "WARNING" sentences are ignored, the equipment may cause serious personal injury or death.
	<b>CAUTION</b>	If the requirements shown in the "CAUTION" sentences are ignored, the equipment may malfunction.
	<b>IMPORTANT</b>	It means important information on using this product.

In addition to the three above, the following are also used as appropriate.

△ means WARNING or CAUTION.  
Example:  **CAUTION AGAINST AN ELECTRIC SHOCK**

⊘ means PROHIBITION.  
Example:  **DISASSEMBLY PROHIBITED**

● means A FORCIBLE ACTION.  
Example:  **UNPLUG THE POWER CABLE FROM THE RECEPTACLE.**

The following pages describe the symbols "WARNING", "CAUTION", and "IMPORTANT".

## **WARNING**

### **Warning for Use Environment:**

- This equipment is to be used in an environment with a maximum ambient temperature of 35°C. Care should be taken that this temperature is not exceeded.
- Select the proper programming mode of the PROM programmer.

## **CAUTION**

### **Cautions to Be Taken for This Product:**



- Do not disassemble or modify this product. Disassembling or modifying this product can cause damage.
- Use caution when handling this product. Be careful not to apply a mechanical shock such as falling.
- Do not directly touch the connector pins of this product.
- Be careful with the static electricity when handling this product and the MCU.

### **When Not Using This Product for a Long Time:**

- (1) Attach the connector pins of this product to the conductive sponge.
- (2) Put it into a conductive polyvinyl, and keep it in the package case shipped from the factory.
- (3) Store it in the place where humidity and temperature are low and direct sunshine does not strike.

## **IMPORTANT**

### **When Using The Product:**

- Attach this product to the IC socket on the PROM programmer properly.
- Insert the MCU to the IC socket of this product properly.
- When opening and closing the IC socket of this product, be sure to keep it horizontal.
- Be sure to set the programming area as described in this user's manual.
- Do not use the PROM programmer's device identification code readout function.

## 2. Introduction

This product is a flash memory programming adapter for Renesas 38000 Series of 8-bit microcomputers. The adapter is a tool that can be used to write programs into internal flash memory of microcomputers using a commercially available PROM programmer.

This manual describes the specifications and the operation.

Figure 2.1 shows the external view and constituent parts of the adapter.

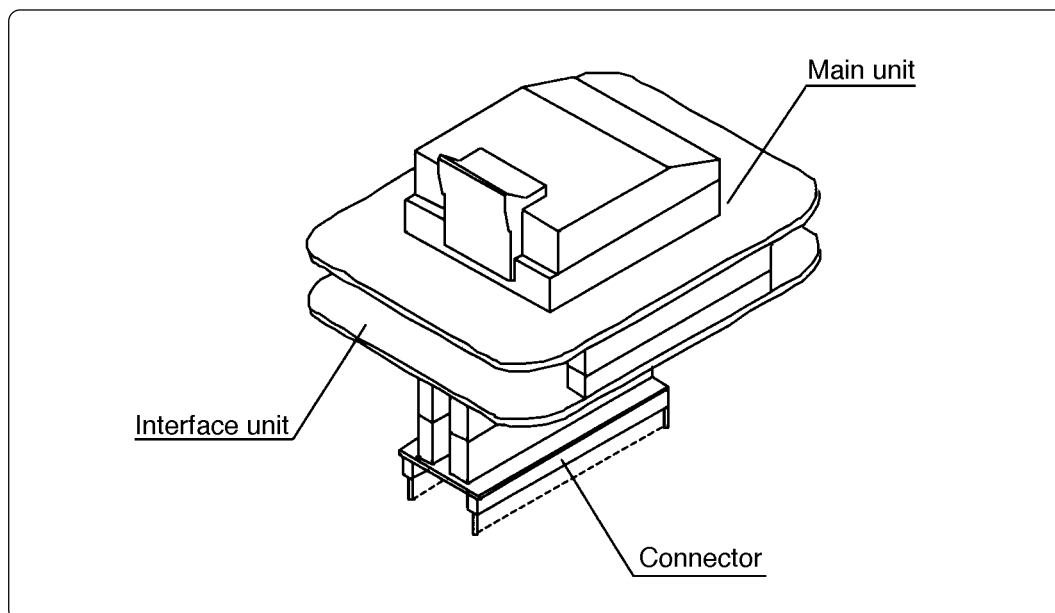


Figure 2.1 External view and constituent parts

### 2.1 Things to Check When Unpacking

This product consists of the items listed in Table 2.1. Check to see that it contains all of the items.

Table 2.1 Package components

Main unit	PCA7438FF-100
Interface unit	PCA7438B
Connector	PCA7402E (32 pins)
User's manual	This manual

If any part is missing or there is any doubt about your product package, contact your local distributor.



### 3. Specifications

Table 3.1 lists specifications of the programming adapter.

*Table 3.1 Specifications of the programming adapter*

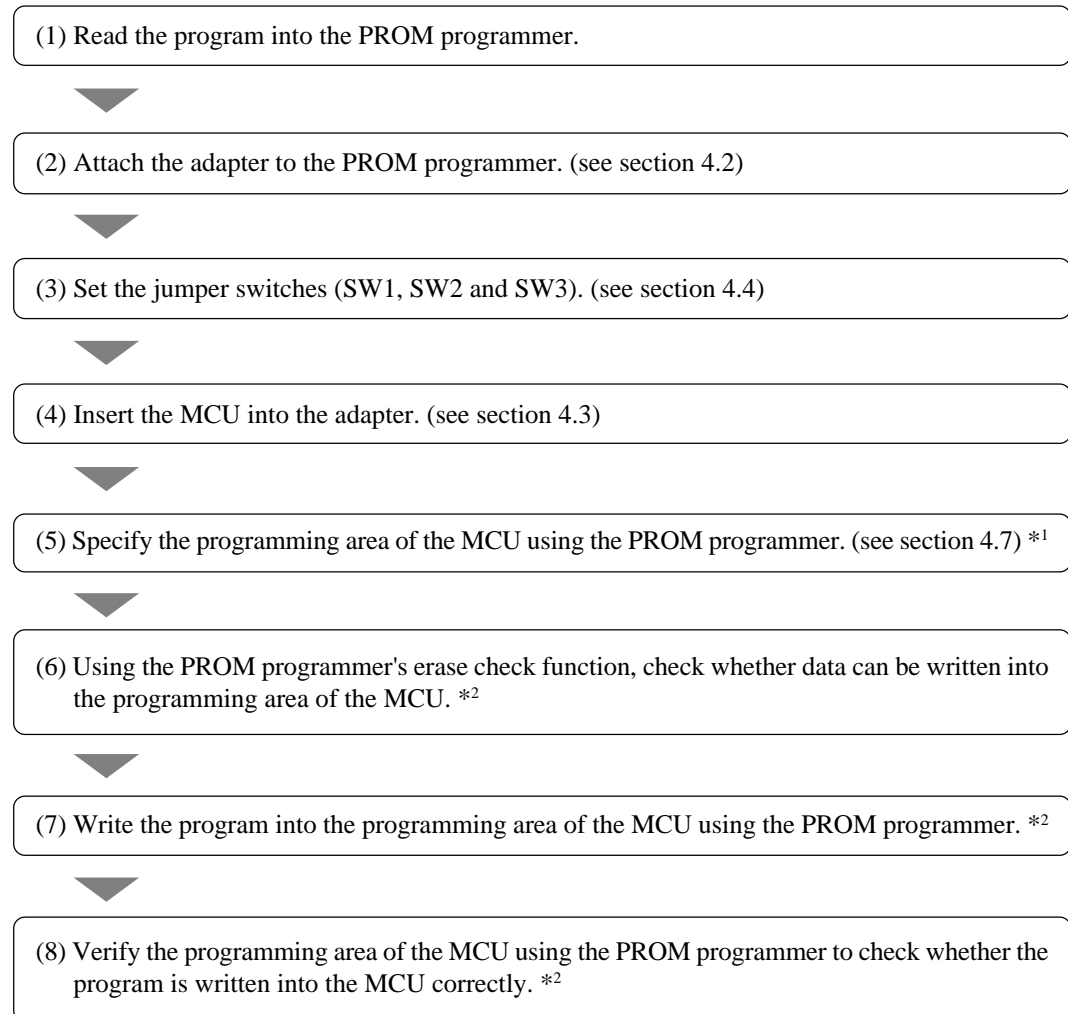
Applicable MCU		M38B79FFFP (100-pin 0.65mm-pitch QFP)
Operating clock frequency		1MHz (Supplied by the ceramic oscillator mounted on the adapter)
Power supply		Supplied from Vcc of the PROM programmer
IC socket		IC51-1004-814-6 (made by Yamaichi Electronics Co., Ltd.)
Board configuration	Main unit	Board to insert a programmable MCU (IC socket mounted on it)
	PCA7438B (Interface unit)	Interface board (Connected by two rows of standard-pitch 18-pin connectors and two rows of standard-pitch 16-pin connectors to the upper and lower boards)
	PCA7402E (Connector)	Board to connect to the PROM programmer (Standard-pitch 32-pin pin-header mounted)

## 4. How to Write the Program

This chapter describes how to write programs using a PROM programmer. For details on how to operate the PROM programmer, refer to the user's manual of the PROM programmer.

### 4.1 Programming Procedures

Follow procedures (1) to (8) to write programs into the MCU.



\*1 Be sure to set the programming area. Otherwise the mode's shift to the programming mode may not be performed successfully. The erase check function etc. may not also be performed completely.

\*2 Some PROM programmers perform the steps (6) through (8) automatically.

## 4.2 Attaching Adapter to PROM Programmer

As shown in Figure 4.1, attach the No. 1 pin of the PCA7402E connector (standard-pitch 32-pin pin-header mounted) to the No. 1 pin of the IC socket of the PROM programmer.

**Be careful when attaching to the PROM programmer because incorrect insertion can cause fatal damage to the MCU.**

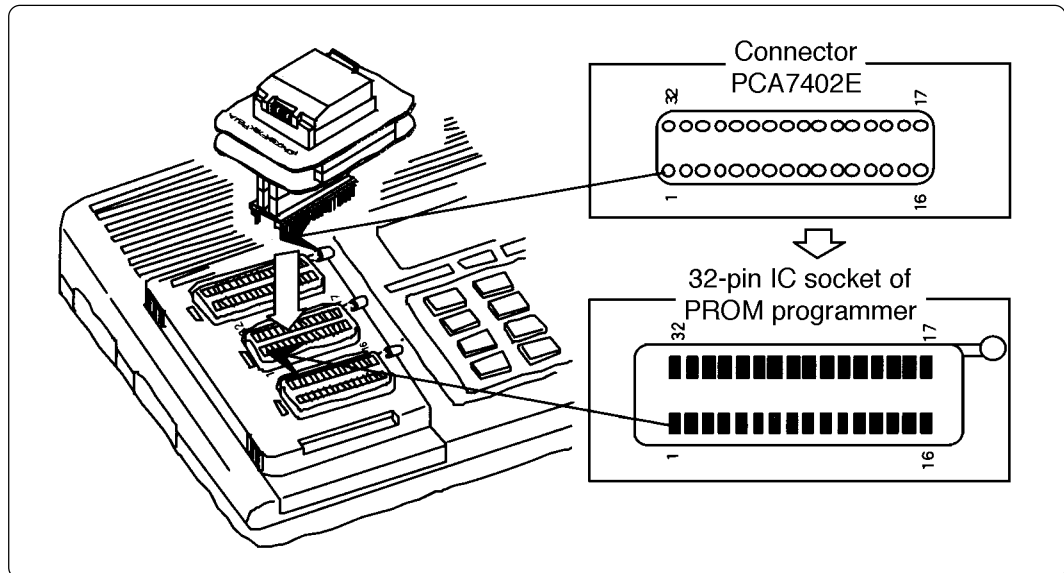


Figure 4.1 Attaching adapter

### 4.3 Inserting MCU into Programming Adapter

As shown in Figure 4.2, insert the No. 1 pin of the MCU into the No. 1 pin of the IC socket on the main unit.

**Be careful when inserting the MCU because incorrect insertion can cause fatal damage to the MCU.**

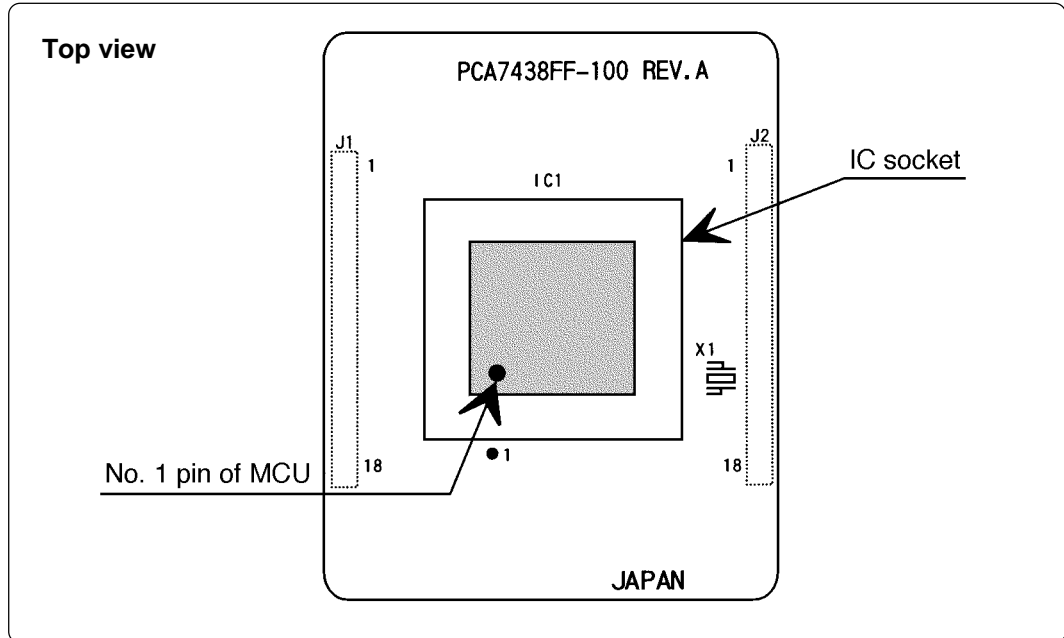


Figure 4.2 Inserting MCU

## 4.4 Setting Jumper Switches

### (1) Jumper Switch SW1

Set the jumper switch SW1 according to the output format of the MCU ports P2<sub>0</sub> to P2<sub>3</sub>. The examples of switch settings are shown in Table 4.1 and Figure 4.3.

- When ports P2<sub>0</sub> to P2<sub>3</sub> are CMOS output ..... SW1: CMOS
- When ports P2<sub>0</sub> to P2<sub>3</sub> are Pch output ..... SW1: Pch
- When ports P2<sub>0</sub> to P2<sub>3</sub> are Nch output ..... SW1: Nch

### (2) Jumper Switch SW2

Set the jumper switch SW2 according to the output format of the MCU ports P2<sub>4</sub> to P2<sub>7</sub>. The examples of switch settings are shown in Table 4.1 and Figure 4.3.

- When ports P2<sub>4</sub> to P2<sub>7</sub> are CMOS output ..... SW2: CMOS
- When ports P2<sub>4</sub> to P2<sub>7</sub> are Pch output ..... SW2: Pch
- When ports P2<sub>4</sub> to P2<sub>7</sub> are Nch output ..... SW2: Nch

### (3) Jumper Switch SW3

Set the jumper switch SW3 according to the specification of the sub-clock X<sub>CIN</sub> pin. The examples of switch settings are shown in Table 4.1 and Figure 4.3.

- When X<sub>CIN</sub> pin is dedicated pin for X<sub>CIN</sub> ..... SW3: ON
- When X<sub>CIN</sub> pin is used also as a general I/O port (e.g. P8<sub>0</sub>/X<sub>CIN</sub>) ..... SW3: OFF
- When there is no X<sub>CIN</sub> pin ..... SW3: OFF

Table 4.1 Jumper switch settings of M38B79FFFP

MCU	SW1	SW2	SW3
M38B79FFFP	Pch	Pch	OFF

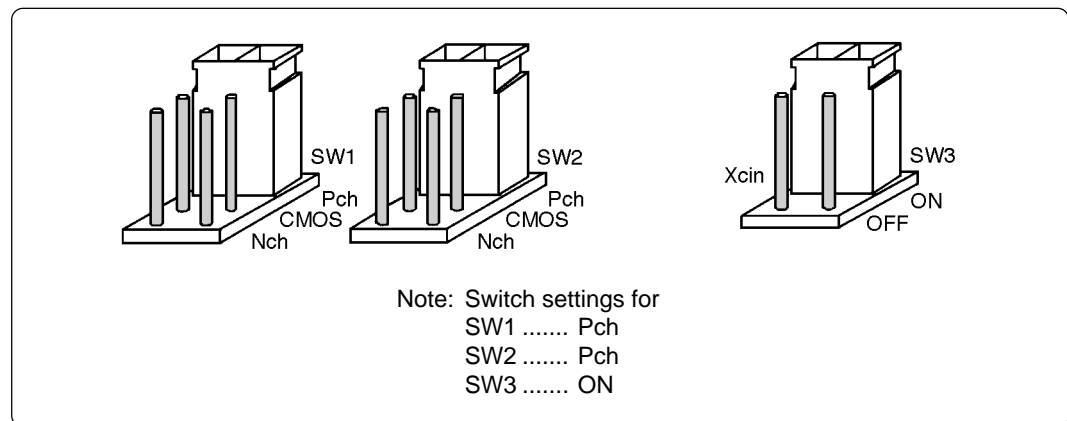


Figure 4.3 Jumper switch settings

## 4.5 Precautions When Opening and Closing IC Socket

When opening and closing the IC socket, hold the adapter horizontally as shown in Figure 4.4. Otherwise the inside of the IC socket may become damaged and cause an electrical insulation failure.

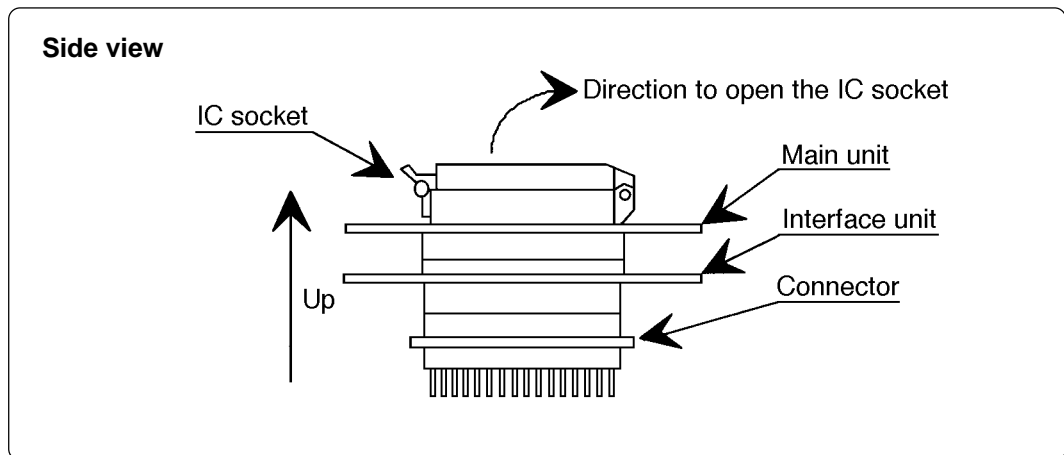


Figure 4.4 Holding the adapter in a horizontal position

## 4.6 Precautions When Handling Adapter

Do not directly touch the connector in the IC socket and the pins on the PROM programmer connector because dirt may cause an electrical insulation failure.

When not using this product, attach the connector pins of this product to the conductive sponge as it was shipped from the factory.

## 4.7 Setting Programming Area

When writing and erasing programs, be sure to set the programming area. And also, specify its device of the PROM programmer.

Table 4.1 Programming area

MCU	ROM size	PROM programmer		Internal flash memory area of MCU
		Device	Programming area	
M38B79FFFP	60KB	M5M28F101	01000 <sub>16</sub> - 0FFFF <sub>16</sub>	1000 <sub>16</sub> - FFFF <sub>16</sub>

## 5. Recommended PROM Programmers

The PROM programmers listed in Table 5.1 are recommended for this product. Using the actual products, we have verified that these PROM programmers can be used to write programs without problem. Nonconformity occurring by using any other PROM programmers can not be supported. For the latest type of PROM programmers, contact the manufacturer to confirm whether it can be used for your product.

*Table 5.1 Recommended PROM programmers*

Manufacturer	Type name	Device	Programming voltage (Vpp)
Advantest Corporation	R4945	M5M28F101 mode	12.0V
	R4945A		

# 6. Memory Maps

Figure 6.1 shows memory maps of the MCU and the PROM programmer.

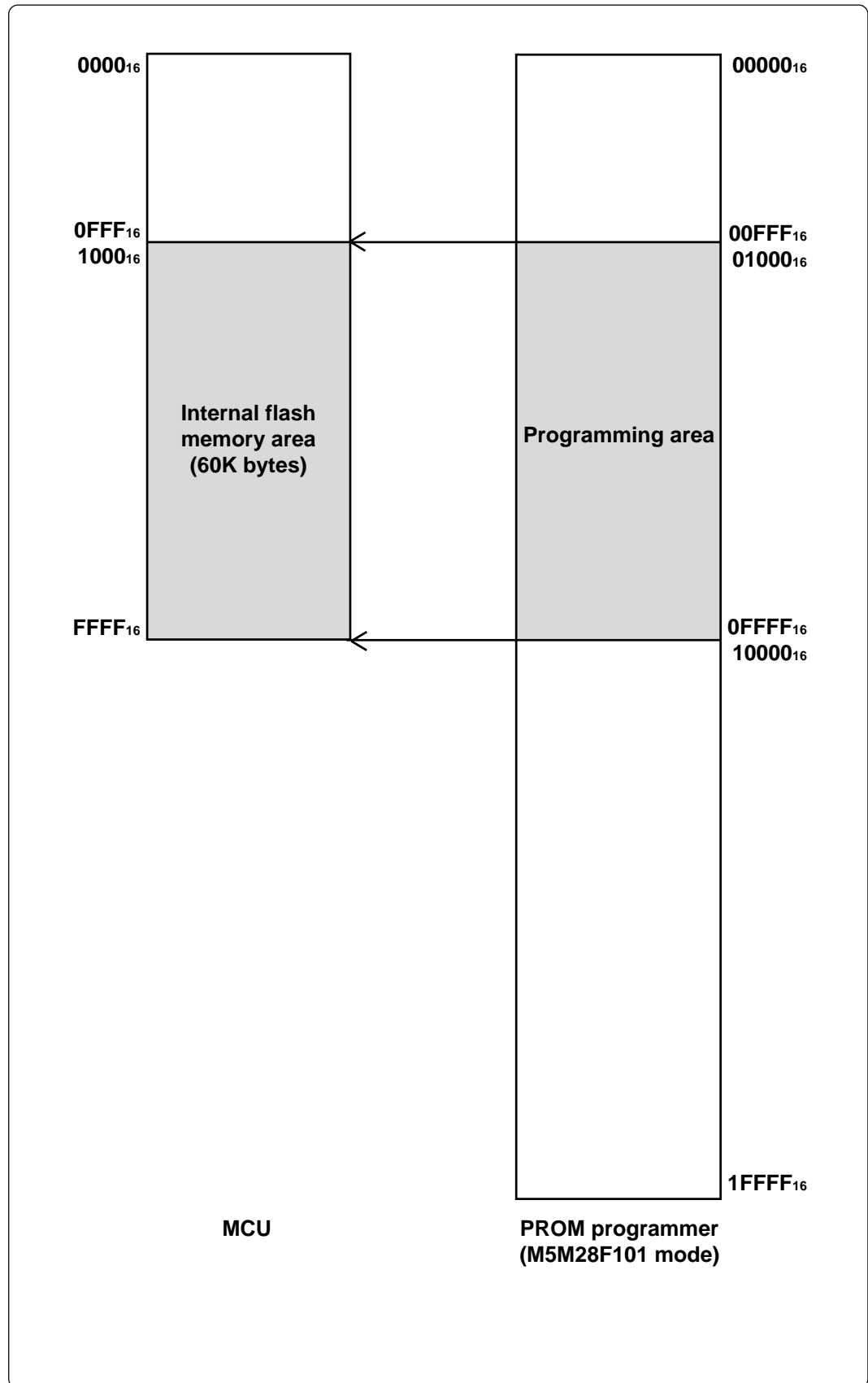


Figure 6.1 Memory maps



# 7. Troubleshooting

The table below summarizes errors to be checked carefully before you determine them to be a fault.

## 7.1 Errors That Occur When Writing to ROM

### 7.1.1 When Newly Purchased

Cause	Remedy	See page
Programming adapter	Is the adapter attached to the correct position of the PROM programmer?	9
	Is the MCU attached to the correct position?	10
PROM programmer	Is the area specification set correctly?	12
	Is the correct device selected?	13
Contact failure	The IC socket of the PROM programmer may be stained. The socket needs replacing.	-

### 7.1.2 Previously Written Normally

Cause	Remedy	See page
Programming adapter	Is the adapter attached to the correct position of the PROM programmer?	9
	Is the MCU attached to the correct position?	10
PROM programmer	Is the area specification set correctly?	12
	Is the correct device selected?	13
Contact failure	The IC socket of the PROM programmer may be stained. The socket needs replacing.	-
	The PROM programmer connector at which the PROM programmer is contacted may be stained. Clean it with alcohol, etc.	-

## 7.2 MCU Does Not Function Normally

The program operates normally on the emulator, but when the MCU that has normally been written is attached the same program does not function normally.

- (1) Is the offset address specified correctly when copying data into the PROM programmer?
- (2) In the emulator, NOPs are often inserted in the area where the program has not been read, therefore the program happens to appear functioning normally even though it may have gone wild. Check your program again.
- (3) The emulator and the actual MCU may differ in characteristics. Consult the user's manual of the emulation pod to check for differences in characteristics again.

## 7.3 Other Precautions

### 7.3.1 About the Recommended PROM Programmer

Not all PROM programmers available on the market can be checked to see if they function properly. There are several PROM programmers that we have verified to function properly. These products are listed as recommended PROM programmers in "5. Recommended PROM Programmers". Other PROM programmers may also be used providing that you verified them to function properly.

Note: No matter which type of PROM programmer you use, it is necessary to verify completion of programming by executing screening, etc. that are stipulated for each microcomputer used.

### 7.3.2 About Reading Out of Device Identification Code \*1

Please do not use the PROM programmer's device identification code readout function.

Using this function may break down the MCU. The device identification code is included in EPROM to indicate the manufacturer code and device code; it is not included in the MCU.

\*1 Depending on PROM programmer manufacturers, this may be referred to by another name (e.g. ID code).

## 7.4 How to Request for Support

After checking this manual, fill in the following information and email to your local distributor.

For prompt response, please specify the following information:

(1) Contact address

- Company name
- Department
- Responsible person
- Phone number
- Fax number
- E-mail address

(2) Product information

- Name of the programming adapter
- Serial number
- Date of purchase
- Target MCU
- Symptoms (Fails blank check/Cannot write a program/Fails verification etc.)
- Detailed symptoms
- How often does the problem occur? (2 out of 10 etc.)
- When did the problem start to occur? (Since purchase/Used to work correctly)
- Type name of the PROM programmer (Advantest R4945A etc.)
- Specified device when writing to PROM (M27C101 etc.)
- Specified programming area when writing to PROM
- Switch settings of the adapter when writing to PROM

# PCA7438FF-100 User's Manual

---

Rev.1.00  
September 1, 2003  
REJ10J0251-0100Z

COPYRIGHT ©2003 RENESAS TECHNOLOGY CORPORATION  
AND RENESAS SOLUTIONS CORPORATION ALL RIGHTS RESERVED

**PCA7438FF-100**  
**User's Manual**



**Renesas Electronics Corporation**

1753, Shimonumabe, Nakahara-ku, Kawasaki-shi, Kanagawa 211-8668 Japan

REJ10J0251-0100Z