

To our customers,

Old Company Name in Catalogs and Other Documents

On April 1st, 2010, NEC Electronics Corporation merged with Renesas Technology Corporation, and Renesas Electronics Corporation took over all the business of both companies. Therefore, although the old company name remains in this document, it is a valid Renesas Electronics document. We appreciate your understanding.

Renesas Electronics website: <http://www.renesas.com>

April 1st, 2010
Renesas Electronics Corporation

Issued by: Renesas Electronics Corporation (<http://www.renesas.com>)

Send any inquiries to <http://www.renesas.com/inquiry>.

Notice

1. All information included in this document is current as of the date this document is issued. Such information, however, is subject to change without any prior notice. Before purchasing or using any Renesas Electronics products listed herein, please confirm the latest product information with a Renesas Electronics sales office. Also, please pay regular and careful attention to additional and different information to be disclosed by Renesas Electronics such as that disclosed through our website.
2. Renesas Electronics does not assume any liability for infringement of patents, copyrights, or other intellectual property rights of third parties by or arising from the use of Renesas Electronics products or technical information described in this document. No license, express, implied or otherwise, is granted hereby under any patents, copyrights or other intellectual property rights of Renesas Electronics or others.
3. You should not alter, modify, copy, or otherwise misappropriate any Renesas Electronics product, whether in whole or in part.
4. Descriptions of circuits, software and other related information in this document are provided only to illustrate the operation of semiconductor products and application examples. You are fully responsible for the incorporation of these circuits, software, and information in the design of your equipment. Renesas Electronics assumes no responsibility for any losses incurred by you or third parties arising from the use of these circuits, software, or information.
5. When exporting the products or technology described in this document, you should comply with the applicable export control laws and regulations and follow the procedures required by such laws and regulations. You should not use Renesas Electronics products or the technology described in this document for any purpose relating to military applications or use by the military, including but not limited to the development of weapons of mass destruction. Renesas Electronics products and technology may not be used for or incorporated into any products or systems whose manufacture, use, or sale is prohibited under any applicable domestic or foreign laws or regulations.
6. Renesas Electronics has used reasonable care in preparing the information included in this document, but Renesas Electronics does not warrant that such information is error free. Renesas Electronics assumes no liability whatsoever for any damages incurred by you resulting from errors in or omissions from the information included herein.
7. Renesas Electronics products are classified according to the following three quality grades: “Standard”, “High Quality”, and “Specific”. The recommended applications for each Renesas Electronics product depends on the product’s quality grade, as indicated below. You must check the quality grade of each Renesas Electronics product before using it in a particular application. You may not use any Renesas Electronics product for any application categorized as “Specific” without the prior written consent of Renesas Electronics. Further, you may not use any Renesas Electronics product for any application for which it is not intended without the prior written consent of Renesas Electronics. Renesas Electronics shall not be in any way liable for any damages or losses incurred by you or third parties arising from the use of any Renesas Electronics product for an application categorized as “Specific” or for which the product is not intended where you have failed to obtain the prior written consent of Renesas Electronics. The quality grade of each Renesas Electronics product is “Standard” unless otherwise expressly specified in a Renesas Electronics data sheets or data books, etc.
 - “Standard”: Computers; office equipment; communications equipment; test and measurement equipment; audio and visual equipment; home electronic appliances; machine tools; personal electronic equipment; and industrial robots.
 - “High Quality”: Transportation equipment (automobiles, trains, ships, etc.); traffic control systems; anti-disaster systems; anti-crime systems; safety equipment; and medical equipment not specifically designed for life support.
 - “Specific”: Aircraft; aerospace equipment; submersible repeaters; nuclear reactor control systems; medical equipment or systems for life support (e.g. artificial life support devices or systems), surgical implantations, or healthcare intervention (e.g. excision, etc.), and any other applications or purposes that pose a direct threat to human life.
8. You should use the Renesas Electronics products described in this document within the range specified by Renesas Electronics, especially with respect to the maximum rating, operating supply voltage range, movement power voltage range, heat radiation characteristics, installation and other product characteristics. Renesas Electronics shall have no liability for malfunctions or damages arising out of the use of Renesas Electronics products beyond such specified ranges.
9. Although Renesas Electronics endeavors to improve the quality and reliability of its products, semiconductor products have specific characteristics such as the occurrence of failure at a certain rate and malfunctions under certain use conditions. Further, Renesas Electronics products are not subject to radiation resistance design. Please be sure to implement safety measures to guard them against the possibility of physical injury, and injury or damage caused by fire in the event of the failure of a Renesas Electronics product, such as safety design for hardware and software including but not limited to redundancy, fire control and malfunction prevention, appropriate treatment for aging degradation or any other appropriate measures. Because the evaluation of microcomputer software alone is very difficult, please evaluate the safety of the final products or system manufactured by you.
10. Please contact a Renesas Electronics sales office for details as to environmental matters such as the environmental compatibility of each Renesas Electronics product. Please use Renesas Electronics products in compliance with all applicable laws and regulations that regulate the inclusion or use of controlled substances, including without limitation, the EU RoHS Directive. Renesas Electronics assumes no liability for damages or losses occurring as a result of your noncompliance with applicable laws and regulations.
11. This document may not be reproduced or duplicated, in any form, in whole or in part, without prior written consent of Renesas Electronics.
12. Please contact a Renesas Electronics sales office if you have any questions regarding the information contained in this document or Renesas Electronics products, or if you have any other inquiries.

(Note 1) “Renesas Electronics” as used in this document means Renesas Electronics Corporation and also includes its majority-owned subsidiaries.

(Note 2) “Renesas Electronics product(s)” means any product developed or manufactured by or for Renesas Electronics.

PCA7412E4S-64

User's Manual

PROM programming adapter for M16C/6V
Group MCUs

* R4945 and R4945A are trademarks of Advantest Corporation.

* 264-1300-00-0602J is a trademark of Sumitomo 3M Limited.

Keep safety first in your circuit designs!

- Renesas Technology Corporation and Renesas Solutions Corporation put the maximum effort into making semiconductor products better and more reliable, but there is always the possibility that trouble may occur with them. Trouble with semiconductors may lead to personal injury, fire or property damage. Remember to give due consideration to safety when making your circuit designs, with appropriate measures such as (i) placement of substitutive, auxiliary circuits, (ii) use of nonflammable material or (iii) prevention against any malfunction or mishap.

Notes regarding these materials

- These materials are intended as a reference to assist our customers in the selection of the Renesas Technology product best suited to the customer's application; they do not convey any license under any intellectual property rights, or any other rights, belonging to Renesas Technology Corporation, Renesas Solutions Corporation or a third party.
- Renesas Technology Corporation and Renesas Solutions Corporation assume no responsibility for any damage, or infringement of any third-party's rights, originating in the use of any product data, diagrams, charts, programs, algorithms, or circuit application examples contained in these materials.
- All information contained in these materials, including product data, diagrams, charts, programs and algorithms represents information on products at the time of publication of these materials, and are subject to change by Renesas Technology Corporation and Renesas Solutions Corporation without notice due to product improvements or other reasons. It is therefore recommended that customers contact Renesas Technology Corporation, Renesas Solutions Corporation or an authorized Renesas Technology product distributor for the latest product information before purchasing a product listed herein. The information described here may contain technical inaccuracies or typographical errors. Renesas Technology Corporation and Renesas Solutions Corporation assume no responsibility for any damage, liability, or other loss rising from these inaccuracies or errors. Please also pay attention to information published by Renesas Technology Corporation and Renesas Solutions Corporation by various means, including the Renesas home page (<http://www.renesas.com>).
- When using any or all of the information contained in these materials, including product data, diagrams, charts, programs, and algorithms, please be sure to evaluate all information as a total system before making a final decision on the applicability of the information and products. Renesas Technology Corporation and Renesas Solutions Corporation assume no responsibility for any damage, liability or other loss resulting from the information contained herein.
- Renesas Technology semiconductors are not designed or manufactured for use in a device or system that is used under circumstances in which human life is potentially at stake. Please contact Renesas Technology Corporation, Renesas Solutions Corporation or an authorized Renesas Technology product distributor when considering the use of a product contained herein for any specific purposes, such as apparatus or systems for transportation, vehicular, medical, aerospace, nuclear, or undersea repeater use.
- The prior written approval of Renesas Technology Corporation and Renesas Solutions Corporation is necessary to reprint or reproduce in whole or in part these materials.
- If these products or technologies are subject to the Japanese export control restrictions, they must be exported under a license from the Japanese government and cannot be imported into a country other than the approved destination. Any diversion or reexport contrary to the export control laws and regulations of Japan and/or the country of destination is prohibited.
- Please contact Renesas Technology Corporation or Renesas Solutions Corporation for further details on these materials or the products contained therein.

Precautions to be taken when using this product

- This product is a development supporting unit for use in your program development and evaluation stages. In mass-producing your program you have finished developing, be sure to make a judgment on your own risk that it can be put to practical use by performing integration test, evaluation, or some experiment else.
- In no event shall Renesas Solutions Corporation be liable for any consequence arising from the use of this product.
- Renesas Solutions Corporation strives to renovate or provide a workaround for product malfunction at some charge or without charge. However, this does not necessarily mean that Renesas Solutions Corporation guarantees the renovation or the provision under any circumstances.
- This product has been developed by assuming its use for program development and evaluation in laboratories. Therefore, it does not fall under the application of Electrical Appliance and Material Safety Law and protection against electromagnetic interference when used in Japan.

Renesas Tools Homepage <http://www.renesas.com/en/tools>

Contents

1. Precautions for Safety	4
1.1 Safety Symbols and Meanings	4
2. Introduction	6
2.1 Things to Check When Unpacking	6
3. Specifications	7
4. How to Write the Program	8
4.1 Programming Procedures	8
4.2 Attaching the Adapter to a PROM Programmer	9
4.3 Setting the Jumper Switch	9
4.4 Inserting an MCU into the Programming Adapter	10
4.5 Precautions When Handling the Adapter	10
4.6 Setting Programming Area	11
5. Recommended PROM Programmers	12
6. Memory Map	13
7. How to Request for Support	14

To use the product properly

Precautions for Safety





- In both this User's Manual and on the product itself, several icons are used to insure proper handling of this product and also to prevent injuries to you or other persons, or damage to your properties.
- The icons' graphic images and meanings are given in "Chapter 1. Precautions for Safety". Be sure to read this chapter before using the product.

1. Precautions for Safety


In this user's manual, several icons are used to insure proper handling of this product and also to prevent injuries to you or other persons, or damage to your properties.


This chapter describes precautions which should be taken in order to use this product safely and properly. Be sure to read this chapter before using this product.


1.1 Safety Symbols and Meanings

	WARNING	If the requirements shown in the "WARNING" sentences are ignored, the equipment may cause serious personal injury or death.
	CAUTION	If the requirements shown in the "CAUTION" sentences are ignored, the equipment may malfunction.
	IMPORTANT	It means important information on using this product.

In addition to the three above, the following are also used as appropriate.

△ means WARNING or CAUTION.
Example:  **CAUTION AGAINST AN ELECTRIC SHOCK**

⊘ means PROHIBITION.
Example:  **DISASSEMBLY PROHIBITED**

● means A FORCIBLE ACTION.
Example:  **UNPLUG THE POWER CABLE FROM THE RECEPTACLE.**

The following page describes the symbols "WARNING", "CAUTION", and "IMPORTANT".

WARNING

Warnings for Use Environment:



- This equipment is to be used in an environment with a maximum ambient temperature of 35°C. Care should be taken that this temperature is not exceeded.
- Select the proper programming mode of the PROM programmer.

CAUTION

Cautions to Be Taken for Modifying This Product:



- Do not disassemble or modify this product. Disassembling or modifying this product can cause damage.

Cautions to Be Taken for Handling This Product:



- Use caution when handling this product. Be careful not to apply a mechanical shock such as falling.
- Do not touch the connector pins of this product.
- Be careful with the static electricity when handling this product and the MCU.

When Not Using This Product for a Long Time:

- (1) Attach the connector pins of this product to the conductive sponge.
- (2) Put it into a conductive polyvinyl, and keep it in the package case shipped from the factory.
- (3) Store it in the place where humidity and temperature are low and direct sunshine does not strike.

IMPORTANT

When Using The Product:

- Attach this product to the IC socket on the PROM programmer properly.
- Insert the MCU to the IC socket of this product properly.
- When opening and closing the IC socket of this product, be sure to keep it horizontal.
- Be sure to set the programming area as described in this user's manual.
- Do not use the PROM programmer's device identification code readout function.

2. Introduction

This product is a PROM programming adapter for M16C/6V Group of 16-bit MCUs. The adapter is a tool that can be used to write programs into internal ROM of microcomputers using a commercially available PROM programmer. This manual describes the specifications and the operation.

Figure 2.1 shows the external view and constituent parts of the adapter.

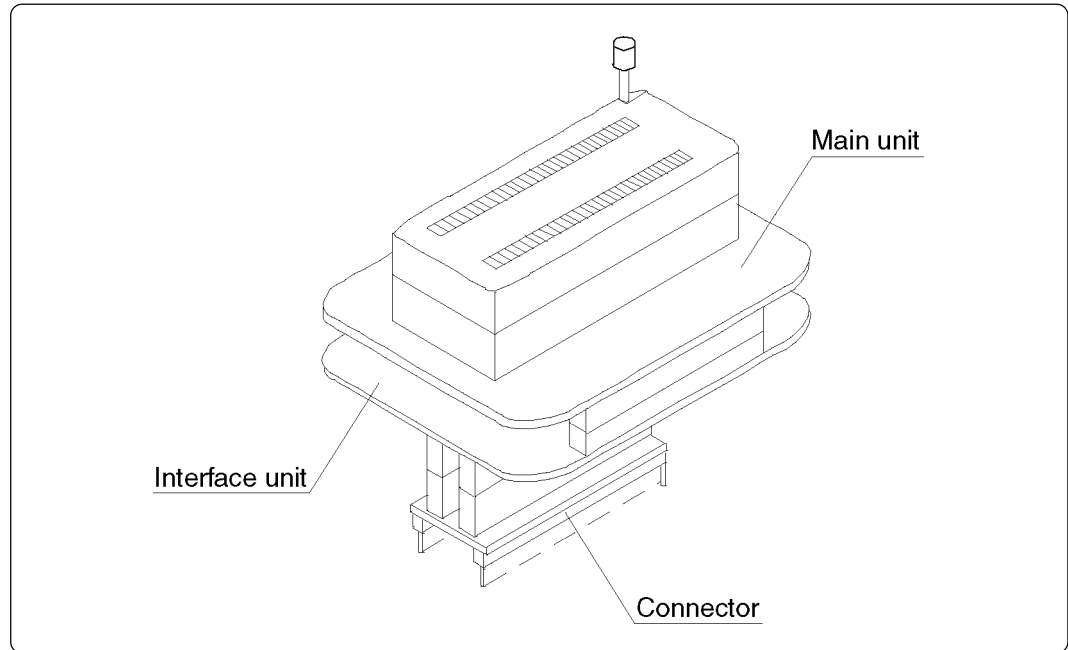


Figure 2.1 External view and constituent parts

2.1 Things to Check When Unpacking

This product consists of the items listed in Table 2.1. Check to see that it contains all of the items.

Table 2.1 Contents

Main unit	PCA7412E4S-64
Interface unit	PCA7412C
Connector	PCA7402E (32-pin)
User's manual	This manual

If any part is missing or there is any doubt about your product package, contact your local distributor.

3. Specifications

Table 3.1 lists the common specifications of the programming adapters, and Table 3.2 lists the specifications of the PCA7412E4S-64.

Table 3.1 Common specifications of the programming adapters

Item		Description
Operating clock frequency		8 MHz (Supplied by the mounted ceramic oscillator)
Power supply		Supplied from Vcc of the PROM programmer
Board configuration	Main unit	Board to insert a programmable MCU (IC socket mounted on it)
	PCA7412C (Interface unit)	Interface board (Buffer IC mounted on it) (Connected by two rows of standard-pitch 20-pin connectors and two rows of standard-pitch 16-pin connectors to the upper and lower boards)
	PCA7402E (Connector)	Board to connect to the PROM programmer (Standard-pitch 32-pin pin-header mounted)

Table 3.2 Specifications of PCA7412E4S-64

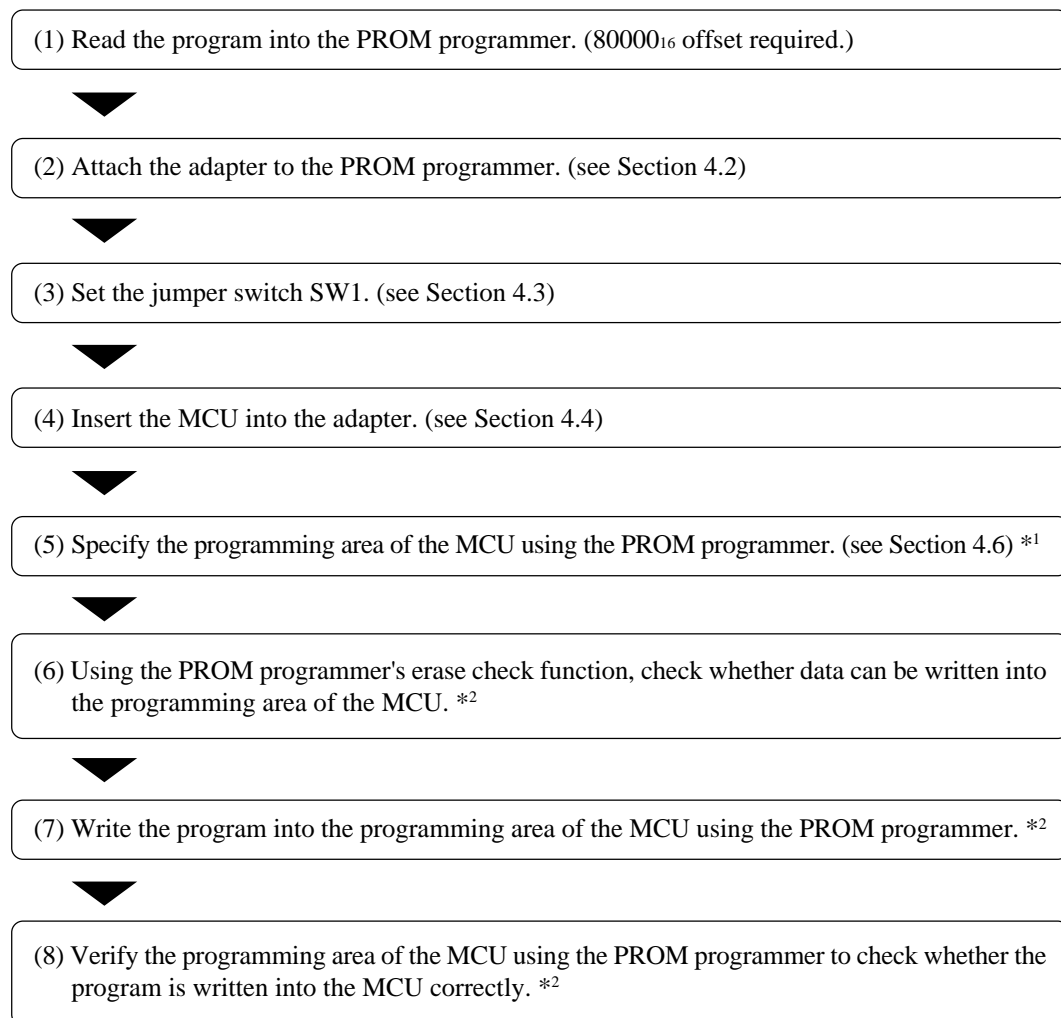
Product name	Item	Description
PCA7412E4S-64	MCU	M306V5EESP (64-pin 1.778-mm-pitch SDIP)
	IC socket	264-1300-00-0602J (Sumitomo 3M Limited)

4. How to Write the Program

This chapter describes how to write programs with a PROM programmer. For details on how to operate the PROM programmer, refer to the user's manual of the PROM programmer.

4.1 Programming Procedures

Follow procedures (1) to (8) to write programs into the MCU.



Notes:

*1 **Be sure to set the programming area. Otherwise the mode's shift to the programming mode may not be performed successfully. The erase check function etc. may not also be performed completely.**

*2 Some PROM programmers perform the steps (6) through (8) automatically.

4.2 Attaching the Adapter to a PROM Programmer

As shown in Figure 4.1, attach the No. 1 pin of the PCA7402E connector (standard-pitch 32-pin pin-header mounted) to the No. 1 pin of the IC socket of the PROM programmer.

Be careful when attaching to the PROM programmer because incorrect insertion can cause fatal damage to the MCU.

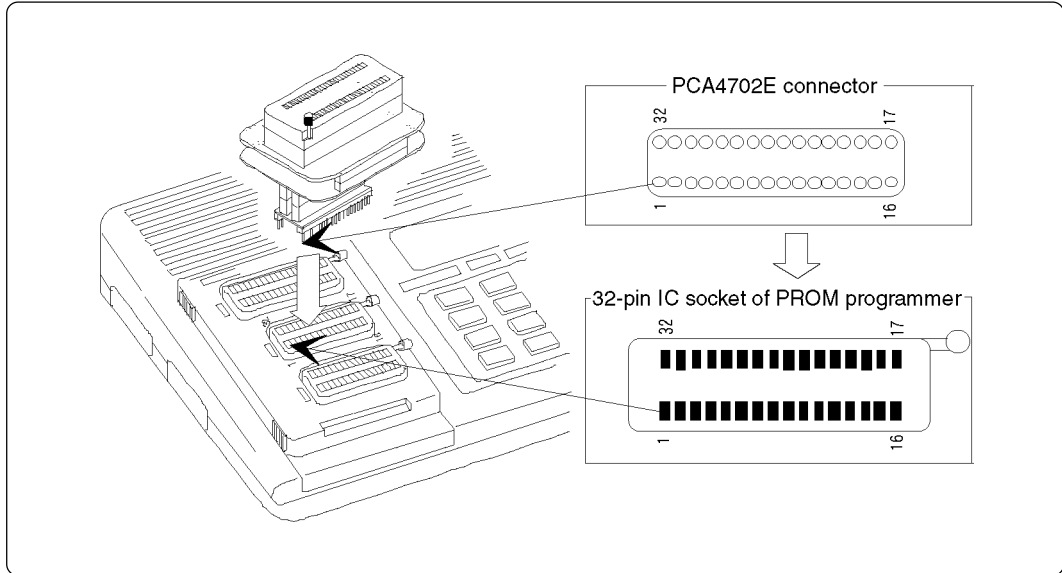


Figure 4.1 Attaching the adapter to a PROM programmer

4.3 Setting the Jumper Switch

(1) Jumper switch SW1

You can not set the SW1 to "1M". Set this switch to "4M" to use.

For details on the jumper switch setting, see Table 4.1 and Figure 4.2.

- SW1: 1M Prohibited
- SW1: 4M To write to OSD/Internal ROM

Table 4.1 Jumper switch setting

	SW1
OSDROM	4M
Internal ROM	4M

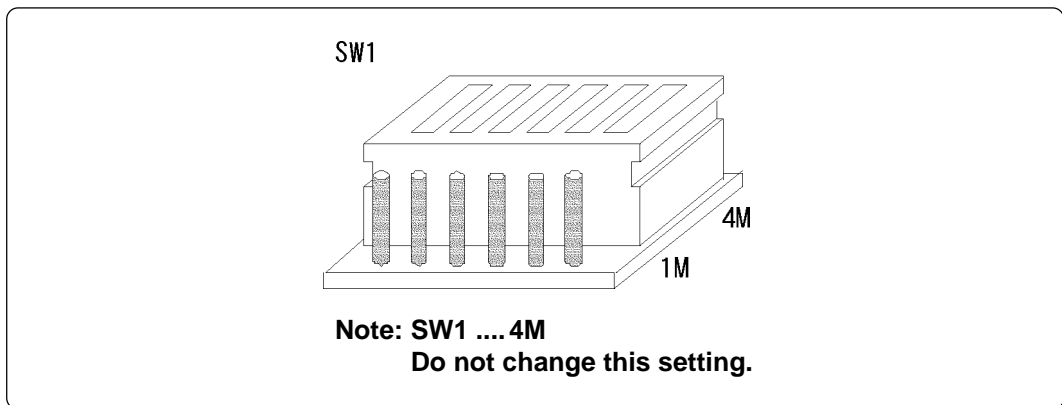


Figure 4.2 Jumper switch setting

4.4 Inserting an MCU into the Programming Adapter

As shown in Figure 4.3, insert the No. 1 pin of the MCU into the No. 1 pin of the IC socket on the main unit.

Be careful when inserting the MCU because incorrect insertion can cause fatal damage to the MCU.

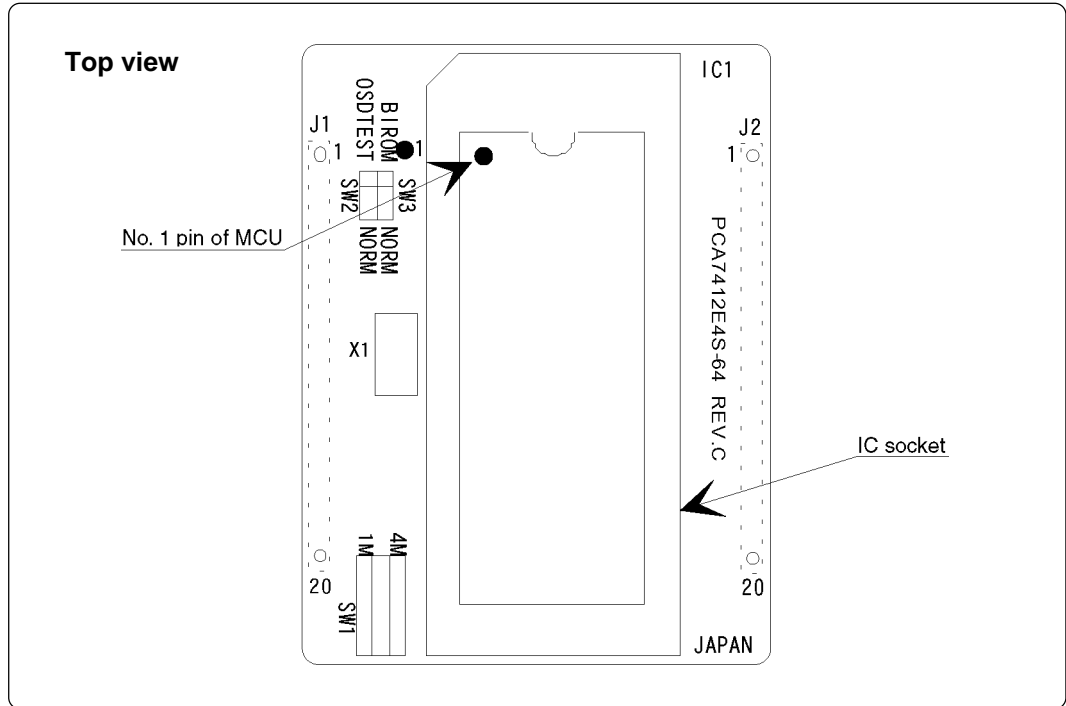


Figure 4.3 Inserting MCU

CAUTION

When Inserting an MCU:

- When inserting and pulling out the MCU, be sure to keep the IC socket side above and horizontal.

4.5 Precautions When Handling the Adapter

Do not directly touch the connector in the IC socket and the pins on the PROM programmer connector, otherwise dirt may cause an electrical insulation failure.

When not using this product, attach the connector pins of this product to the conductive sponge as it was shipped from the factory.

4.6 Setting Programming Area

When writing and erasing programs, be sure to set the programming area. And also, specify its device of the PROM programmer.

Table 4.2 Programming area

MCU type name	ROM size	PROM programmer		Internal ROM area of MCU
		Device	Programming area	
M306V5EESP	OSDROM (128K bytes)	M5M27C401	10000 ₁₆ - 2FFFF ₁₆	90000 ₁₆ - AFFFF ₁₆
	Internal ROM (192K bytes)		50000 ₁₆ - 7FFFF ₁₆	D0000 ₁₆ - FFFFF ₁₆

CAUTION

When Setting the Programming Area:

- (1) Choose the programming mode properly. Incorrect setting may destroy the MCU.
- (2) The programming method in M5M27C401 mode is the byte programming method.

5. Recommended PROM Programmiers

The PROM programmers listed in Table 5.1 are recommended for this product. Using the actual products, we have verified that these PROM programmers can be used to write programs without problem. Nonconformity occurring by using any other PROM programmers can not be supported. For the latest type of PROM programmers, contact the manufacturer to confirm whether it can be used for your product.

Table 5.1 Recommended PROM programmers

Manufacturer	Type name	Device name	Programming voltage (Vpp)
Advantest	R4945	M5M27C401 mode	12.75 V
	R4945A		

CAUTION

Cautions for Recommended PROM Programmiers:

- (1) Choose the programming mode properly. Incorrect setting may destroy the MCU.
- (2) The programming method in M5M27C401 mode is the byte programming method.

6. Memory Map

Figure 6.1 shows memory maps of the MCU and the PROM programmer.

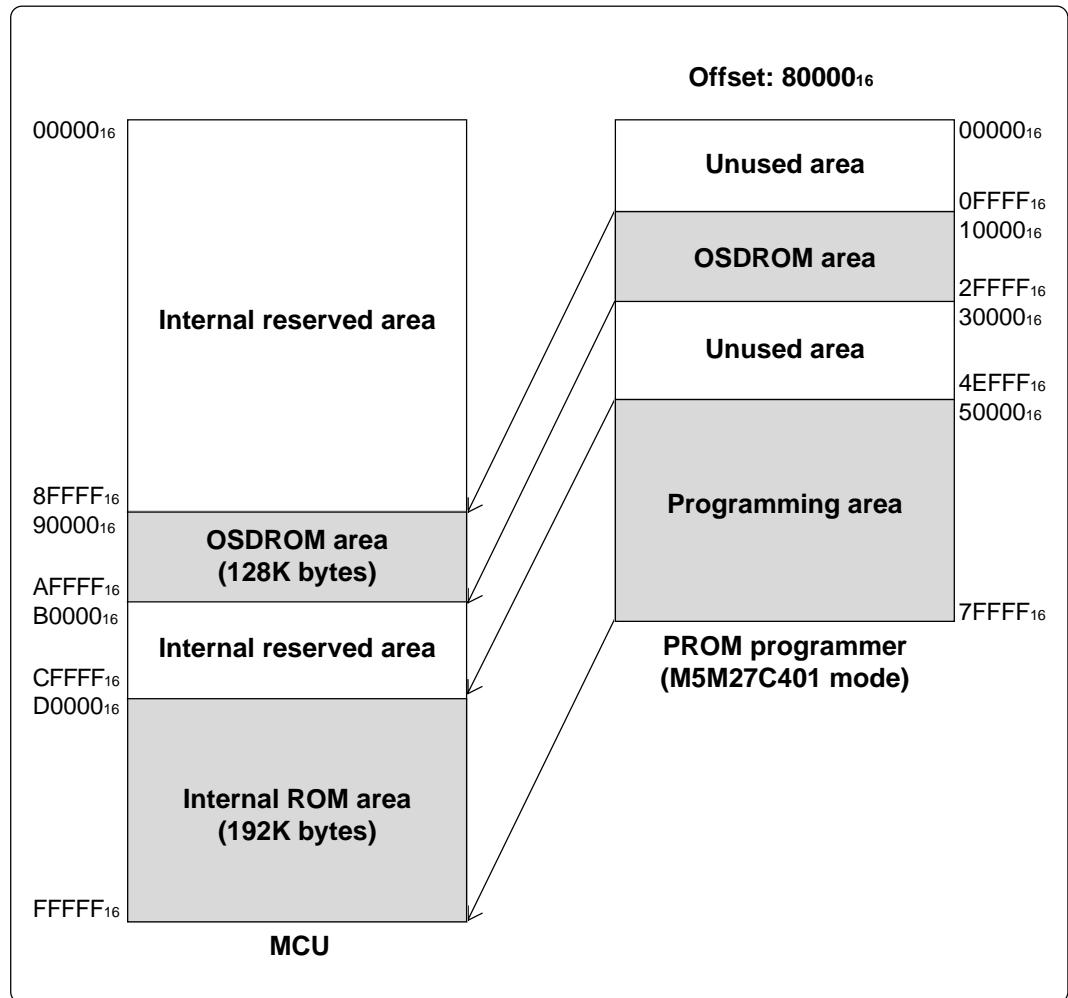


Figure 6.1 Memory map

7. How to Request for Support

After checking this manual, fill in the following information and email to your local distributor.

For prompt response, please specify the following information:

(1) Contact address

- Company name
- Department
- Responsible person
- Phone number
- Fax number
- E-mail address

(2) Product information

- Name of the programming adapter
- Serial number
- Date of purchase
- Target MCU
- Symptoms (Fails blank check/Cannot write a program/Fails verification etc.)
- Detailed symptoms
- How often does the problem occur? (2 out of 10 etc.)
- When did the problem start to occur? (Since purchase/Used to work correctly)
- Type name of the PROM programmer (Advantest R4945A etc.)
- Specified device when writing to PROM (M27C101 etc.)
- Specified programming area when writing to PROM
- Switch settings of the adapter when writing to PROM

PCA7412E4S-64 User's Manual

Rev.1.00
September 1, 2003
REJ10J0337-0100Z

COPYRIGHT ©2003 RENESAS TECHNOLOGY CORPORATION
AND RENESAS SOLUTIONS CORPORATION ALL RIGHTS RESERVED

PCA7412E4S-64
User's Manual



Renesas Electronics Corporation

1753, Shimonumabe, Nakahara-ku, Kawasaki-shi, Kanagawa 211-8668 Japan

REJ10J0337-0100Z