

To our customers,

---

## Old Company Name in Catalogs and Other Documents

---

On April 1<sup>st</sup>, 2010, NEC Electronics Corporation merged with Renesas Technology Corporation, and Renesas Electronics Corporation took over all the business of both companies. Therefore, although the old company name remains in this document, it is a valid Renesas Electronics document. We appreciate your understanding.

Renesas Electronics website: <http://www.renesas.com>

April 1<sup>st</sup>, 2010  
Renesas Electronics Corporation

Issued by: Renesas Electronics Corporation (<http://www.renesas.com>)

Send any inquiries to <http://www.renesas.com/inquiry>.

## Notice

1. All information included in this document is current as of the date this document is issued. Such information, however, is subject to change without any prior notice. Before purchasing or using any Renesas Electronics products listed herein, please confirm the latest product information with a Renesas Electronics sales office. Also, please pay regular and careful attention to additional and different information to be disclosed by Renesas Electronics such as that disclosed through our website.
2. Renesas Electronics does not assume any liability for infringement of patents, copyrights, or other intellectual property rights of third parties by or arising from the use of Renesas Electronics products or technical information described in this document. No license, express, implied or otherwise, is granted hereby under any patents, copyrights or other intellectual property rights of Renesas Electronics or others.
3. You should not alter, modify, copy, or otherwise misappropriate any Renesas Electronics product, whether in whole or in part.
4. Descriptions of circuits, software and other related information in this document are provided only to illustrate the operation of semiconductor products and application examples. You are fully responsible for the incorporation of these circuits, software, and information in the design of your equipment. Renesas Electronics assumes no responsibility for any losses incurred by you or third parties arising from the use of these circuits, software, or information.
5. When exporting the products or technology described in this document, you should comply with the applicable export control laws and regulations and follow the procedures required by such laws and regulations. You should not use Renesas Electronics products or the technology described in this document for any purpose relating to military applications or use by the military, including but not limited to the development of weapons of mass destruction. Renesas Electronics products and technology may not be used for or incorporated into any products or systems whose manufacture, use, or sale is prohibited under any applicable domestic or foreign laws or regulations.
6. Renesas Electronics has used reasonable care in preparing the information included in this document, but Renesas Electronics does not warrant that such information is error free. Renesas Electronics assumes no liability whatsoever for any damages incurred by you resulting from errors in or omissions from the information included herein.
7. Renesas Electronics products are classified according to the following three quality grades: “Standard”, “High Quality”, and “Specific”. The recommended applications for each Renesas Electronics product depends on the product’s quality grade, as indicated below. You must check the quality grade of each Renesas Electronics product before using it in a particular application. You may not use any Renesas Electronics product for any application categorized as “Specific” without the prior written consent of Renesas Electronics. Further, you may not use any Renesas Electronics product for any application for which it is not intended without the prior written consent of Renesas Electronics. Renesas Electronics shall not be in any way liable for any damages or losses incurred by you or third parties arising from the use of any Renesas Electronics product for an application categorized as “Specific” or for which the product is not intended where you have failed to obtain the prior written consent of Renesas Electronics. The quality grade of each Renesas Electronics product is “Standard” unless otherwise expressly specified in a Renesas Electronics data sheets or data books, etc.
  - “Standard”: Computers; office equipment; communications equipment; test and measurement equipment; audio and visual equipment; home electronic appliances; machine tools; personal electronic equipment; and industrial robots.
  - “High Quality”: Transportation equipment (automobiles, trains, ships, etc.); traffic control systems; anti-disaster systems; anti-crime systems; safety equipment; and medical equipment not specifically designed for life support.
  - “Specific”: Aircraft; aerospace equipment; submersible repeaters; nuclear reactor control systems; medical equipment or systems for life support (e.g. artificial life support devices or systems), surgical implantations, or healthcare intervention (e.g. excision, etc.), and any other applications or purposes that pose a direct threat to human life.
8. You should use the Renesas Electronics products described in this document within the range specified by Renesas Electronics, especially with respect to the maximum rating, operating supply voltage range, movement power voltage range, heat radiation characteristics, installation and other product characteristics. Renesas Electronics shall have no liability for malfunctions or damages arising out of the use of Renesas Electronics products beyond such specified ranges.
9. Although Renesas Electronics endeavors to improve the quality and reliability of its products, semiconductor products have specific characteristics such as the occurrence of failure at a certain rate and malfunctions under certain use conditions. Further, Renesas Electronics products are not subject to radiation resistance design. Please be sure to implement safety measures to guard them against the possibility of physical injury, and injury or damage caused by fire in the event of the failure of a Renesas Electronics product, such as safety design for hardware and software including but not limited to redundancy, fire control and malfunction prevention, appropriate treatment for aging degradation or any other appropriate measures. Because the evaluation of microcomputer software alone is very difficult, please evaluate the safety of the final products or system manufactured by you.
10. Please contact a Renesas Electronics sales office for details as to environmental matters such as the environmental compatibility of each Renesas Electronics product. Please use Renesas Electronics products in compliance with all applicable laws and regulations that regulate the inclusion or use of controlled substances, including without limitation, the EU RoHS Directive. Renesas Electronics assumes no liability for damages or losses occurring as a result of your noncompliance with applicable laws and regulations.
11. This document may not be reproduced or duplicated, in any form, in whole or in part, without prior written consent of Renesas Electronics.
12. Please contact a Renesas Electronics sales office if you have any questions regarding the information contained in this document or Renesas Electronics products, or if you have any other inquiries.

(Note 1) “Renesas Electronics” as used in this document means Renesas Electronics Corporation and also includes its majority-owned subsidiaries.

(Note 2) “Renesas Electronics product(s)” means any product developed or manufactured by or for Renesas Electronics.

# M34570T-MCU

User's Manual

MCU Board for PC4504 Emulator System

MS-DOS is a registered trademark of Microsoft Corporation.  
IBM and AT are registered trademarks of International Business Machines Corporation.

#### **Keep safety first in your circuit designs!**

- Renesas Technology Corporation and Renesas Solutions Corporation put the maximum effort into making semiconductor products better and more reliable, but there is always the possibility that trouble may occur with them. Trouble with semiconductors may lead to personal injury, fire or property damage. Remember to give due consideration to safety when making your circuit designs, with appropriate measures such as (i) placement of substitutive, auxiliary circuits, (ii) use of nonflammable material or (iii) prevention against any malfunction or mishap.

#### **Notes regarding these materials**

- These materials are intended as a reference to assist our customers in the selection of the Renesas Technology product best suited to the customer's application; they do not convey any license under any intellectual property rights, or any other rights, belonging to Renesas Technology Corporation, Renesas Solutions Corporation or a third party.
- Renesas Technology Corporation and Renesas Solutions Corporation assume no responsibility for any damage, or infringement of any third-party's rights, originating in the use of any product data, diagrams, charts, programs, algorithms, or circuit application examples contained in these materials.
- All information contained in these materials, including product data, diagrams, charts, programs and algorithms represents information on products at the time of publication of these materials, and are subject to change by Renesas Technology Corporation and Renesas Solutions Corporation without notice due to product improvements or other reasons. It is therefore recommended that customers contact Renesas Technology Corporation, Renesas Solutions Corporation or an authorized Renesas Technology product distributor for the latest product information before purchasing a product listed herein. The information described here may contain technical inaccuracies or typographical errors. Renesas Technology Corporation and Renesas Solutions Corporation assume no responsibility for any damage, liability, or other loss rising from these inaccuracies or errors. Please also pay attention to information published by Renesas Technology Corporation and Renesas Solutions Corporation by various means, including the Renesas home page (<http://www.renesas.com>).
- When using any or all of the information contained in these materials, including product data, diagrams, charts, programs, and algorithms, please be sure to evaluate all information as a total system before making a final decision on the applicability of the information and products. Renesas Technology Corporation and Renesas Solutions Corporation assume no responsibility for any damage, liability or other loss resulting from the information contained herein.
- Renesas Technology semiconductors are not designed or manufactured for use in a device or system that is used under circumstances in which human life is potentially at stake. Please contact Renesas Technology Corporation, Renesas Solutions Corporation or an authorized Renesas Technology product distributor when considering the use of a product contained herein for any specific purposes, such as apparatus or systems for transportation, vehicular, medical, aerospace, nuclear, or undersea repeater use.
- The prior written approval of Renesas Technology Corporation and Renesas Solutions Corporation is necessary to reprint or reproduce in whole or in part these materials.
- If these products or technologies are subject to the Japanese export control restrictions, they must be exported under a license from the Japanese government and cannot be imported into a country other than the approved destination. Any diversion or reexport contrary to the export control laws and regulations of Japan and/or the country of destination is prohibited.
- Please contact Renesas Technology Corporation or Renesas Solutions Corporation for further details on these materials or the products contained therein.

#### **Precautions to be taken when using this product**

- This product is a development supporting unit for use in your program development and evaluation stages. In mass-producing your program you have finished developing, be sure to make a judgment on your own risk that it can be put to practical use by performing integration test, evaluation, or some experiment else.
- In no event shall Renesas Solutions Corporation be liable for any consequence arising from the use of this product.
- Renesas Solutions Corporation strives to renovate or provide a workaround for product malfunction at some charge or without charge. However, this does not necessarily mean that Renesas Solutions Corporation guarantees the renovation or the provision under any circumstances.
- This product has been developed by assuming its use for program development and evaluation in laboratories. Therefore, it does not fall under the application of Electrical Appliance and Material Safety Law and protection against electromagnetic interference when used in Japan.
- This product is not qualified under UL or other safety standards and IEC or other industry standards. This fact must be taken into account when bringing the product from Japan to some other country.

For inquiries about the contents of this document or product, fill in the text file the installer of the emulator debugger generates in the following directory and email to your local distributor.

\\SUPPORT\Product-name\SUPPORT.TXT

Renesas Tools Homepage <http://www.renesas.com/en/tools>

# Contents

Preface .....	4
1. Precautions for Safety .....	5
1.1 Safety Symbols and Meanings .....	5
2. Handling Precautions .....	9
3. Contents of the M34570T-MCU Package .....	11
3.1 Things to Check When Unpacking .....	11
3.2 Other Necessary Products .....	11
4. M34570T-MCU .....	13
4.1 Outline .....	13
4.2 Specifications .....	14
4.3 Description of Switches .....	15
4.4 Description of Connectors .....	16
4.5 Connection to the Target System .....	19
4.6 LED .....	21
5. Precautions to be Taken When Debugging .....	23
5.1 Reset .....	23
5.2 System Clock .....	23
5.3 Real-time Capability of Timer .....	23
5.4 Watchdog Timer .....	24
5.5 Low-voltage Detection .....	24
5.6 P0, P1 Port Pullup .....	24
5.7 Port I/O Timing .....	25
5.8 Power-down Mode .....	26
5.9 Program Execution (G, GB) .....	27
5.10 External Trigger .....	29
6. Connection Circuit Diagram .....	31
Appendix A .....	32

# Preface

This user's manual describes the specifications of the M34570T-MCU emulator board for Renesas 4570 group of 4-bit single-chip microcomputers. M34570T-MCU is an MCU board for the PC4504 emulator. For the PC4504 emulator main unit and the M3T-PD45 emulator debugger, refer to each user's manual.

## To use the product properly

### Precautions for Safety





- In both this User's Manual and on the product itself, several icons are used to insure proper handling of this product and also to prevent injuries to you or other persons, or damage to your properties.
- The icons' graphic images and meanings are given in "Chapter 1. Precautions for Safety". Be sure to read this chapter before using the product.

# 1. Precautions for Safety


In both the user's manual and on the product itself, several icons are used to insure proper handling of this product and also to prevent injuries to you or other persons, or damage to your properties.


This chapter describes the precautions which should be taken in order to use this product safely and properly. Be sure to read this chapter before using this product.


## 1.1 Safety Symbols and Meanings

	<b>WARNING</b>	If the requirements shown in the "WARNING" sentences are ignored, the equipment may cause serious personal injury or death.
	<b>CAUTION</b>	If the requirements shown in the "CAUTION" sentences are ignored, the equipment may malfunction.
	<b>IMPORTANT</b>	It means important information on using this product.

In addition to the three above, the following are also used as appropriate.

△ means WARNING or CAUTION.  
Example:  **CAUTION AGAINST AN ELECTRIC SHOCK**

⊘ means PROHIBITION.  
Example:  **DISASSEMBLY PROHIBITED**

● means A FORCIBLE ACTION.  
Example:  **UNPLUG THE POWER CABLE FROM THE RECEPTACLE.**

The following pages describe the symbols "WARNING", "CAUTION", and "IMPORTANT".

## **WARNING**

### **Warning for Installation:**



- Do not set this product in water or areas of high humidity. Make sure that the main unit does not get wet. Spilling water or some other liquid into the main unit can cause an unreparable damage.

### **Warning for Use Environment:**



- This equipment is to be used in an environment with a maximum ambient temperature of 35°C. Care should be taken that this temperature is not exceeded.

## **CAUTION**

### **Cautions to Be Taken for This Product:**

- Do not disassemble or modify this product. Disassembling or modifying this product can cause damage. Disassembling and modifying the product will void your warranty.
- Use caution when handling the main unit. Be careful not to apply a mechanical shock.
- Do not pull the emulator probe (80-wire half-pitch cable or 40-wire normal-pitch cable) to disconnect from the emulator main unit.
- Do not use inch-size screws for this equipment. The screws used in this equipment are all ISO (meter-size) type screws. When replacing screws, use same type screws as equipped before.



# IMPORTANT

## Notes on Differences between Actual MCU and Emulator:

- Emulator operation differs from emulation of a mask MCU, as listed below. For details refer to "Chapter 5. Precautions to be Taken When Debugging".
  - (1) Reset condition
  - (2) Initial values of internal resource data at power-on
  - (3) Internal ROM and RAM capacities, etc.
  - (4) Electrical characteristics
  - (5) Operation in the power-down mode
  - (6) Operation of the watchdog timer function
- Therefore, always be sure to evaluate your system with an evaluation MCU (onetime version). Also, be sure to perform board-mounted evaluation with ES (Engineering Sample) version MCU to make final confirmation of device operation before starting mask production.

## Note on the Target System:

- The operating voltage of the M34570T-MCU is +3.0 V or +5.0 V. Therefore the target's supply voltage should be in the range of +3.0V  $\pm$ 10% or 5.0V  $\pm$ 10%.

## Notes on Connecting the Target System:

- When connecting the emulator probe, be careful to the wrong connection.
- When connecting the emulator probe, be careful to the warp of the cable. The warp may cause breaking the wire.

# MEMO

## 2. Handling Precautions

When using the M34570T-MCU board, pay attention to the following:

(1) About the emulator

To use the M34570T-MCU board, you always need to install it on the PC4504 emulator main unit.

(2) About the MCU board installation

Before installing (and removing) the MCU board, always be sure to power off the PC4504 emulator main unit and unplug its power cord from the outlet. For details on how to install and remove the MCU board, see "Chapter 2. Setup" in the PC4504 System User's Manual.

(3) Emulator debugger

When using the M34570T-MCU board to debug your program, you need the M3T-PD45 emulator debugger (sold separately). Be sure to use the data file for 4570 group included with the M3T-PD45 emulator debugger.

(4) Registers that can be operated from M3T-PD45

Table 2.1 lists the registers that can be operated from M3T-PD45 for 4514 group MCUs. The "O" mark in the table means that the register can be operated; the "X" mark means that the register can not be operated.

Table 2.1 Registers that can be operated from M3T-PD45

Register	Reference	Modification	Register	Reference	Modification
PC	O	O	W1	O	O
CY	O	O	W2	O	O
A	O	O	W3	O	O
B	O	O	W5	O	O
X	O	O	C2	X	O
Y	O	O	S1	O	O
Z	O	O	PU0	O	O
D	O	O	K0	O	O
E	O	O	MR	O	O
SP	O	X	R1	X	O
V1	O	O	R2	X	O
V2	O	O	R3L	X	O
I1	O	O	R3H	X	O

(5) About the system clock frequency

When setting bit 3 in the clock control register MR to "0" (high-speed mode, system clock =  $f(X_{IN})$ ), the system clock frequency should be in the following ranges.

- 3V:  $X_{IN} \leq 1.0\text{MHz}$
- 5V:  $X_{IN} \leq 2.0\text{MHz}$

# MEMO

## 3. Contents of the M34570T-MCU Package

### 3.1 Things to Check When Unpacking

Table 3.1 shows the contents of the M34570T-MCU package. When unpacking your M34570T-MCU package, check to see that all of these components are included.

Table 3.1 Contents of M34570T-MCU

Item	Product name	Quantity
1	M34570T-MCU	1
2	80-wire half-pitch cable (40cm)	1
3	40-wire normal-pitch cable (10cm)	1
4	2-wire cable for external trigger signal (50cm)	1
5	PCA4029 pitch converter board	1
6	OSC-2 oscillator circuit board (J1 connector mounted)	1
7	M34570T-MCU English user's manual (this manual)	1
8	M34570T-MCU Japanese user's manual	1

\*1 M34570T-MCU has an oscillator circuit board OSC-2 (for 4.19MHz) that is incorporated when shipped from the factory. In addition, it comes with an oscillator circuit board OSC-2, with only a connector J1 mounted.

\*2 Keep the packaging carton and cushion material of the M34570T-MCU to transport it for repair or for other purposes in the future.

\*3 If you find any item missing or faulty, or any suggestion, contact your local distributor.

### 3.2 Other Necessary Products

To bring forward programs development on the 4570 group of 4-bit microcomputers, the products given below are necessary in addition to those contained in the package above. Get them separately to be ready when necessary.

- (1) Emulator main unit: PC4504
- (2) Emulator debugger: M3T-PD45
- (3) Programming adapter: PCA7425

# MEMO

# 4. M34570T-MCU

## 4.1 Outline

By using with the PC4504 emulator main unit, M34570T-MCU can make up an emulator system which can be operated by a personal computer.

Figure 4.1 shows the development support system configuration.

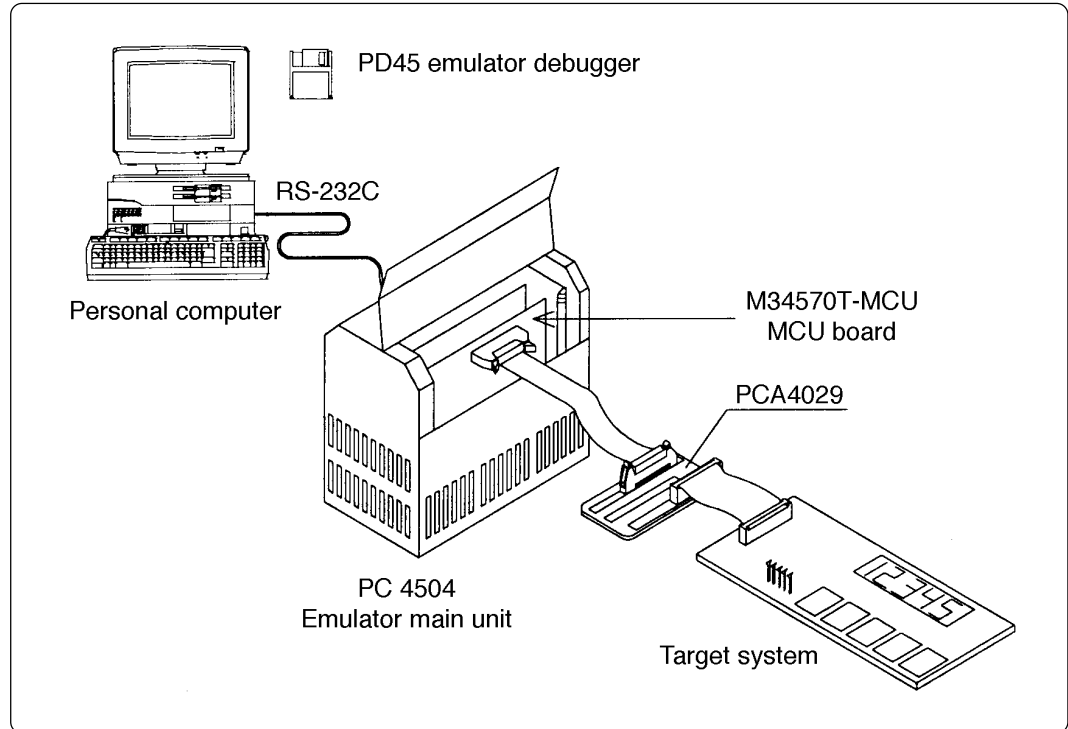


Figure 4.1 Development support system configuration

## 4.2 Specifications

Table 4.1 lists specifications of M34570T-MCU.

Table 4.1 M34570T-MCU Specifications

Applicable MCUs	M34570MX-XXXFP, M34570EXFP			
Evaluation MCU	M34570E8FP (mounted)			
Maximum operating clock frequency	3V	Medium-speed mode:	4.19MHz	
		High-speed mode:	1.0MHz	
	5V	Medium-speed mode:	4.19MHz	
		High-speed mode:	2.0MHz	
Target system voltage	3V or 5V			
Power supply	Supplied by the PC4504's internal power supply (+5V, +12V)			
Port emulation	Port	Output type	Direction	Device used
	D <sub>0</sub> to D <sub>5</sub>	N-channel open drain	output	Input: 74HC541 Output: 74LS06
	P0 <sub>0</sub> to P0 <sub>3</sub>		Input/output	
	P1 <sub>0</sub> to P1 <sub>3</sub>			
	P2 <sub>0</sub> to P2 <sub>1</sub>	-	Input	Input: 74HC08
Board dimensions	233 (L) x 135 (W) x 26 (H) mm			
Operating temperature	5 to 35°C (non-condensing)			
Product configuration	M34570T-MCU 80-wire half-pitch cable 40-wire normal-pitch cable External trigger cable PCA4029 OSC-2 (for changing frequencies)			

\*1 M34570T-MCU has an oscillator circuit board OSC-2 (for 4.19MHz) that is incorporated when shipped from the factory. In addition, it comes with an oscillator circuit board OSC-2, with only a connector J1 mounted.

\*2 M34570T-MCU operates at the medium-speed mode (instruction-clock  $f(X_{IN})/12$ ) immediately after a RESET is released.



### 4.3 Description of Switches

The M34570T-MCU board has three switches. Figure 4.2 shows the positions of these switches. Tables 4.2 list the functions of the switches. Shown in Table 4.2 is the preset switch positions that are set before the MCU board is shipped from the factory.

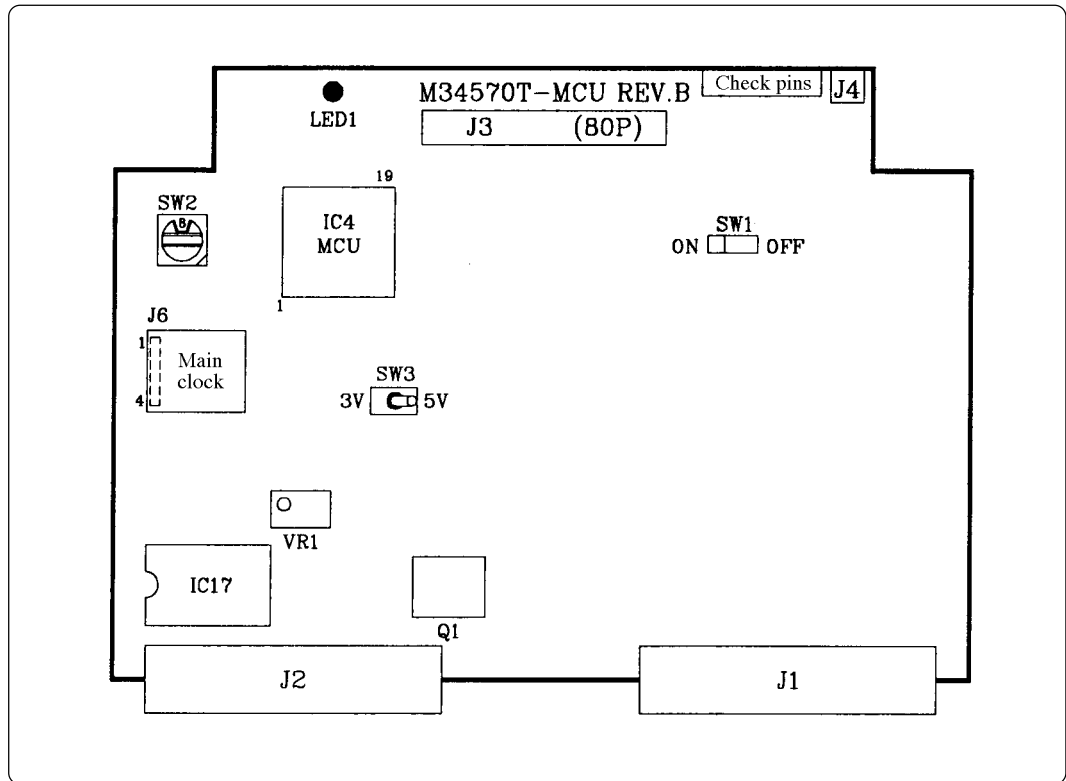





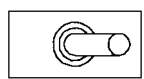
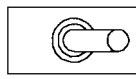
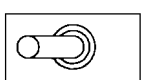


Figure 4.2 Positions of switches

Table 4.2 Functions of switches

	Label	Switch position	Description	Factory-setting
SW1	OFF	ON  OFF	Does not connect the V <sub>DD</sub> of the M34570T-MCU to the V <sub>DD</sub> of the target system.	 OFF
	ON	ON  OFF	Connects the V <sub>DD</sub> of the M34570T-MCU to the V <sub>DD</sub> of the target system.	
SW2	ROMSIZE		Set the MCU's ROM size. <ul style="list-style-type: none"> <li>• Set "4" (M4)</li> <li>• Set "8" (M8)</li> <li>• Set "D" (MD)</li> </ul>	 8
SW3	5V	3V  5V	Operates the target MCU at +5V.	 5V
	3V	3V  5V	Operates the target MCU at +3V.	

## 4.4 Description of Connectors

The M34570T-MCU board has five connectors. Table 4.3 lists the functions of these connectors. Figure 4.3 shows the positions of connectors on the MCU board.

Table 4.3 Connectors

Connector	Function
J1	Connects the evaluation MCU bus.
J2	Connects the monitor CPU bus.
J3	Connects the target system. (80-pin)
J4	Connects the external trigger signal. (2-pin)
J6	Connects the oscillator circuit board. (4-pin)

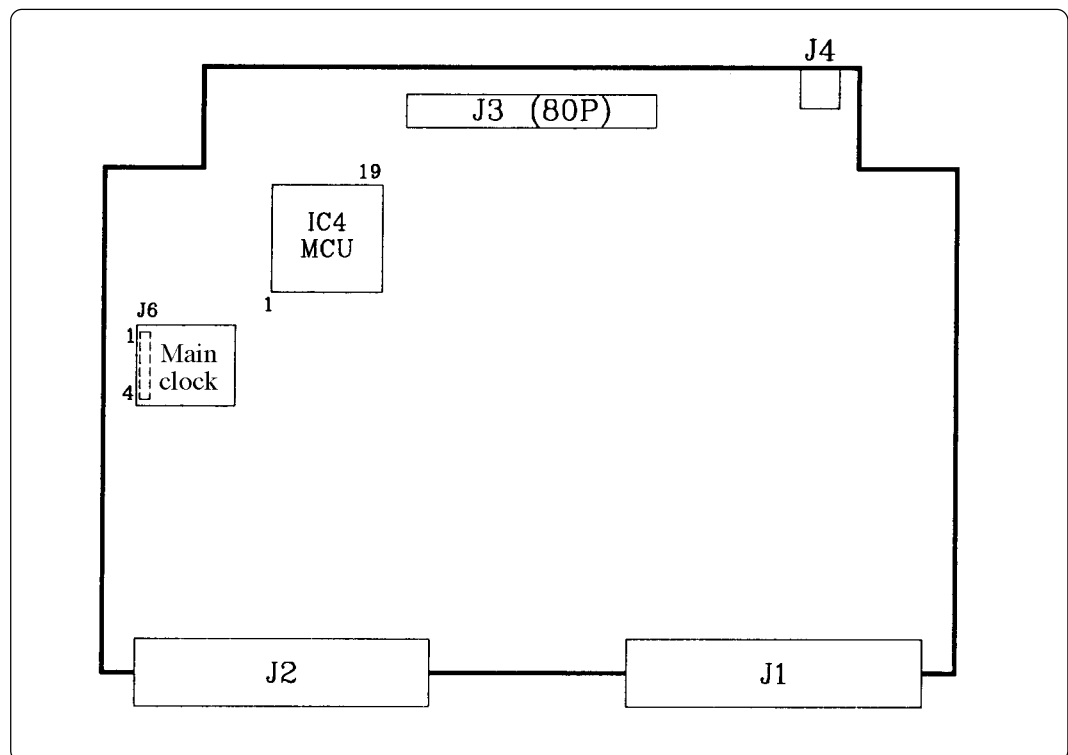


Figure 4.3 Positions of the connectors

(1) Connector J3

Table 4.4 lists the pin assignments of the 80-wire half-pitch connector (J3) for connecting the PCA4029. And Figure 4.4 shows the connector J3 pin layout.

Table 4.4 Pin assignments of the connector J3

Line A			Line B			Line C			Line D		
Pin No.	Signal	I/O	Pin No.	Signal	I/O	Pin No.	Signal	I/O	Pin No.	Signal	I/O
1	GND		1	GND		1	ED2	0	1	ED1	0
2	GND		2	GND		2	ED3	0	2	ED0	0
3	GND		3	GND		3	ED4	0	3	EP13	I/O
4	GND		4	GND		4	ED5	0	4	EP12	I/O
5	GND		5	GND		5	D6	0	5	EP11	I/O
6	GND		6	GND		6	D7	0	6	EP10	I/O
7	GND		7	GND		7	D8	0	7	EP03	I/O
8	GND		8	GND		8	D9/TOUT	0	8	EP02	I/O
9	GND		9	GND		9	EP20	I	9	EP01	I/O
10	GND		10	GND		10	P21/INT	I	10	EP00	I/O
11	GND		11	GND		11	ERESET*	I	11	P43	I
12	GND		12	GND		12	CNVSS	-	12	P42	I
13	GND		13	GND		13	XOUT	-	13	P41	I
14	GND		14	GND		14	XIN	-	14	P40	I
15	GND		15	GND		15	VSS	-	15	P33	I/O
16	GND		16	GND		16	VDCE	I	16	P32	I/O
17	GND		17	GND		17	VDD	-	17	P31	I/O
18	GND		18	GND		18	CARR	0	18	P30	I/O
19	GND		19	GND		19	NC	-	19	NC	-
20	GND		20	GND		20	NC	-	20	NC	-

Note: "I" in the direction column denotes "Input"; "O" denotes "Output"; "I/O" denotes "Input/output"; "-" denotes "Not connected".

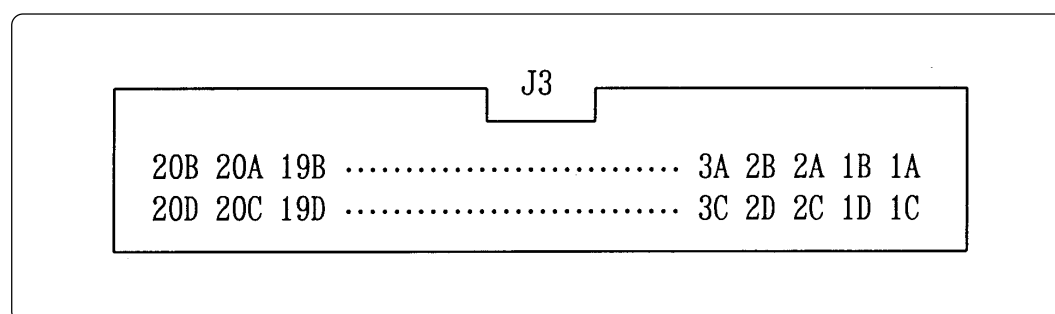


Figure 4.4 Connector J3 pin layout

(2) Connector J4

Use the 2-wire cable for external trigger signals (included) for the connector J4 (for external trigger signals). Connect the black clip of the external trigger cable to GND, and use the white clip for external trigger signal input. External signals are used as external trigger breaks, or event input of trace points by an external trigger. Table 4.5 lists the pin assignments of the connector J4.

Table 4.5 Pin assignments of connector J4

Pin No.	Signal	Function
1	TRIG	External trigger signal input
2	GND	GND input

(3) Connector J6

The connector J6 is a connector used to connect an oscillator circuit board OSC-2. Table 4.6 lists the pin assignments of the connector J6. Figure 4.5 shows the pin layout of the connector J6. For the 4.19MHz operation with the oscillator circuit board OSC-2, see Figure 4.6.

When changing the frequency of the oscillator, use the oscillator circuit board OSC-2 (only the connector J1 mounted) included.

When changing the frequency, the constants depend on the oscillator you use. It's advisable to refer to the values recommended by the manufacturer of the oscillator.

Table 4.6 Pin assignments of connector J6

Pin No.	Signal	Function
1	V <sub>CC</sub>	Power supply
2	GND	GND
3	CLK	Clock input
4	GND	GND

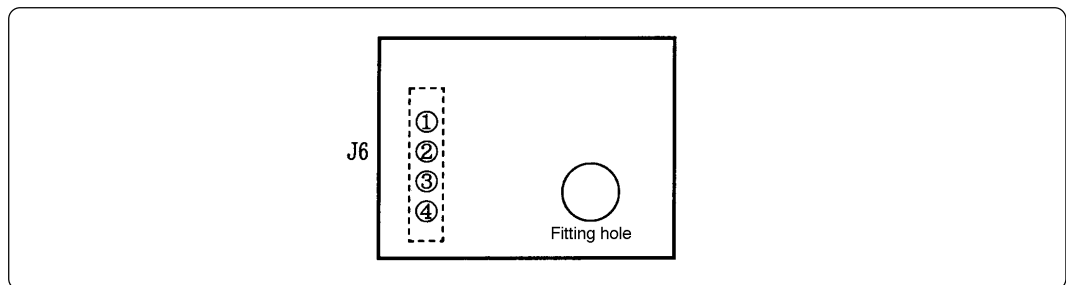


Figure 4.5 Pin layout of connector J6

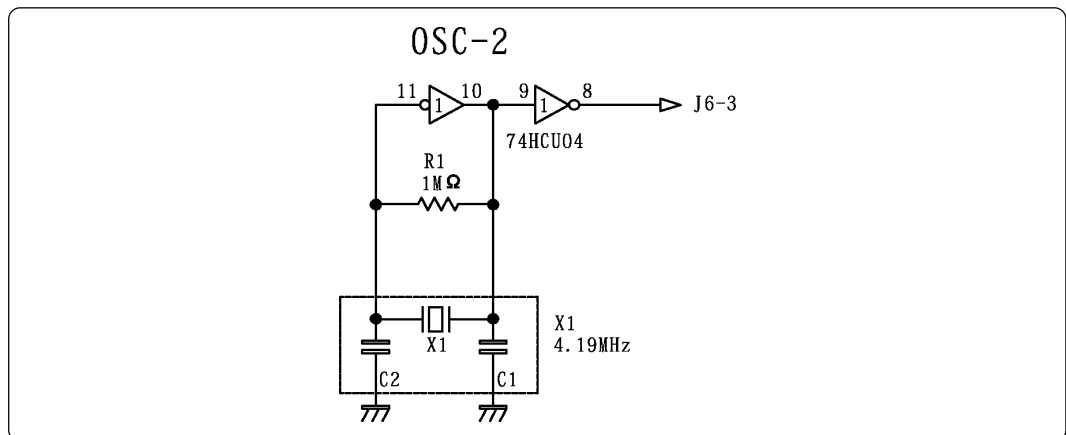


Figure 4.6 Circuit diagram of OSC-2 (4.19MHz)

## 4.5 Connection to the Target System

When connecting the M34570T-MCU board to the target system:

Use the 40-wire normal-pitch cable (included) to connect the 40-pin dual-in-line pins on the target system. Following products are required for connection to the target system.

- 80-wire half-pitch cable (40cm)
- PCA4029 pitch converter board
- 40-wire normal-pitch cable (10cm)

Figure 4.7 depicts the M34570T-MCU board connected to the target system using the 40-wire normal-pitch cable. Table 4.7 lists the connector signal assignments of the 40-wire normal-pitch cable. Figure 4.8 shows the pin layout of the 40-wire normal-pitch cable.

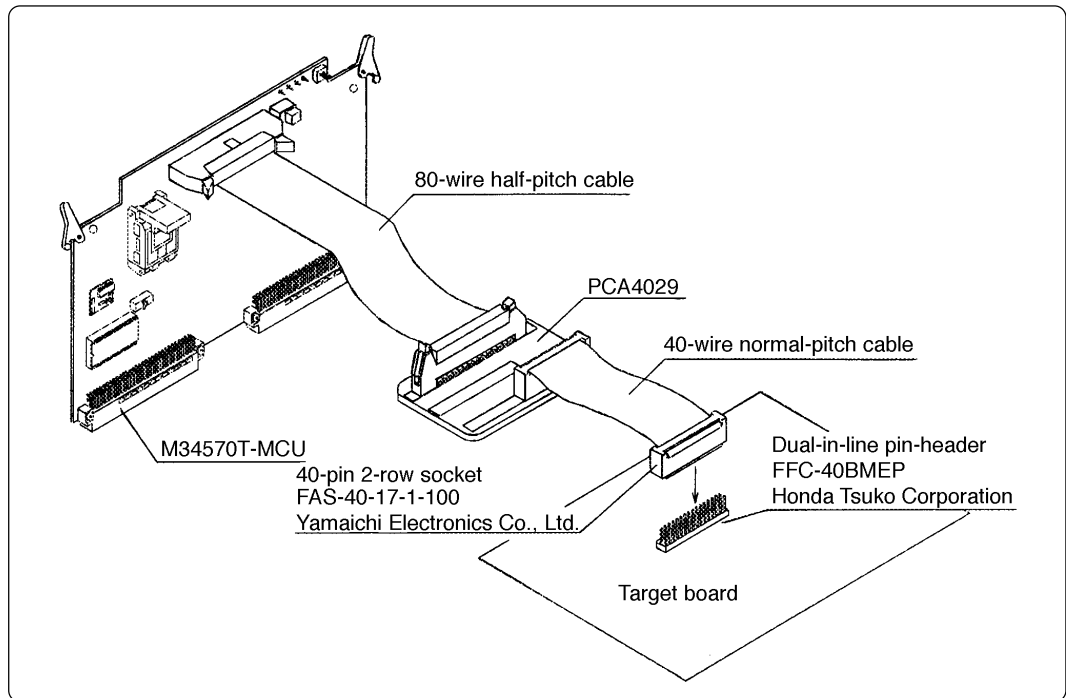


Figure 4.7 Connection to the target system using dual-in-line pins

Table 4.7 40-wire normal-pitch cable pin assignments

Pin No.	Signal	Pin No.	Signal
1	ED2	40	ED1
2	ED3	39	ED0
3	ED4	38	EP13
4	ED5	37	EP12
5	D6	36	EP11
6	D7	35	EP10
7	D8	34	EP03
8	D9/TOUR	33	EP02
9	EP20	32	EP01
10	P21/INT	31	EP00
11	ERESET*	30	P43
12	CNVSS	29	P42
13	XOUT	28	P41
14	XIN	27	P40
15	VSS	26	P33
16	VDCE	25	P32
17	VDD	24	P31
18	CARR	23	P30
19	NC	22	NC
20	NC	21	NC

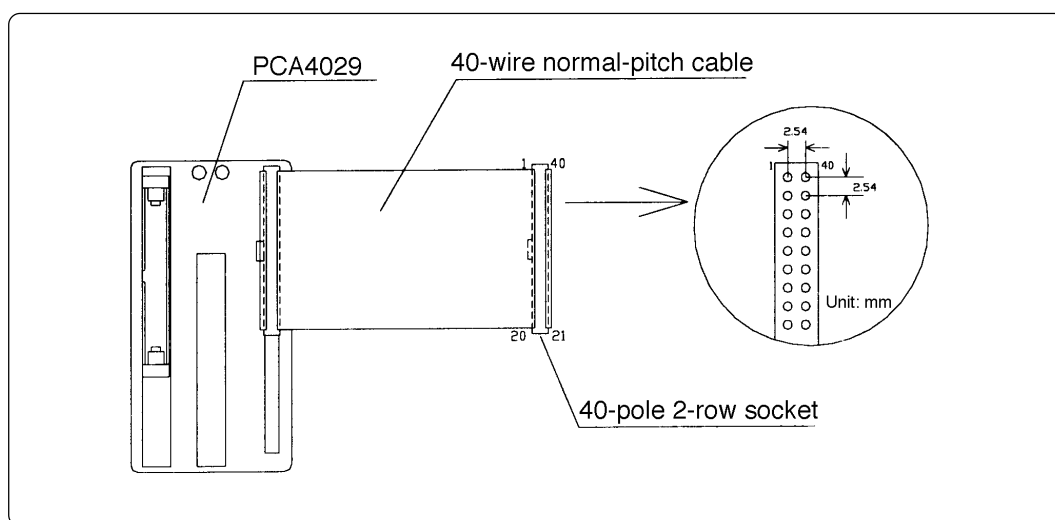


Figure 4.8 Pin layout of 40-wire normal-pitch cable

Some signals connected to the target system are emulated on the M34570T-MCU board. For details, see "Chapter 6. Connection Circuit Diagram".

- Pins connected directly to the target system (5 types, 15 lines)
  - (1) P3<sub>0</sub> to P3<sub>3</sub>
  - (2) P4<sub>0</sub> to P4<sub>3</sub>
  - (3) CARR
  - (4) D<sub>6</sub> to D<sub>9</sub>
  - (5) V<sub>SS</sub>
  - (6) VDCE
- Pins connected to the target system via emulation circuits etc. (6 types, 18 lines)
  - (1) P0<sub>0</sub> to P0<sub>3</sub>
  - (2) P1<sub>0</sub> to P1<sub>3</sub>
  - (3) P2<sub>0</sub> to P2<sub>1</sub>
  - (4) D<sub>0</sub> to D<sub>5</sub>
  - (5) RESET\*
  - (6) V<sub>DD</sub>
- Pins not connected to the target system (3 types, 3 lines)
  - (1) X<sub>IN</sub>
  - (2) X<sub>OUT</sub>
  - (3) CNV<sub>SS</sub>

## 4.6 LED

Figure 4.9 shows the LED layout of M34570T-MCU. The LED lights in green when the power is supplied to the MCU board.

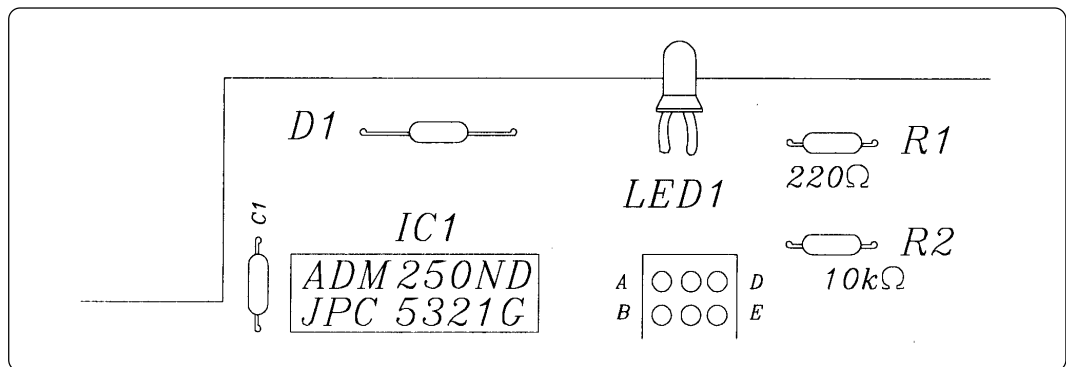


Figure 4.9 Layout of LED

# MEMO



# 5. Precautions to be Taken When Debugging

## 5.1 Reset

The M34570T-MCU uses a 74AC14 for its RESET signal input buffer, so that its electrical characteristics differ from those of the actual chip. Table 5.1 lists the RESET signal input characteristics of the M34570T-MCU.

Table 5.1 RESET signal input characteristics

Item	Symbol	Voltage	Minimum	Maximum
H-level threshold voltage	V <sub>P</sub>	V <sub>CC</sub> =3.0V	-	2.2V
		V <sub>CC</sub> =4.5V	-	3.2V
		V <sub>CC</sub> =5.5V	-	3.9V
L-level threshold voltage	V <sub>N</sub>	V <sub>CC</sub> =3.0V	0.5V	-
		V <sub>CC</sub> =4.5V	0.9V	-
		V <sub>CC</sub> =5.5V	1.1V	-
Hysteresis voltage	V <sub>H</sub>	V <sub>CC</sub> =3.0V	0.3V	1.2V
		V <sub>CC</sub> =4.5V	0.4V	1.4V
		V <sub>CC</sub> =5.5V	0.5V	1.6V

## 5.2 System Clock

Depending on the supply voltage and operation mode, use one of the following frequencies for the system clock:

- Supply voltage 5V: 4.2MHz or less (medium-speed mode)  
1.0MHz or less (high-speed mode)
- Supply voltage 3V: 4.2MHz or less (medium-speed mode)  
2.0MHz or less (high-speed mode)

To change this clock frequency to suit that of the target system, use the oscillator circuit board OSC-2 (included) with the necessary parts attached.

For details about the oscillation circuit constants, consult your oscillator manufacturer.

## 5.3 Real-time Capability of Timer

The PC4504 and M34570T-MCU have their internal clock operating even during emulation, so that the timer values keep changing.

- Example:
- (1) When single-stepping the program
  - (2) When registers or internal RAM are referenced or modified

## 5.4 Watchdog Timer

The M34570T-MCU does not have an operational watchdog timer. Therefore, use an evaluation MCU (OTP version) to verify the operation associated with a watchdog timer.

The M34570T-MCU outputs a signal whose waveform is shown below from the check pin TP5 during WRST instruction execution cycles. This signal allows you to check the initialization cycle of a watchdog timer.

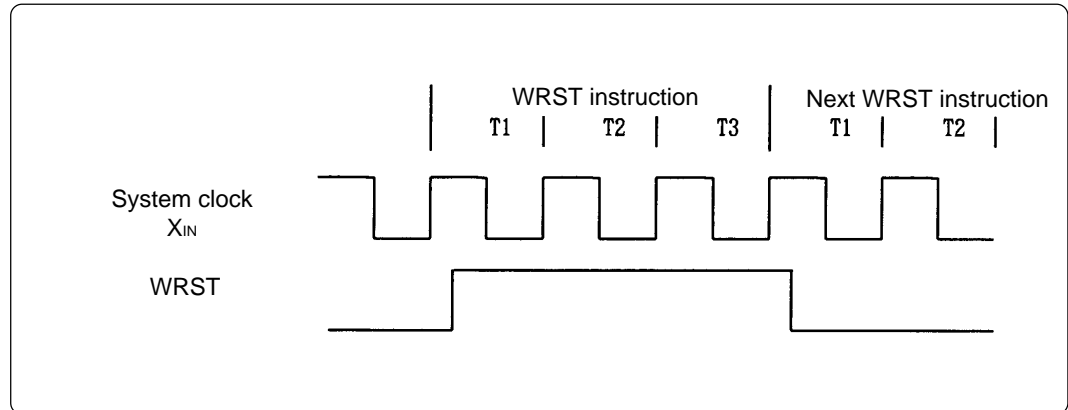


Figure 5.1 Waveform output from check pin TP5

## 5.5 Low-voltage Detection

Because the power to the evaluation MCU of M34570T-MCU is supplied from the M34570T-MCU, low-voltage cannot be detected. To evaluate the operation associated with low-voltage detection, use an evaluation MCU (OTP version).

## 5.6 P0, P1 Port Pullup

Port P0 and P1's (M34570T-MCU) resistance value of the pullup register is 68k $\Omega$ .

## 5.7 Port I/O Timing

### (1) Port input timing

Port input timings are the same as with the actual MCUs.

### (2) Port output timing

When using the M34570T-MCU, output timings are different from those of the actual MCUs for the following ports that are configured with port emulation circuits:

- Ports P0<sub>0</sub> to P0<sub>3</sub>
- Ports P1<sub>0</sub> to P1<sub>3</sub>
- Ports D<sub>0</sub> to D<sub>5</sub>

With the actual MCUs, changes occur at the beginning of the T3 state of an output instruction. With the M34570T-MCU, changes occur at the beginning of the T2 state of the next output instruction. Figure 5.2 shows the port output timings of the actual MCUs and M34570T-MCU. For the other ports, the output timings are the same as with the actual MCUs.

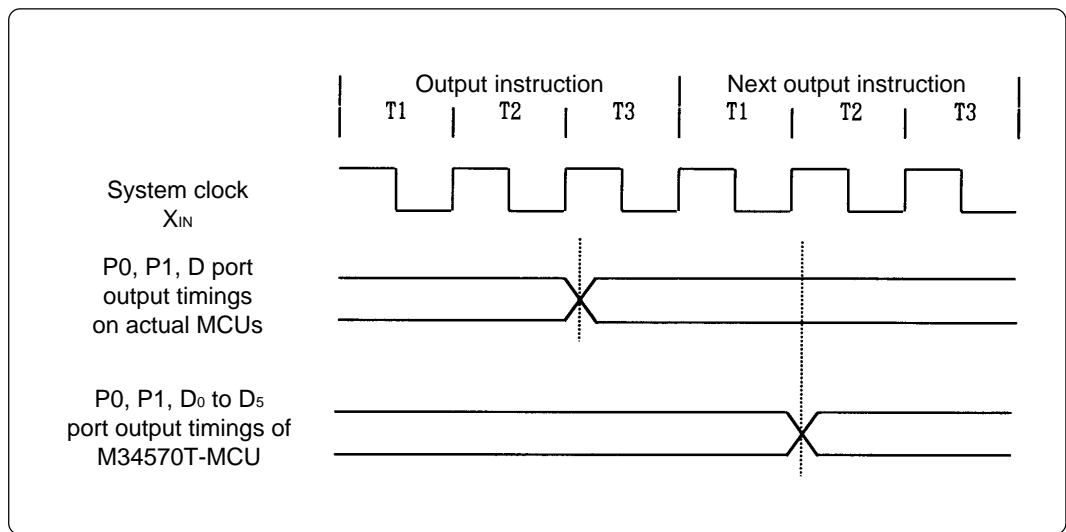


Figure 5.2 P0, P1 and D port output timings

## 5.8 Power-down Mode

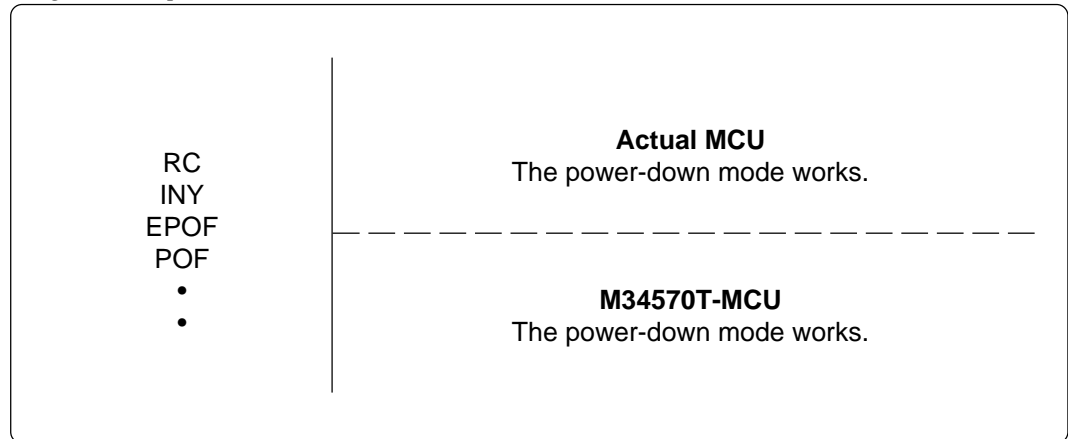
In the power-down mode, the M34570T-MCU operates differently from the actual chip of each MCU.

### (1) Power-down operation of M34570T-MCU

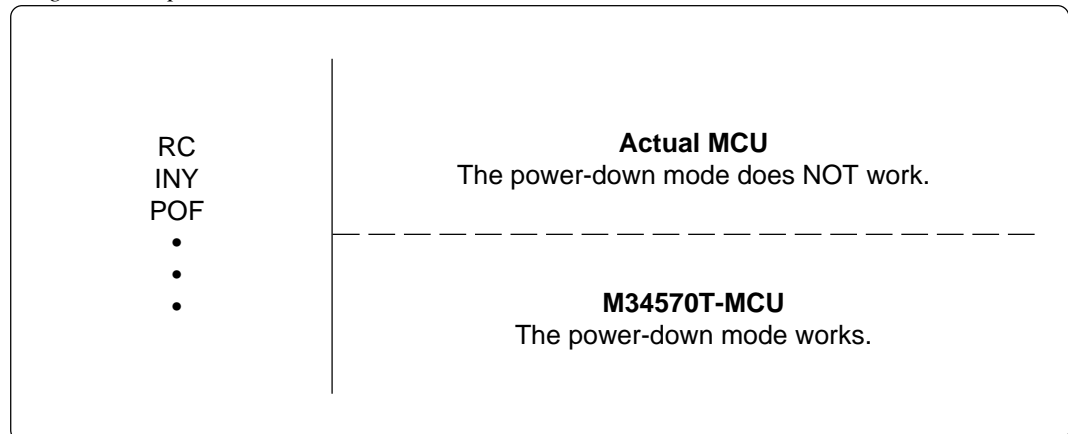
Although the actual chip of each MCU is placed in the power-down mode by executing a combination of EPOF and POF instructions, the M34570T-MCU is placed in the power-down mode by only the POF instruction.

In the M34570T-MCU, the EPOF instruction does not have any effect.

#### *Program example 5.1*



#### *Program example 5.2*



## 5.9 Program Execution (G, GB)

The PC4504 and M34570T-MCU's hardware are subject to the following restrictions with respect to the operation of the program execution commands (G and GB).

### (1) Continuous description of instructions

Hardware breakpoints set in a continuous description of instructions following one after another do not cause a break to occur in the continuous description of instructions. A break occurs only after fetching the address where the continuous description of instructions is discontinued. (See Program example 5.3)

However, a break does occur even in a continuous description of instructions when an external trigger break or forced break is encountered. For execution to be resumed in this case, you need to make sure that the execution start address is next to the continuous description of instructions. (See Program example 5.4)

#### *Program example 5.3*

	LA	0	
POINT:	LA	1	; Continuous description of instructions
	LA	2	
POINT+2:	XAM	3	

If a break is set at POINT, execution is halted immediately before the XAM instruction at address POINT+2.

#### *Program example 5.4*

	LA	0	
POINT:	LA	1	; Continuous description of instructions
POINT+1:	LA	2	
POINT+2:	XAM	3	

If a forced or external trigger break is applied at POINT, execution is halted at POINT+1. When resuming program execution after the break, make sure that the start address is at POINT+2, an address immediately after the continuous description of instructions is discontinued.

(2) Skip instructions (e.g. SNZP, INY, DEY, SZB, SEAM, SZC and RTS)

When a skip instruction skips the next instruction, a breakpoint set in the skipped instruction does not cause execution to halt. (See Program examples 5.5 and 5.6)

*Program example 5.5*

	RC			SC		
	SZC			SZC		
POINT:	TABP			POINT:	TABP	
POINTA:	TAM	0		POINTA:	TAM	0
		•				•
		•				•

A breakpoint set at address POINT causes execution to halt immediately before address POINTA in only the case of the instruction shown on the right side.

*Program example 5.6*

	RC			; Skip instructions
	INY			
POINT:	TABP			
	LA	0		
		•		
		•		

If a break with pass count is set at address POINT, the count is taken and execution is halted only when the instruction at address POINT is executed.

## 5.10 External Trigger

### (1) External trigger signal input timing

The latch timing of the external trigger signal is shown in Figure 5.3.

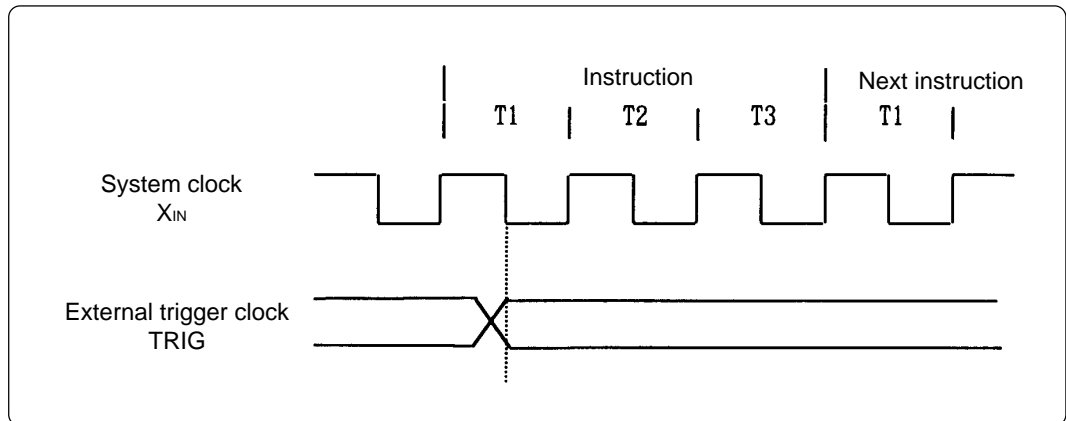


Figure 5.3 Latch timing of external trigger signal

### (2) External trigger signal input characteristics

Trigger breaks work according to the condition (leading edge/trailing edge) of signals input from the external trace cable. The external trigger signals of the trace points and the external trigger signals of the break points use the same signals.

The input characteristics of the external trigger signals are shown in Table 5.2 below. See the table before using external trigger signals.

Table 5.2 External trigger signal input characteristics

Item	Symbol	Voltage	Maximum	Minimum
H-level input voltage	$V_{IH}$	$V_{CC}=2.0V$	-	1.5V
		$V_{CC}=4.5V$	-	3.15V
L-level input voltage	$V_{IL}$	$V_{CC}=2.0V$	0.5V	-
		$V_{CC}=4.5V$	1.35V	-

# MEMO



# 6. Connection Circuit Diagram

Figure 6.1 shows the connection circuit diagram of M34570T-MCU. This circuit diagram depicts the M34570T-MCU connection centering on circuits connected to the target system. Emulator control blocks and other similar circuits that are not connected to the target system are omitted in this diagram.

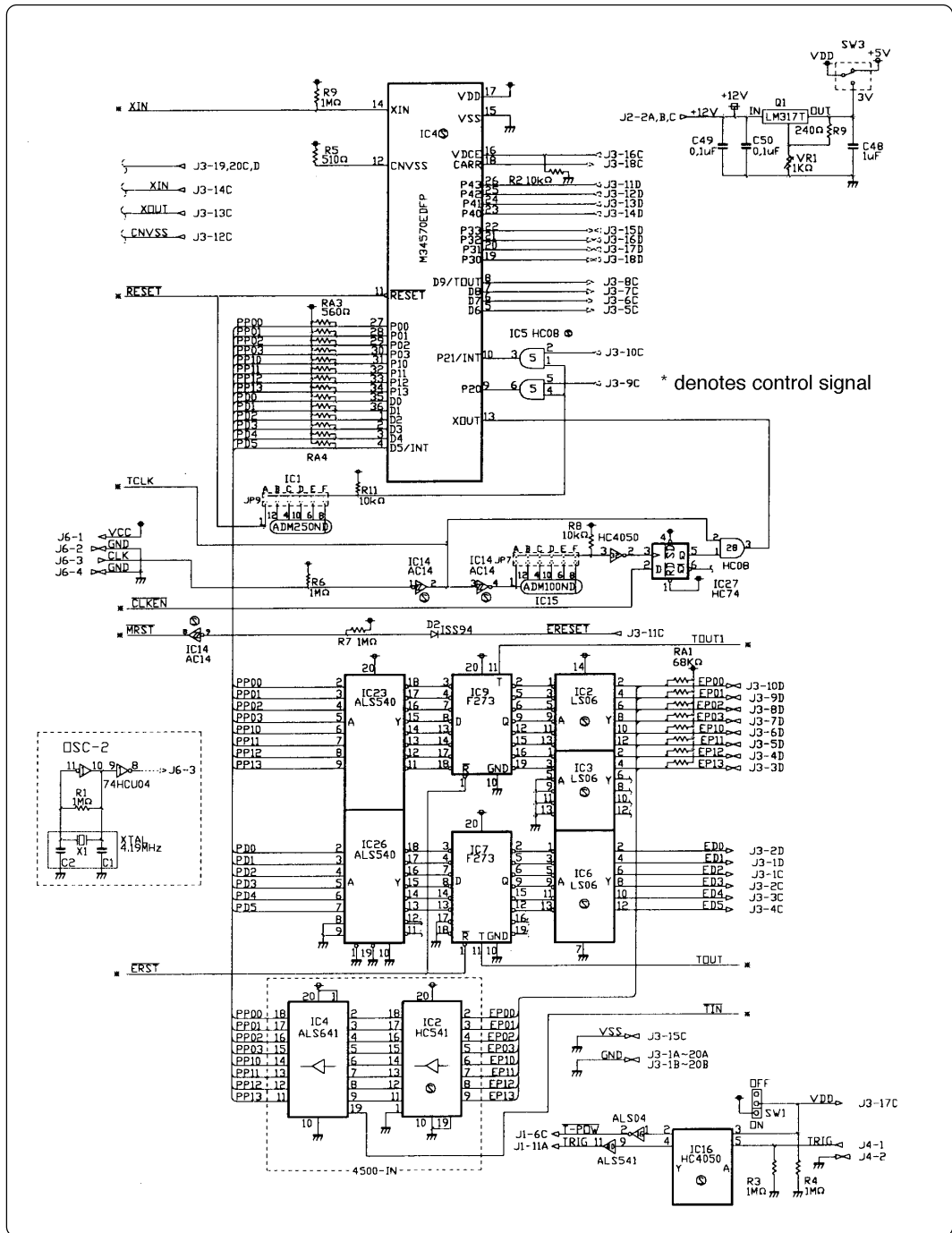


Figure 6.1 Connection circuit diagram

# Appendix A. How to Request for Repair

If your product is found faulty, follow the procedure below to send your product for repair.

## Customer



Fill in the Repair Request Sheet included with this product, then send it along with this product for repair to your local distributor. Make sure that information in the Repair Request Sheet is written in as much detail as possible to facilitate repair.

## Distributor



After checking the contents of fault, the distributor should please send the faulty product along with the Repair Request Sheet to Renesas Solutions Corp.

## Renesas Solutions

When the faulty product is repaired, it will be returned to the customer at the earliest convenience.

## CAUTION

### Note on Transporting the Product:



- When sending your product for repair, use the packing box and cushion material supplied with this product when delivered to you and specify handling caution for it to be handled as precision equipment. If packing of your product is not complete, it may be damaged during transportation. When you pack your product in a bag, make sure to use conductive polyvinyl supplied with this product (usually a blue bag). When you use other bags, they may cause a trouble on your product because of static electricity.

# M34570T-MCU User's Manual

---

Rev.1.00  
September 1, 2003  
REJ10J0277-0100Z

COPYRIGHT ©2003 RENESAS TECHNOLOGY CORPORATION  
AND RENESAS SOLUTIONS CORPORATION ALL RIGHTS RESERVED

# M34570T-MCU User's Manual



**Renesas Electronics Corporation**

1753, Shimonumabe, Nakahara-ku, Kawasaki-shi, Kanagawa 211-8668 Japan

REJ10J0277-0100Z