

To our customers,

Old Company Name in Catalogs and Other Documents

On April 1st, 2010, NEC Electronics Corporation merged with Renesas Technology Corporation, and Renesas Electronics Corporation took over all the business of both companies. Therefore, although the old company name remains in this document, it is a valid Renesas Electronics document. We appreciate your understanding.

Renesas Electronics website: <http://www.renesas.com>

April 1st, 2010
Renesas Electronics Corporation

Issued by: Renesas Electronics Corporation (<http://www.renesas.com>)

Send any inquiries to <http://www.renesas.com/inquiry>.

Notice

1. All information included in this document is current as of the date this document is issued. Such information, however, is subject to change without any prior notice. Before purchasing or using any Renesas Electronics products listed herein, please confirm the latest product information with a Renesas Electronics sales office. Also, please pay regular and careful attention to additional and different information to be disclosed by Renesas Electronics such as that disclosed through our website.
2. Renesas Electronics does not assume any liability for infringement of patents, copyrights, or other intellectual property rights of third parties by or arising from the use of Renesas Electronics products or technical information described in this document. No license, express, implied or otherwise, is granted hereby under any patents, copyrights or other intellectual property rights of Renesas Electronics or others.
3. You should not alter, modify, copy, or otherwise misappropriate any Renesas Electronics product, whether in whole or in part.
4. Descriptions of circuits, software and other related information in this document are provided only to illustrate the operation of semiconductor products and application examples. You are fully responsible for the incorporation of these circuits, software, and information in the design of your equipment. Renesas Electronics assumes no responsibility for any losses incurred by you or third parties arising from the use of these circuits, software, or information.
5. When exporting the products or technology described in this document, you should comply with the applicable export control laws and regulations and follow the procedures required by such laws and regulations. You should not use Renesas Electronics products or the technology described in this document for any purpose relating to military applications or use by the military, including but not limited to the development of weapons of mass destruction. Renesas Electronics products and technology may not be used for or incorporated into any products or systems whose manufacture, use, or sale is prohibited under any applicable domestic or foreign laws or regulations.
6. Renesas Electronics has used reasonable care in preparing the information included in this document, but Renesas Electronics does not warrant that such information is error free. Renesas Electronics assumes no liability whatsoever for any damages incurred by you resulting from errors in or omissions from the information included herein.
7. Renesas Electronics products are classified according to the following three quality grades: “Standard”, “High Quality”, and “Specific”. The recommended applications for each Renesas Electronics product depends on the product’s quality grade, as indicated below. You must check the quality grade of each Renesas Electronics product before using it in a particular application. You may not use any Renesas Electronics product for any application categorized as “Specific” without the prior written consent of Renesas Electronics. Further, you may not use any Renesas Electronics product for any application for which it is not intended without the prior written consent of Renesas Electronics. Renesas Electronics shall not be in any way liable for any damages or losses incurred by you or third parties arising from the use of any Renesas Electronics product for an application categorized as “Specific” or for which the product is not intended where you have failed to obtain the prior written consent of Renesas Electronics. The quality grade of each Renesas Electronics product is “Standard” unless otherwise expressly specified in a Renesas Electronics data sheets or data books, etc.
 - “Standard”: Computers; office equipment; communications equipment; test and measurement equipment; audio and visual equipment; home electronic appliances; machine tools; personal electronic equipment; and industrial robots.
 - “High Quality”: Transportation equipment (automobiles, trains, ships, etc.); traffic control systems; anti-disaster systems; anti-crime systems; safety equipment; and medical equipment not specifically designed for life support.
 - “Specific”: Aircraft; aerospace equipment; submersible repeaters; nuclear reactor control systems; medical equipment or systems for life support (e.g. artificial life support devices or systems), surgical implantations, or healthcare intervention (e.g. excision, etc.), and any other applications or purposes that pose a direct threat to human life.
8. You should use the Renesas Electronics products described in this document within the range specified by Renesas Electronics, especially with respect to the maximum rating, operating supply voltage range, movement power voltage range, heat radiation characteristics, installation and other product characteristics. Renesas Electronics shall have no liability for malfunctions or damages arising out of the use of Renesas Electronics products beyond such specified ranges.
9. Although Renesas Electronics endeavors to improve the quality and reliability of its products, semiconductor products have specific characteristics such as the occurrence of failure at a certain rate and malfunctions under certain use conditions. Further, Renesas Electronics products are not subject to radiation resistance design. Please be sure to implement safety measures to guard them against the possibility of physical injury, and injury or damage caused by fire in the event of the failure of a Renesas Electronics product, such as safety design for hardware and software including but not limited to redundancy, fire control and malfunction prevention, appropriate treatment for aging degradation or any other appropriate measures. Because the evaluation of microcomputer software alone is very difficult, please evaluate the safety of the final products or system manufactured by you.
10. Please contact a Renesas Electronics sales office for details as to environmental matters such as the environmental compatibility of each Renesas Electronics product. Please use Renesas Electronics products in compliance with all applicable laws and regulations that regulate the inclusion or use of controlled substances, including without limitation, the EU RoHS Directive. Renesas Electronics assumes no liability for damages or losses occurring as a result of your noncompliance with applicable laws and regulations.
11. This document may not be reproduced or duplicated, in any form, in whole or in part, without prior written consent of Renesas Electronics.
12. Please contact a Renesas Electronics sales office if you have any questions regarding the information contained in this document or Renesas Electronics products, or if you have any other inquiries.

(Note 1) “Renesas Electronics” as used in this document means Renesas Electronics Corporation and also includes its majority-owned subsidiaries.

(Note 2) “Renesas Electronics product(s)” means any product developed or manufactured by or for Renesas Electronics.

M34551T2-MCU

User's Manual

MCU Board for PC4504 Emulator System

MS-DOS is a registered trademark of Microsoft Corporation of the U.S.
IBM and AT are registered trademarks of International Business Machines Corporation of the U.S.

Keep safety first in your circuit designs!

- Renesas Technology Corporation and Renesas Solutions Corporation put the maximum effort into making semiconductor products better and more reliable, but there is always the possibility that trouble may occur with them. Trouble with semiconductors may lead to personal injury, fire or property damage. Remember to give due consideration to safety when making your circuit designs, with appropriate measures such as (i) placement of substitutive, auxiliary circuits, (ii) use of nonflammable material or (iii) prevention against any malfunction or mishap.

Notes regarding these materials

- These materials are intended as a reference to assist our customers in the selection of the Renesas Technology product best suited to the customer's application; they do not convey any license under any intellectual property rights, or any other rights, belonging to Renesas Technology Corporation, Renesas Solutions Corporation or a third party.
- Renesas Technology Corporation and Renesas Solutions Corporation assume no responsibility for any damage, or infringement of any third-party's rights, originating in the use of any product data, diagrams, charts, programs, algorithms, or circuit application examples contained in these materials.
- All information contained in these materials, including product data, diagrams, charts, programs and algorithms represents information on products at the time of publication of these materials, and are subject to change by Renesas Technology Corporation and Renesas Solutions Corporation without notice due to product improvements or other reasons. It is therefore recommended that customers contact Renesas Technology Corporation, Renesas Solutions Corporation or an authorized Renesas Technology product distributor for the latest product information before purchasing a product listed herein. The information described here may contain technical inaccuracies or typographical errors. Renesas Technology Corporation and Renesas Solutions Corporation assume no responsibility for any damage, liability, or other loss rising from these inaccuracies or errors. Please also pay attention to information published by Renesas Technology Corporation and Renesas Solutions Corporation by various means, including the Renesas home page (<http://www.renesas.com>).
- When using any or all of the information contained in these materials, including product data, diagrams, charts, programs, and algorithms, please be sure to evaluate all information as a total system before making a final decision on the applicability of the information and products. Renesas Technology Corporation and Renesas Solutions Corporation assume no responsibility for any damage, liability or other loss resulting from the information contained herein.
- Renesas Technology semiconductors are not designed or manufactured for use in a device or system that is used under circumstances in which human life is potentially at stake. Please contact Renesas Technology Corporation, Renesas Solutions Corporation or an authorized Renesas Technology product distributor when considering the use of a product contained herein for any specific purposes, such as apparatus or systems for transportation, vehicular, medical, aerospace, nuclear, or undersea repeater use.
- The prior written approval of Renesas Technology Corporation and Renesas Solutions Corporation is necessary to reprint or reproduce in whole or in part these materials.
- If these products or technologies are subject to the Japanese export control restrictions, they must be exported under a license from the Japanese government and cannot be imported into a country other than the approved destination. Any diversion or reexport contrary to the export control laws and regulations of Japan and/or the country of destination is prohibited.
- Please contact Renesas Technology Corporation or Renesas Solutions Corporation for further details on these materials or the products contained therein.

Precautions to be taken when using this product

- This product is a development supporting unit for use in your program development and evaluation stages. In mass-producing your program you have finished developing, be sure to make a judgment on your own risk that it can be put to practical use by performing integration test, evaluation, or some experiment else.
- In no event shall Renesas Solutions Corporation be liable for any consequence arising from the use of this product.
- Renesas Solutions Corporation strives to renovate or provide a workaround for product malfunction at some charge or without charge. However, this does not necessarily mean that Renesas Solutions Corporation guarantees the renovation or the provision under any circumstances.
- This product has been developed by assuming its use for program development and evaluation in laboratories. Therefore, it does not fall under the application of Electrical Appliance and Material Safety Law and protection against electromagnetic interference when used in Japan.

For inquiries about the contents of this document or product, fill in the text file the installer of the emulator debugger generates in the following directory and email to your local distributor.

\\SUPPORT\Product-name\SUPPORT.TXT

Renesas Tools Homepage <http://www.renesas.com/en/tools>

Contents

Preface	4
1. Precautions for Safety	5
1.1 Safety Symbols and Meanings	5
2. Handling Precautions	9
3. Contents of the M34551T2-MCU Package	11
3.1 Things to Check When Unpacking	11
3.2 Other Necessary Products	11
4. M34551T2-MCU	13
4.1 Outline	13
4.2 Specifications	14
4.3 Description of Switches	15
4.4 Description of Connectors	17
4.5 Connection to the Target System	21
4.6 LED	23
5. Using as an Evaluation Board	25
5.1 System Configuration	25
5.2 Mounting the EPROM	25
5.3 Mounting the Rubber Legs	26
5.4 Switch Settings	27
5.5 Connection to the Target System	27
5.6 Connection to the External Power Source	27
5.7 Turning the Power On	27
6. Precautions to Be Taken When Debugging	29
6.1 Reset	29
6.2 System Clock	29
6.3 Real-time Capability of Timer	29
6.4 Watchdog Timer	30
6.5 Pullup Transistors	30
6.6 Port I/O Timing	30
6.7 Characteristics of I/O Ports	31
6.8 Power-down Mode	32
6.9 Program Execution (G, GB)	33
6.10 External Trigger	35
7. Connection Circuit Diagram	37
Appendix A	38

Preface

This user's manual describes the specifications of the M34551T2-MCU emulator board for Renesas 4551 and 4555 groups of 4-bit single-chip microcomputers.

The M34551T2-MCU is the MCU board for the PC4504 emulator.

For the PC4504 emulator main unit and the M3T-PD45 emulator debugger, refer to their user's manuals.

To use the product properly

Precautions for Safety





- In both this User's Manual and on the product itself, several icons are used to insure proper handling of this product and also to prevent injuries to you or other persons, or damage to your properties.
- The icons' graphic images and meanings are given in "Chapter 1. Precautions for Safety". Be sure to read this chapter before using the product.

1. Precautions for Safety


In both the user's manual and on the product itself, several icons are used to insure proper handling of this product and also to prevent injuries to you or other persons, or damage to your properties.


This chapter describes the precautions which should be taken in order to use this product safely and properly. Be sure to read this chapter before using this product.


1.1 Safety Symbols and Meanings

	WARNING	If the requirements shown in the "WARNING" sentences are ignored, the equipment may cause serious personal injury or death.
	CAUTION	If the requirements shown in the "CAUTION" sentences are ignored, the equipment may malfunction.
	IMPORTANT	It means important information on using this product.

In addition to the three above, the following are also used as appropriate.

△ means WARNING or CAUTION.
Example:  **CAUTION AGAINST AN ELECTRIC SHOCK**

⊘ means PROHIBITION.
Example:  **DISASSEMBLY PROHIBITED**

● means A FORCIBLE ACTION.
Example:  **UNPLUG THE POWER CABLE FROM THE RECEPTACLE.**

The following pages describe the symbols "WARNING", "CAUTION", and "IMPORTANT".

WARNING

Warning for Installation:



- Do not set this product in water or areas of high humidity. Make sure that the main unit does not get wet. Spilling water or some other liquid into the main unit can cause an unreparable damage.

Warning for Use Environment:

- This equipment is to be used in an environment with a maximum ambient temperature of 35 °C. Care should be taken that this temperature is not exceeded.

CAUTION

Cautions to be Taken for This Product:



- Do not disassemble or modify this product. Disassembling or modifying this product can cause damage. Disassembling and modifying the product will void your warranty.
- Use caution when handling the main unit. Be careful not to apply a mechanical shock.
- Do not pull the emulator probe (100-pin half-pitch cable or 50-pin normal-pitch cable) to disconnect from the emulator main unit.
- Do not use inch-size screws for this equipment. The screws used in this equipment are all ISO (meter-size) type screws. When replacing screws, use same type screws as equipped before.

IMPORTANT

Notes on Differences between Actual MCU and Emulator:

- Emulator operation differs from emulation of a mask MCU, as listed below. For details refer to "Chapter 6. Precautions to be Taken When Debugging".
 - (1) Reset condition
 - (2) Initial values of internal resource data at power-on
 - (3) Internal RAM and ROM capacities, etc.
 - (4) Electrical characteristics
 - (5) Operation in the power-down mode
 - (6) Operation of the watchdog timer function
- Therefore, always be sure to evaluate your system with an evaluation MCU (onetime version). Also, be sure to perform board-mounted evaluation with ES (Engineering Sample) version MCU to make final confirmation of device operation before starting mask production.

Note on the Target System:

- The operating voltage of the M34551T2-MCU is +3.0 V or +5.0 V. Therefore the target's supply voltage should be in the range of +3.0 V \pm 10 % or 5.0 V \pm 10 %.

Notes on Connecting the Target System:

- When connecting the emulator probe, be careful to the wrong connection.
- When connecting the emulator probe, be careful to the warp of the cable. The warp may cause breaking the wire.

MEMO

2. Handling Precautions

When using the M34551T2-MCU board, pay attention to the following:

(1) About the emulator

To use the M34551T2-MCU board, you always need to install it on the PC4504 emulator main unit.

(2) About the MCU board installation

Before installing (and removing) the MCU board, always be sure to power off the PC4504 emulator main unit and unplug its power cord from the outlet. For details on how to install and remove the MCU board, see "Chapter 2. Set-up" in the PC4504 System User's Manual.

(3) Emulator debugger

When using the M34551T2-MCU board to debug your program, you need to have the M3T-PD45 emulator debugger (sold separately). You need also the data file for 4551/4555 Group included with M3T-PD45.

(4) Registers that can be operated from M3T-PD45

Table 2.1 lists the registers that can be operated from the M3T-PD45. The "O" in the table means that the register can be operated; the "X" means that the register cannot be operated.

Table 2.1 Registers that can be operated from M3T-PD45

Register	Reference	Modification	Register	Reference	Modification
PC	O	O	W1	O	O
CY	O	O	W2	O	O
A	O	O	W3	O	O
B	O	O	C1	O	O
X	O	O	C2	X	O
Y	O	O	CR	O	O
Z	O	O	PU0	O	O
D	O	O	RLC	O	O
E	O	O	MR	O	O
SP	O	X	R1	X	O
V1	O	O	L1	X	O
V2	O	O	L2	X	O
I1	O	O			

(5) About the system clock frequency

When setting both bit 3 and bit 0 in the MR clock control register to "0" (high-speed mode, system clock = $f(X_{IN})$), the system clock frequency should be in the following ranges.

- $V_{DD} = 3.0 \text{ V}$: $X_{IN} \leq 1.0 \text{ MHz}$
- $V_{DD} = 5.0 \text{ V}$: $X_{IN} \leq 2.0 \text{ MHz}$

MEMO

3. Contents of the M34551T2-MCU Package

3.1 Things to Check When Unpacking

Table 3.1 shows the contents of the M34551T2-MCU package. When unpacking your M34551T2-MCU package, check to see that all the following components are included.

Table 3.1 Contents of M34551T2-MCU

Item	Product name	Quantity
1	M34551T2-MCU*1	1
2	100-wire half-pitch cable (40 cm)	1
3	50-wire normal-pitch cable (10 cm)	1
4	2-wire cable for external trigger signal (50 cm)	1
5	PCA4029 pitch converter board	1
6	M34551E8FP (MCU for replacement)*2	1
7	OSC-2 oscillator circuit board (J1 connector mounted)*3	1
8	Power code*4	1
9	Rubber legs*4	4
10	M34551T2-MCU English user's manual (this manual)	1
11	M34551T2-MCU Japanese user's manual	1

*1 "M34551T-MCU" is printed on the board.

*2 M34551T2-MCU is shipped from the factory with the M34555M4-002FP mounted as an evaluation MCU. If using with the 4551 Group, replace the evaluation MCU with the M34551E8FP (included).

*3 The M34551T2-MCU is equipped with the OSC-2 oscillator circuit board for 4.0 MHz when shipped from the factory. The OSC-2 oscillator circuit board mounted with only J1 connector for clock frequency alteration is included with the product.

*4 The power cable and rubber legs are used when using the M34551T2-MCU as an evaluation board.

*5 Keep the packaging carton and cushion material of the M34551T2-MCU to transport it for repair or for other purposes in the future.

*6 If you find any item missing or faulty, or any suggestion, contact your local distributor.

3.2 Other Necessary Products

To bring forward program development on the 4551/4555 Group, the products given below are necessary in addition to those contained in the package above. Get them separately to be ready when necessary.

- (1) Emulator main unit: PC4504
- (2) Emulator debugger: M3T-PD45
- (3) Programming adapter: PCA7414 (for M34551E8FP)

* An evaluation MCU is not provided for 4555 Group.

MEMO

4. M34551T2-MCU

4.1 Outline

By using with the PC4504 emulator main unit, the M34551T2-MCU can make up an emulator system which can be operated by a personal computer.

Figure 4.1 shows the development support system configuration.

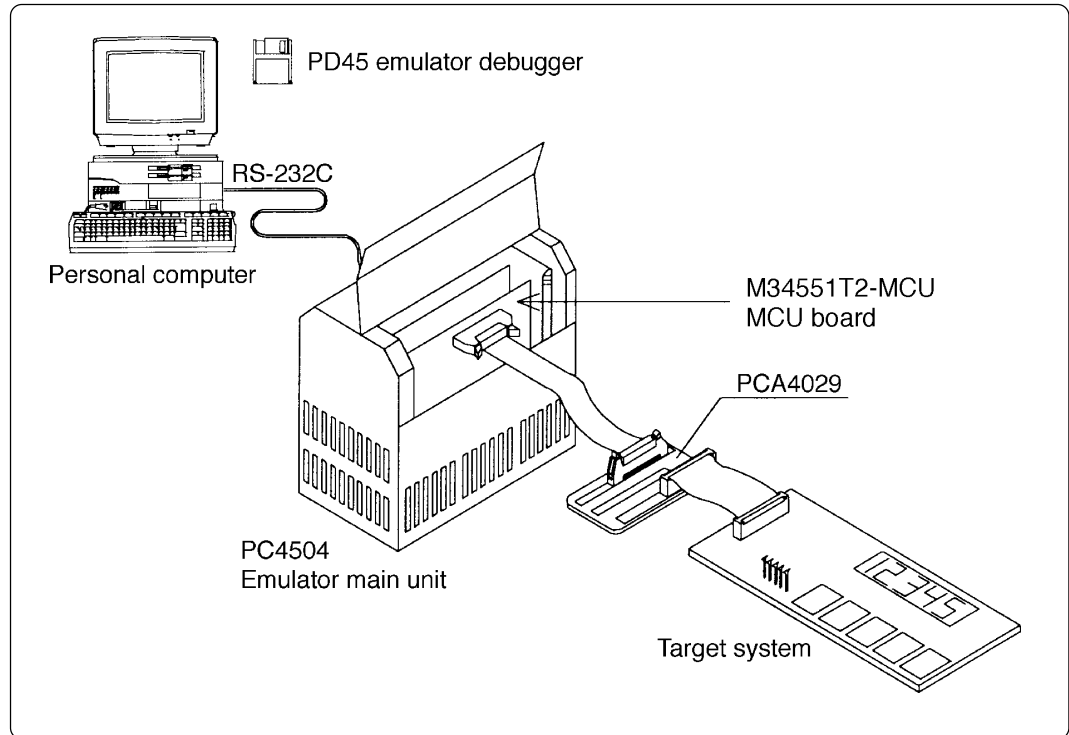


Figure 4.1 Development support system configuration

4.2 Specifications

Table 4.1 lists specifications of the M34551T2-MCU.

Table 4.1 M34551T2-MCU Specifications

Applicable MCUs	M34551MX-XXXXFP			
	M34555MX-XXXXFP			
Evaluation MCUs	M34551E8FP (included)			
	M34555M4-002FP (mounted)			
Maximum operating clock frequency	3 V	Medium-speed mode*1: 4.0 MHz High-speed mode: 1.0 MHz		
	5 V	Medium-speed mode*1: 8.0 MHz High-speed mode: 2.0 MHz		
	3 V / 5 V	XC clock: 32 kHz (using the crystal oscillator on the board)		
Target system voltage	3 V or 5 V			
Power supply	Supplied by the PC4504's internal power supply (+5 V, +12 V)			
Port emulation	Port	Output type	Direction	Devices used
	P2 ₀ , P2 ₁ *2	-	Input	Input: 74HC4066
	P1 ₀ - P1 ₃	N-channel open drain	Input/output	Input: 74HC541 Output: 74LS06
	P0 ₀ - P0 ₃			
	D ₀ - D ₅			
Board dimensions	233 (L) x 135 (W) x 26 (H) mm			
Operating temperature	5 to 35 °C (non-condensing)			
Product configuration	M34551T2-MCU *3 100-wire half-pitch cable 50-wire normal-pitch cable External trigger cable PCA4029 M34551E8FP (for replacement) OSC-2 (for changing frequencies) *4 Power code Rubber legs (4 pieces)			

*1 Operates in the medium-speed mode (instruction clock: $f(X_{IN})/12$) immediately after reset termination.

*2 Ports P2₀ and P2₁ are used with both SEG₁₆ and SEG₁₇, and function as output ports when the segment output is selected.

*3 "M34551T-MCU" is printed on the board.

*4 The M34551T2-MCU has an oscillator circuit board OSC-2 (for 4.0 MHz) when shipped from the factory. In addition, it comes with an oscillator circuit board OSC-2, with only a connector J1 mounted.

4.3 Description of Switches

The M34551T2-MCU board has nine switches. Figure 4.2 shows the positions of these switches. Tables 4.2 and 4.3 list the functions of the switches and the preset switch positions that are set before the MCU board is shipped from the factory.

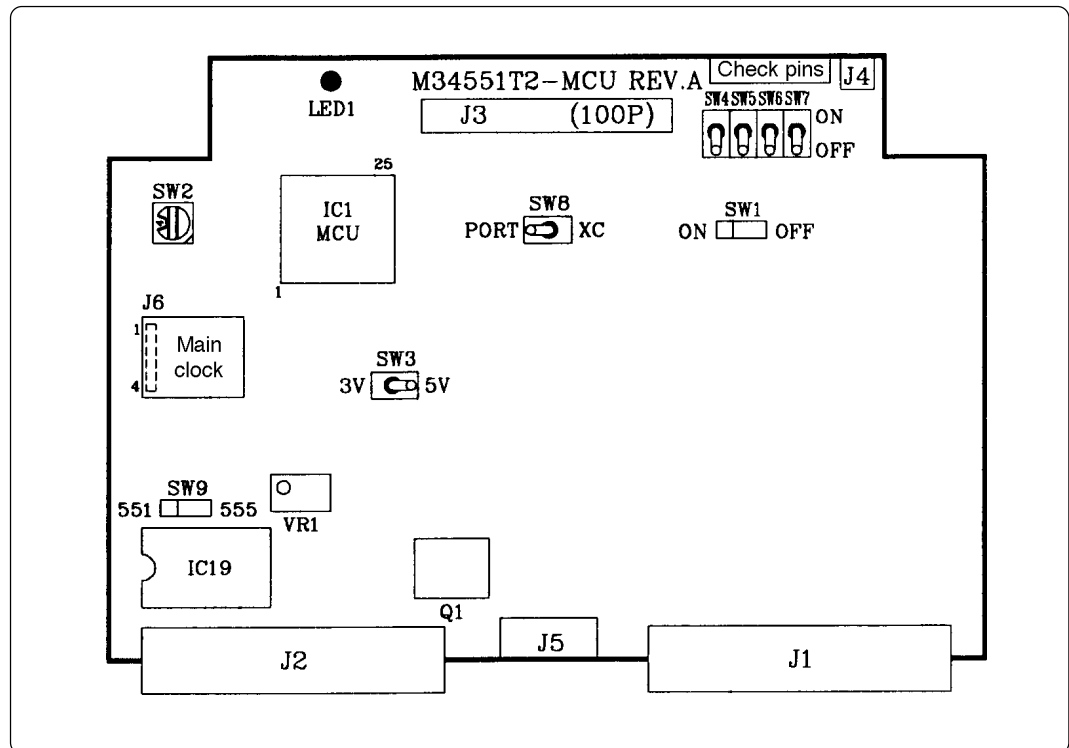


Figure 4.2 Positions of switches

Table 4.2 Functions of switches (1/2)




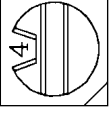
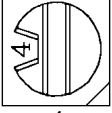
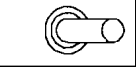

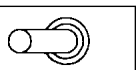
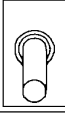
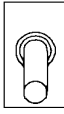
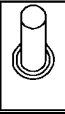



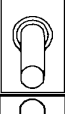
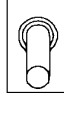


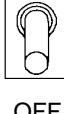



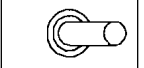



	Label	Switch position	Description	Factory-setting
SW1	OFF	ON  OFF	Does not connect the V _{DD} of the M34551T2-MCU to the V _{DD} of the target system.	 OFF
	ON	ON  OFF	Connects the V _{DD} of the M34551T2-MCU to the V _{DD} of the target system.	
SW2	ROMSIZE		Sets the MCU's ROM size. <ul style="list-style-type: none"> • M4, set SW2 to "4". • E8, set SW2 to "8". 	 4
SW3	5 V	3 V  5 V	Operates the target MCU at +5 V.	 5 V
	3 V	3 V  5 V	Operates the target MCU at +3 V.	

Table 4.3 Functions of the switches (2/2)

	Label	Switch position	Description	Factory-setting
SW4	OFF		Does not connect the pullup resistor 68 kΩ to the port P1 ₀ .	 OFF
	ON		Connects the pullup resistor 68 kΩ to the port P1 ₀ .	
SW5	OFF		Does not connect the pullup resistor 68 kΩ to the port P1 ₁ .	 OFF
	ON		Connects the pullup resistor 68 kΩ to the port P1 ₁ .	
SW6	OFF		Does not connect the pullup resistor 68 kΩ to the port P1 ₂ .	 OFF
	ON		Connects the pullup resistor 68 kΩ to the port P1 ₂ .	
SW7	OFF		Does not connect the pullup resistor 68 kΩ to the port P1 ₃ .	 OFF
	ON		Connects the pullup resistor 68 kΩ to the port P1 ₃ .	
SW8	PORT	 XC	Uses the ports D ₆ and D ₇ .	 PORT
	XC	PORT  XC	Uses the sub-clock oscillator circuit.	
SW9	551	555  551	Operates the M34551T2-MCU for 4551 group.	 555
	555	555  551	Operates the M34551T2-MCU for 4555 group.	

4.4 Description of Connectors

The M34551T2-MCU board has eight connectors. Table 4.4 lists the functions of these connectors. Figure 4.3 shows the positions of connectors on the MCU board.

Table 4.4 Connectors

Connector	Function
J1	Connects the evaluation MCU bus.
J2	Connects the monitor CPU bus.
J3	Connects the target system. (100-pin)
J4	Connects the external trigger signal. (2-pin)
J5	Connects the evaluation board.
J6	Connects the oscillator circuit board. (4-pin)
J7, J8	Connects PCA7745.

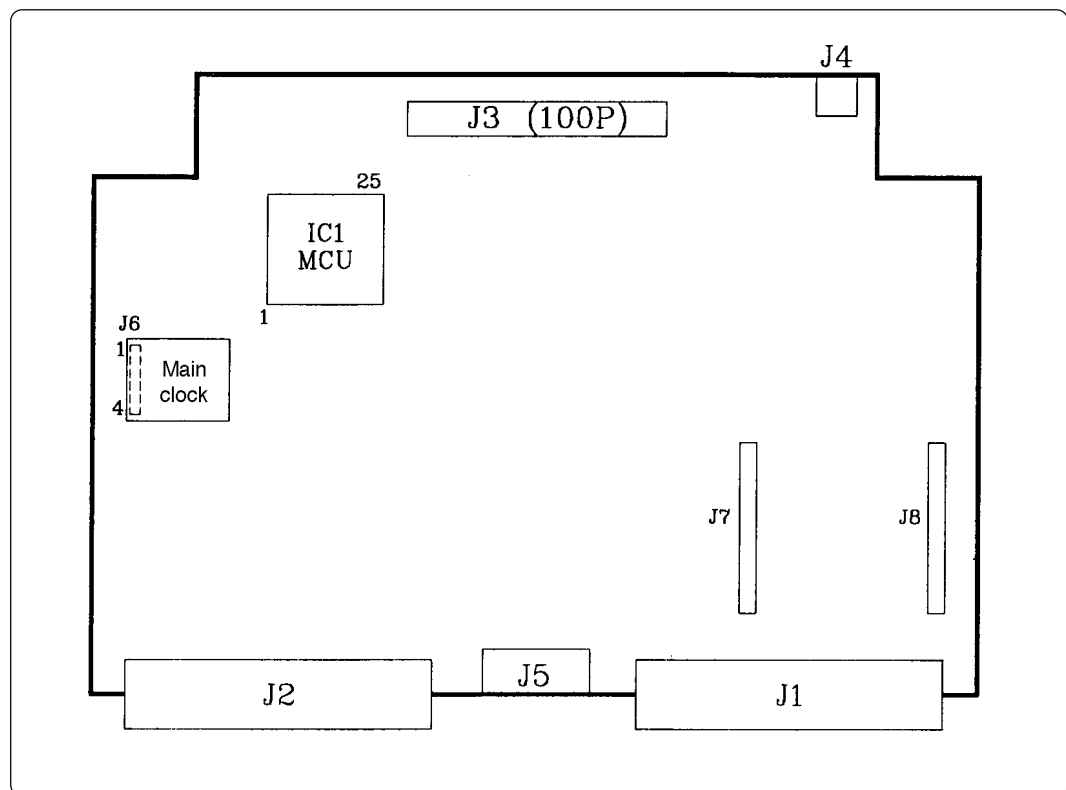


Figure 4.3 Positions of connectors

(1) Connector J3

Table 4.5 lists the pin assignments of 100-wire half-pitch connector (J3) for connecting the PCA4029. And Figure 4.4 shows the connector J3 pin layout.

Table 4.5 Pin assignments of connector J3

Line A			Line B			Line C			Line D		
Pin No.	Signal	I/O	Pin No.	Signal	I/O	Pin No.	Signal	I/O	Pin No.	Signal	I/O
1	GND		1	GND		1	EP2 ₂ /SEG ₁₈	I/O	1	EP2 ₁ /SEG ₁₇	I/O
2	GND		2	GND		2	EP2 ₃ /SEG ₁₉	I/O	2	EP2 ₀ /SEG ₁₆	I/O
3	GND		3	GND		3	EP0 ₀	I/O	3	SEG ₁₅	O
4	GND		4	GND		4	EP0 ₁	I/O	4	SEG ₁₄	O
5	GND		5	GND		5	EP0 ₂	I/O	5	SEG ₁₃	O
6	GND		6	GND		6	EP0 ₃	I/O	6	V _{SS}	
7	GND		7	GND		7	EP1 ₀	I/O	7	SEG ₁₂	O
8	GND		8	GND		8	EP1 ₁	I/O	8	SEG ₁₁	O
9	GND		9	GND		9	EP1 ₂	I/O	9	SEG ₁₀	O
10	GND		10	GND		10	EP1 ₃	I/O	10	SEG ₉	O
11	GND		11	GND		11	ED ₀	O	11	SEG ₈	O
12	GND		12	GND		12	ED ₁	O	12	SEG ₇	O
13	GND		13	GND		13	ED ₂	O	13	SEG ₆	O
14	GND		14	GND		14	ED ₃	O	14	SEG ₅	O
15	GND		15	GND		15	ED ₄	O	15	SEG ₄	O
16	GND		16	GND		16	ED ₅ /INT	I/O	16	SEG ₃	O
17	GND		17	GND		17	CARR	O	17	SEG ₂	O
18	GND		18	GND		18	V _{BD}		18	SEG ₁	O
19	GND		19	GND		19	V _{SS}		19	SEG ₀	O
20	GND		20	GND		20	X _{IN}	-	20	COM ₃	O
21	GND		21	GND		21	X _{OUT}	-	21	COM ₂	O
22	GND		22	GND		22	CNV _{SS}	-	22	COM ₁	O
23	GND		23	GND		23	ED ₆ /X _{CIN}	I/O	23	COM ₀	O
24	GND		24	GND		24	ED ₇ /X _{COU}	O	24	ERESET*	I
25	GND		25	GND		25	NC	-	25	NC	-

Note: "I" denotes "Input"; "O" denotes "Output"; "I/O" denotes "Input/output"; "-" denotes "Not connected".

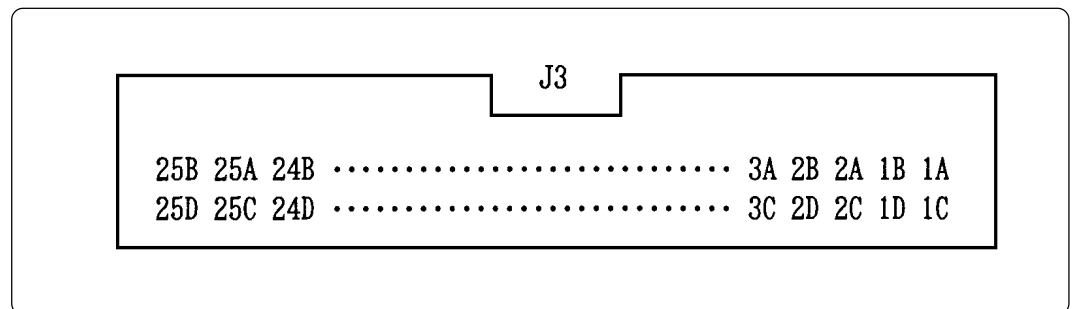


Figure 4.4 Connector J3 pin layout

(2) Connector J4

To use the external trigger signal as event input of trigger breaks or trace points, connect the 2-wire cable (for external trigger signal) included with your M34551T2-MCU board to the connector J4. Connect the black clip of the external trigger cable to GND, and use the white clip for external trigger signal input. Table 4.6 lists the pin assignments of the connector J4.

Table 4.6 Pin assignments of connector J4

Pin No.	Signal	Function
1	TRIG	External trigger signal input
2	GND	GND input

(3) Connector J6

The connector J6 is a connector used to connect an oscillator circuit board OSC-2. When changing the frequency of the oscillator, use the OSC-2 oscillator circuit board (only the connector J1 mounted) included.

When changing the frequency, the constants depend on the oscillator you use. It's advisable to refer to the values recommended by the manufacturers.

Table 4.7 lists the pin assignments of the connector J6. Figure 4.5 shows the pin layout of the connector J6. For the 4 MHz operation with an oscillator board OSC-2, see Figure 4.6.

Table 4.7 Pin assignments of connector J6

Pin No.	Signal	Function
1	V _{CC}	Power supply
2	GND	GND
3	CLK	Clock input
4	GND	GND

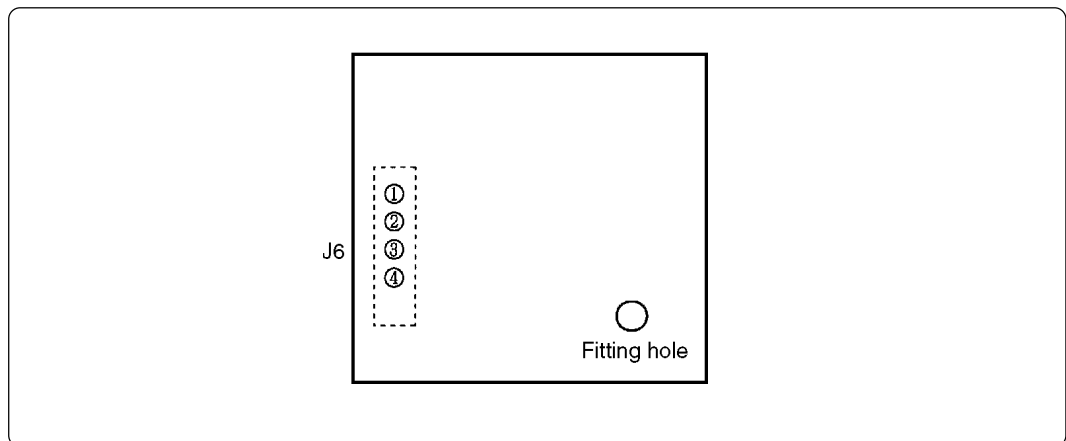


Figure 4.5 Pin layout of connector J6

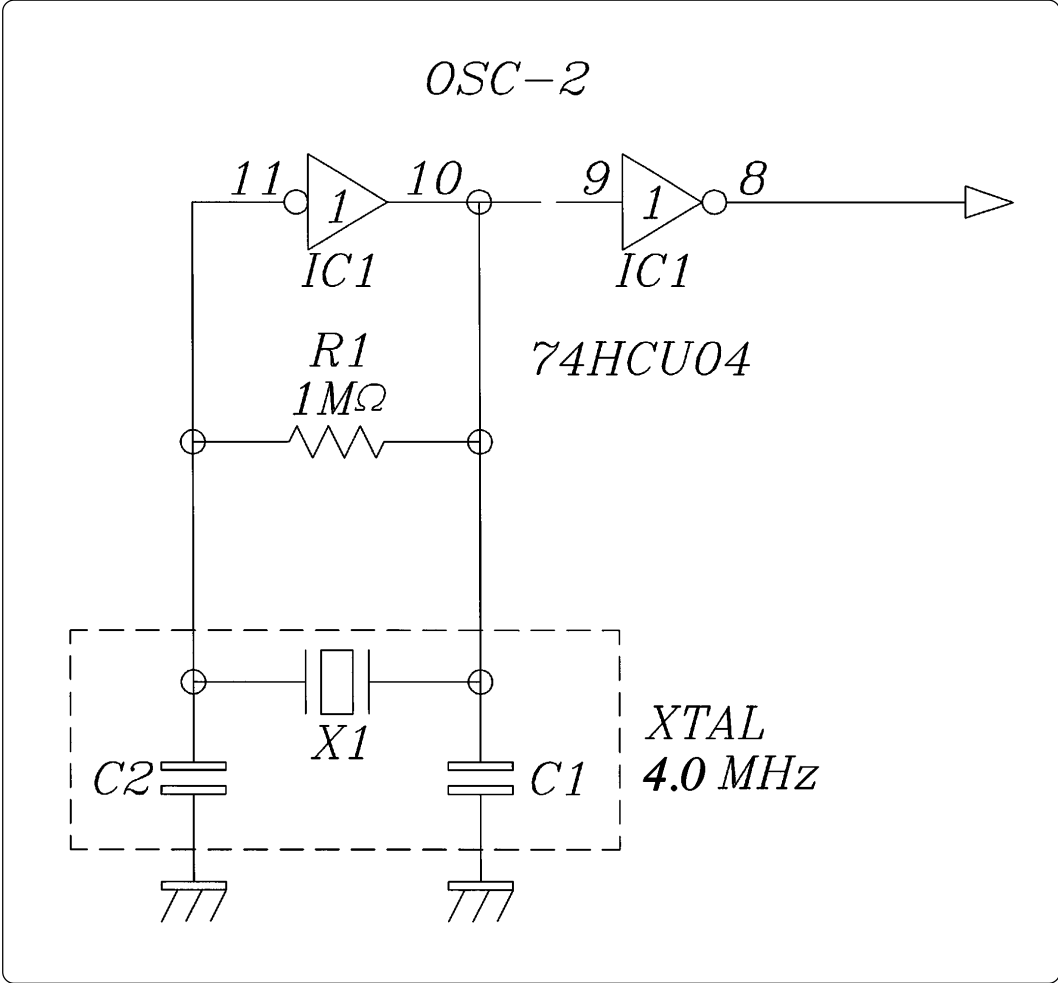


Figure 4.6 Schematic circuit diagram of OSC-2 (4.0 MHz)

4.5 Connection to the Target System

When connecting the M34551T2-MCU board to the target system:

Connect the 50-wire normal-pitch cable included with the MCU board to the 50-pin dual-in-line pins on the target system. Following products are required for connection to the target system.

- (1) 100-wire half-pitch cable (40 cm)
- (2) PCA4029 pitch converter board
- (3) 50-wire normal-pitch cable (10 cm)

Figure 4.7 depicts the M34551T2-MCU board connected to the target system using the 50-wire normal-pitch cable. Table 4.8 lists the connector signal assignments of the 50-wire normal-pitch cable. Figure 4.8 shows the pin layout of the 50-wire normal-pitch cable.

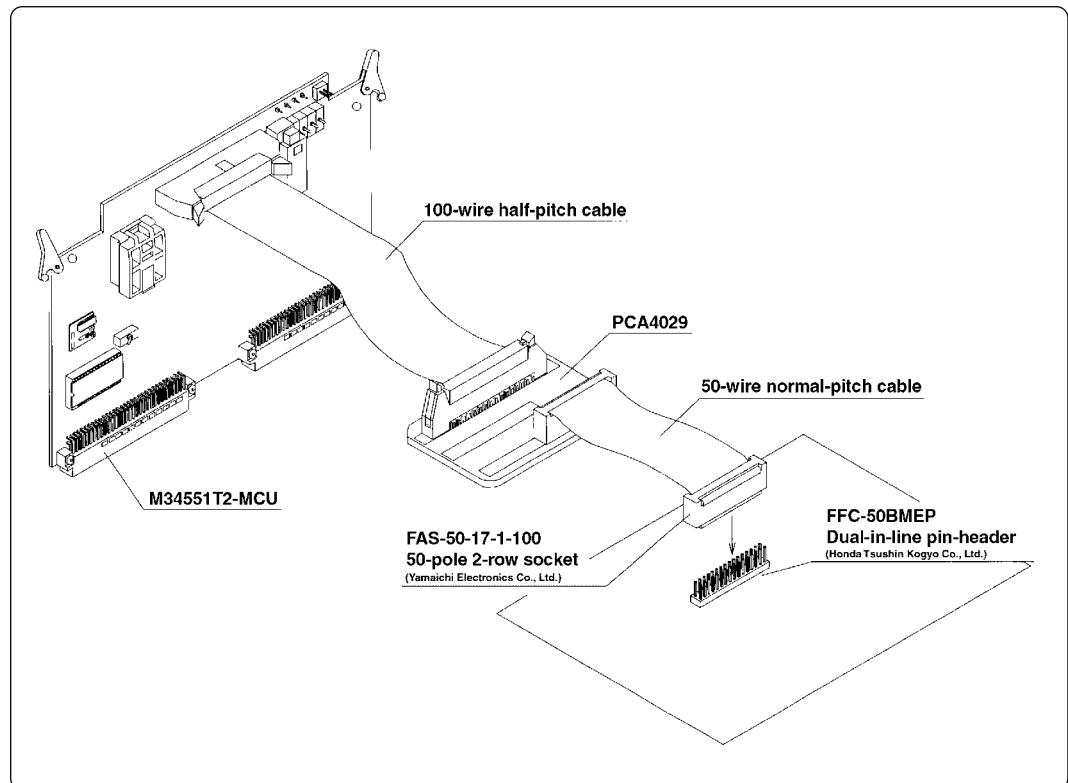


Figure 4.7 Connecting the MCU board to the target system using dual-in-line pins

Table 4.8 50-wire normal-pitch cable pin assignments

Pin No.	Signal	Pin No.	Signal
1	EP2 ₂ /SEG ₁₈	50	EP2 ₁ /SEG ₁₇
2	EP2 ₃ /SEG ₁₉	49	EP2 ₀ /SEG ₁₆
3	EP0 ₀	48	SEG ₁₅
4	EP0 ₁	47	SEG ₁₄
5	EP0 ₂	46	SEG ₁₃
6	EP0 ₃	45	V _{SS}
7	EP1 ₀	44	SEG ₁₂
8	EP1 ₁	43	SEG ₁₁
9	EP1 ₂	42	SEG ₁₀
10	EP1 ₃	41	SEG ₉
11	ED ₀	40	SEG ₈
12	ED ₁	39	SEG ₇
13	ED ₂	38	SEG ₆
14	ED ₃	37	SEG ₅
15	ED ₄	36	SEG ₄
16	ED ₅ /INT	35	SEG ₃
17	CARR	34	SEG ₂
18	V _{DD}	33	SEG ₁
19	V _{SS}	32	SEG ₀
20	NC	31	COM ₃
21	NC	30	COM ₂
22	NC	29	COM ₁
23	ED ₆ /NC	28	COM ₀
24	ED ₇ /NC	27	ERESET*
25	NC	26	NC

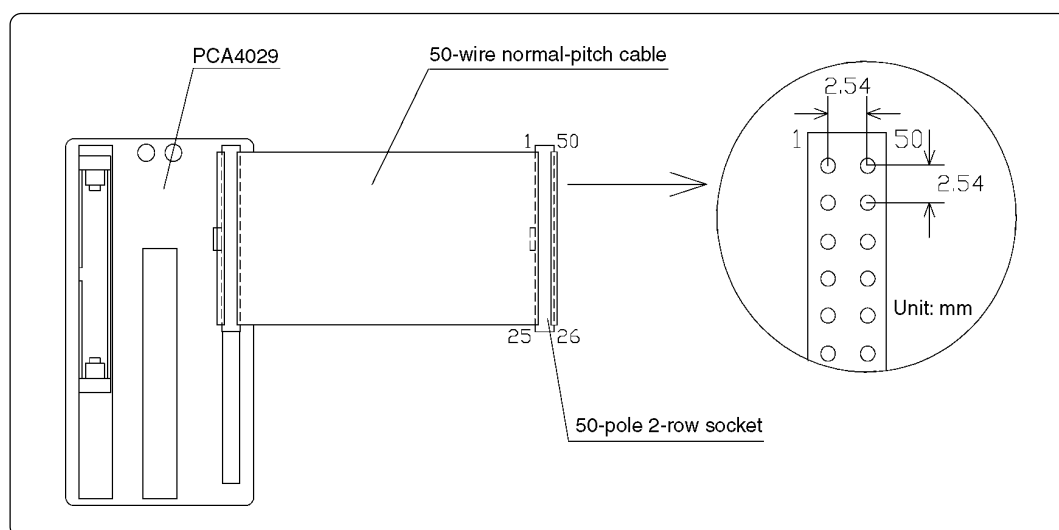


Figure 4.8 Pin layout of the 50-wire normal-pitch cable

Some signals connected to the target system are emulated on the M34551T2-MCU board. For details, see "Chapter 7. Connection Circuit Diagram".

- Pins connected directly to the target system (6 types, 24 lines)
 - (1) SEG₀ - SEG₁₅
 - (2) COM₀ - COM₃
 - (3) CARR
 - (4) D₆*
 - (5) D₇*
 - (6) V_{SS}
- Pins connected to the target system via emulation circuits, etc. (6 types, 20 lines)
 - (1) P0₀ - P0₃
 - (2) P1₀ - P1₃
 - (3) P2₀ - P2₃
 - (4) D₀ - D₅
 - (5) RESET *
 - (6) V_{DD}
- Pins not connected to the target system (5 types, 5 lines)
 - (1) X_{IN}
 - (2) X_{OUT}
 - (3) CNV_{SS}
 - (4) X_{CIN} *
 - (5) X_{COU}T *

* Not connected to the target system when the sub-clock is selected (switch SW8: "XC"). The external clock signal (32.768 kHz) is input to the X_{CIN} pin from the oscillator of the M34551T2-MCU board. And the X_{COU}T pin is not connected.

4.6 LED

Figure 4.9 shows the LED layout of the M34551T2-MCU. The LED lights in green when the power is supplied to the MCU board.

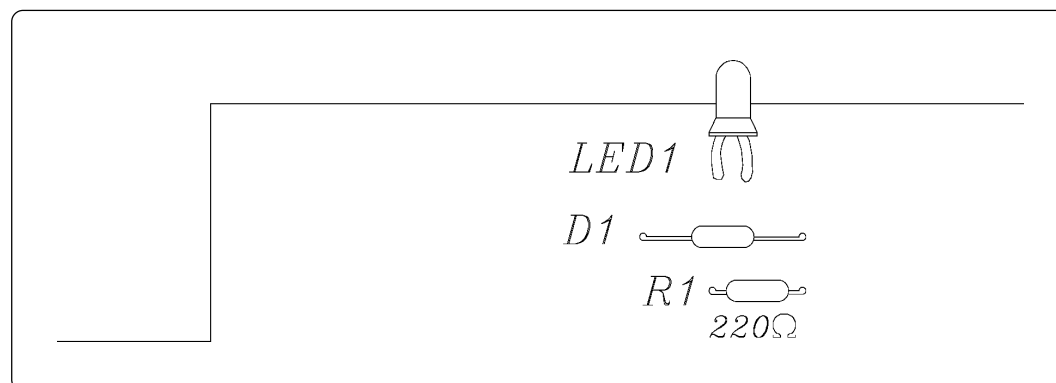


Figure 4.9 Layout of the LED

MEMO

5. Using as an Evaluation Board

Mounting the EPROM containing the program and supplying power enables the M34551T2-MCU to be used as an evaluation board. Use to evaluate the functions that cannot be evaluated with the evaluation MCU of the 4551 Group. Use an evaluation MCU (OTP version) for 4551 Group evaluation.

5.1 System Configuration

System configuration when using the M34551T2-MCU as an evaluation board is as shown in Figure 5.1.

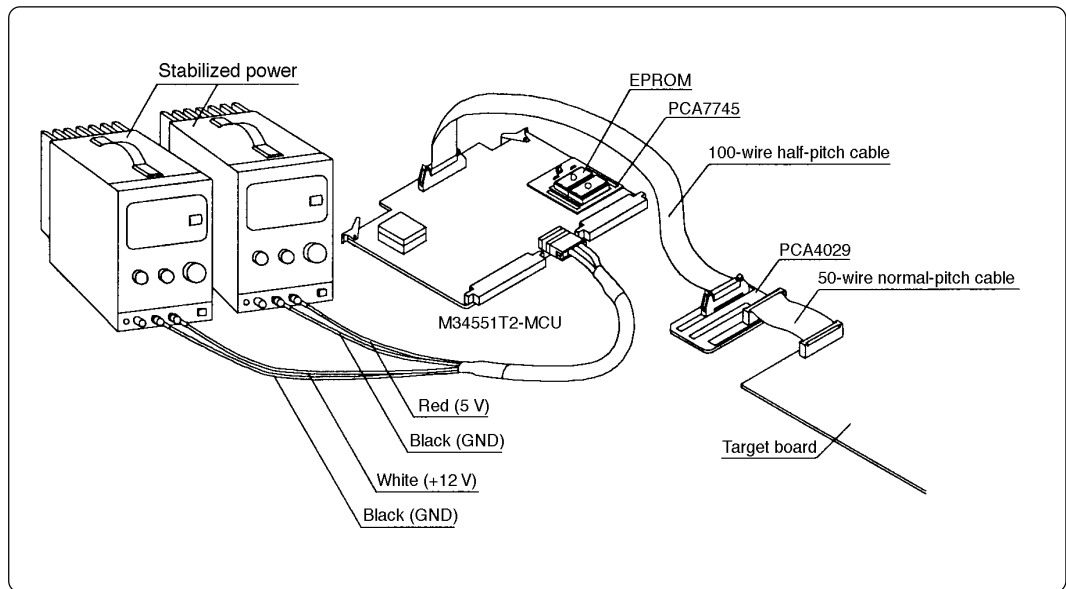


Figure 5.1 System configuration for using as evaluation board

5.2 Mounting the EPROM

Load HEX file data generated by ASM45 into the EPROM and mount in the IC socket on the PCA7745. Prepare two EPROM loaded with the same data, and mount them in the IC sockets on the PCA7745 while checking the position of pin No. 1 (High and Low side sequence differs for EPROM). Figure 5.2 shows the EPROM mounting position on the PCA7745.

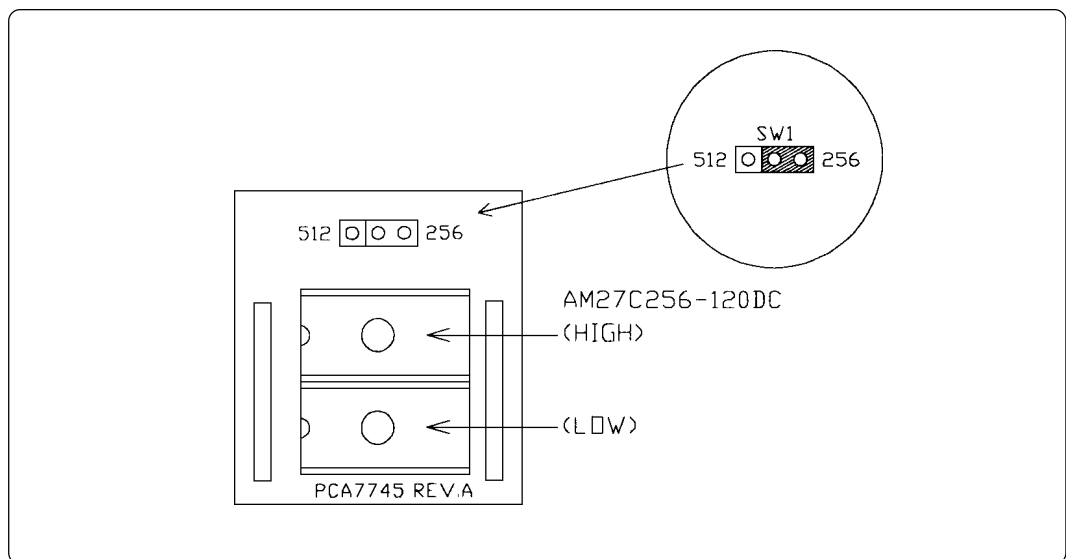


Figure 5.2 EPROM mounting position on the PCA7745

5.3 Mounting the Rubber Legs

Mount the rubber legs (included) in the four corners of the board if using the M34551T2-MCU board as an evaluation board. Figure 5.3 shows the positions of the mounting holes and method of mounting the rubber legs. When mounting them, securely fasten the screws with a screwdriver, etc. Using the board without the rubber legs could result in damage of the M34551T2-MCU board and target system due to a short, etc.

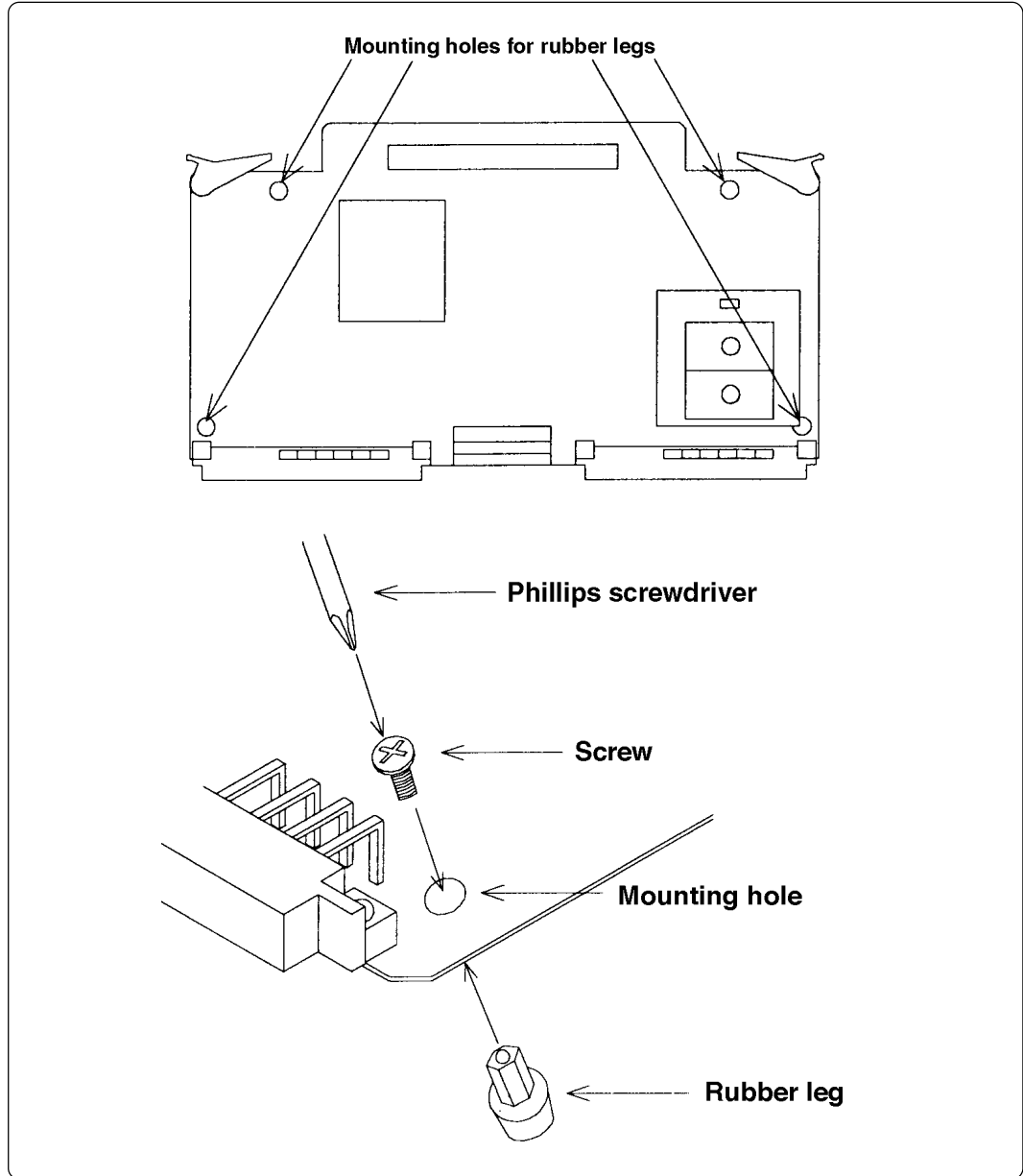


Figure 5.3 Positions of the mounting holes and method of mounting the rubber legs

5.4 Switch Settings

The PCA7745 board is equipped with switch SW1 for setting the ROM type. Set switch SW1 according to the type of EPROM to be used as shown in Table 5.1.

Table 5.1 Setting switch SW1 on PCA7745

Setting	Device
256	M5M27C2566AK
512	M5M27C512ALK

5.5 Connection to the Target System

For method of connecting the MCU board to the target system when using this product as an evaluation board, refer to "4.5 Connecting the MCU board to the Target System".

5.6 Connection to the External Power Source

If using the M34551T2-MCU board as an evaluation board, you must supply power from an external source. Use a power source capable of delivering +5 V or +12 V. Table 5.2 gives the pin positions for the external power source input cable.

Table 5.2 Pin positions for the external power source input cable

Pin No.	Color	Function
1	Red	Input (+5 V)
2	Black	GND
3	White	Input (+12 V)
4	-	Not used

5.7 Turning the Power On

After checking connection of the target system and external power source for the evaluation board, turn the target system and external power supply on. And turn on the power to each equipment following the procedure below successively.

- (1) Turn on the target system.
- (2) Turn on the external power source for the evaluation board.

Also, follow steps (1) and (2) when powering off.

- (1) Turn off the target system.
- (2) Turn off the external power source for the evaluation board.

MEMO

6. Precautions to Be Taken When Debugging

6.1 Reset

The M34551T2-MCU uses 74AC14 for the reset signal input buffer, and electrical characteristics therefore differ from those of an actual chip.

Table 6.1 lists the $\overline{\text{RESET}}$ signal input characteristics on the M34551T2-MCU.

Table 6.1 $\overline{\text{RESET}}$ signal input characteristics

Item	Symbol	Voltage	Min.	Max.
H-level threshold voltage	V_P	$V_{CC}=3.0\text{ V}$	-	2.2 V
		$V_{CC}=4.5\text{ V}$	-	3.2 V
		$V_{CC}=5.5\text{ V}$	-	3.9 V
L-level threshold voltage	V_N	$V_{CC}=3.0\text{ V}$	0.5 V	-
		$V_{CC}=4.5\text{ V}$	0.9 V	-
		$V_{CC}=5.5\text{ V}$	1.1 V	-
Hysteresis voltage	V_H	$V_{CC}=3.0\text{ V}$	0.3 V	1.2 V
		$V_{CC}=4.5\text{ V}$	0.4 V	1.4 V
		$V_{CC}=5.5\text{ V}$	0.5 V	1.6 V

6.2 System Clock

Use the product within the range of MCU specifications and within the frequency range given in Table 6.2 in accordance with power source voltage and operation mode.

Table 6.2 Maximum operating frequencies of the M34551T2-MCU

Voltage	Mode	Maximum operating frequency
3 V	Medium-speed mode	Up to 4.0 MHz
	High-speed mode	Up to 1.0 MHz
5 V	Medium-speed mode	Up to 8.0 MHz
	High-speed mode	Up to 2.0 MHz

Use components required for the OSC-2 oscillator circuit board (included) if changing frequency in accordance with the target system.

For details about the oscillation circuit constants, consult the manufacturer of your oscillator.

6.3 Real-time Capability of Timer

Since the clock on the MCU board is active even during emulation, its timer values are modified.

Examples:

- (1) When single-stepping instructions
- (2) When referencing or modifying registers or the internal RAM

6.4 Watchdog Timer

The watchdog timer does not operate on the M34551T2-MCU board. Use an evaluation MCU (OTP version) to verify the watchdog timer-related operations.

6.5 Pullup Transistors

Since the P1 port of the M34551T2-MCU contains emulation circuits, you cannot control the pullup transistors using the pullup control register PU0. When you want to use the internal pullup transistors, turn on switches SW4 to SW7 to activate the pullup resistors of the M34551T2-MCU. The port P1's resistance value of the pullup resistor is 68 k Ω by the settings (SW4 to SW7).

And the port P0's (M34551T2-MCU) resistance value of the pullup resistor is 68 k Ω .

6.6 Port I/O Timing

(1) Port input timing

Port input timings are the same as with the actual MCUs.

(2) Port output timing

When using the M34551T2-MCU, output timings are different from those of the actual MCUs for the following ports that are configured with port emulation circuits:

- Ports P0₀ to P0₃
- Ports P1₀ to P1₃
- Ports D₀ to D₅

With the actual MCUs, changes occur at the beginning of the T3 state of an output instruction. With the M34551T2-MCU, changes occur at the beginning of the T2 state of the next output instruction. Figure 6.1 shows the port output timings of the M34551T2-MCU.

For the other ports, the output timings are the same as with the actual MCUs.

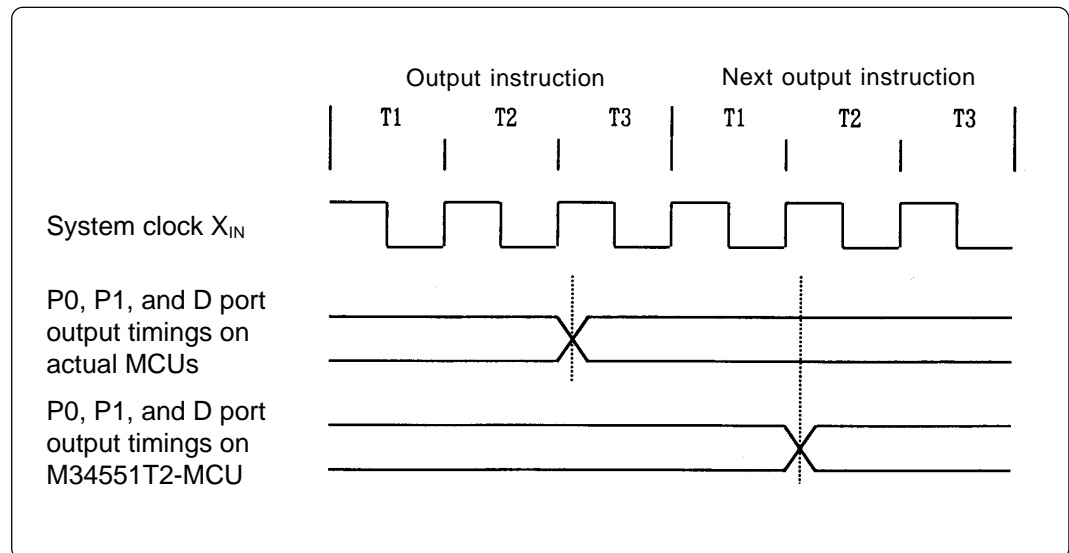


Figure 6.1 P0, P1 and D port output timings

6.7 Characteristics of I/O Ports

Characteristics of Ports P0, P1, P2, D₀ to D₇ of the M34551T2-MCU differ from those of actual MCU, because the M34551T2-MCU have emulation circuit. Table 6.3 shows characteristics of the emulation ports.

Table 6.3 Characteristics of emulation ports

Port	I/O	Device	Item	Voltage	Min.	Max.	Remarks
P0, P1	Input	74HC541	V _{IH}	V _{CC} =2.0 V	1.5 V	-	
				V _{CC} =4.5 V	3.15 V	-	
			V _{IL}	V _{CC} =2.0 V	-	0.5 V	
				V _{CC} =4.5 V	-	1.35 V	
	Output	74LS06	I _{OH}	V _{CC} =4.75 V	-	250 μA	V _{OH} =MAX
			I _{OL}		-	40 mA	
V _{OL}			-		0.4 V	I _{OL} =16 mA	
					-	0.7 V	I _{OL} =MAX
P2	Input/ Output	74HC4066	R _{ON}	V _{CC} =2.0 V	160 Ω	-	V _{I/O} =V _{CC} to GND I _{I/O} ≤1 mA
				V _{CC} =4.5 V	70 Ω	130 Ω	
						V _{CC} =4.5 V	96 Ω
			ΔR _{ON}	V _{CC} =4.5 V	10 Ω	-	V _{I/O} =V _{CC} to GND I _{I/O} ≤1 mA
D ₅	Input	74HC541	V _{IH}	V _{CC} =2.0 V	1.5 V	-	
				V _{CC} =4.5 V	3.15 V	-	
			V _{IL}	V _{CC} =2.0 V	-	0.5 V	
				V _{CC} =4.5 V	-	1.35 V	
D ₅ - D ₀	Output	74LS06	I _{OH}	V _{CC} =4.75 V	-	250 μA	V _{OH} =MAX
			I _{OL}		-	40 mA	
			V _{OL}		-	0.4 V	I _{OL} =16 mA
					-	0.7 V	I _{OL} =MAX

6.8 Power-down Mode

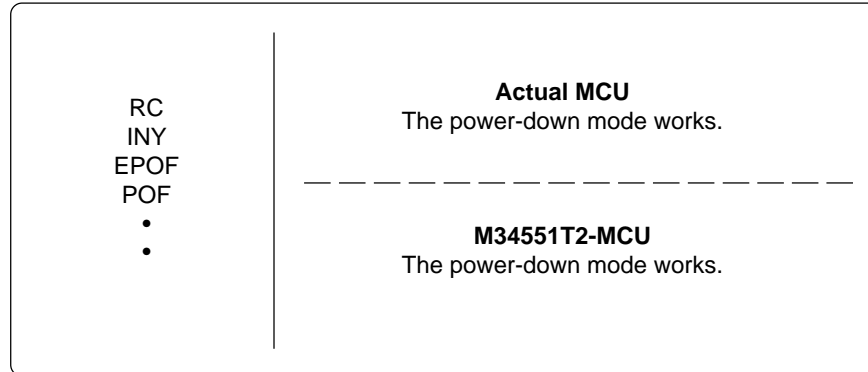
The power-down mode of the M34551T2-MCU operates differently from that of the actual MCUs.

(1) Power-down operation of the M34551T2-MCU

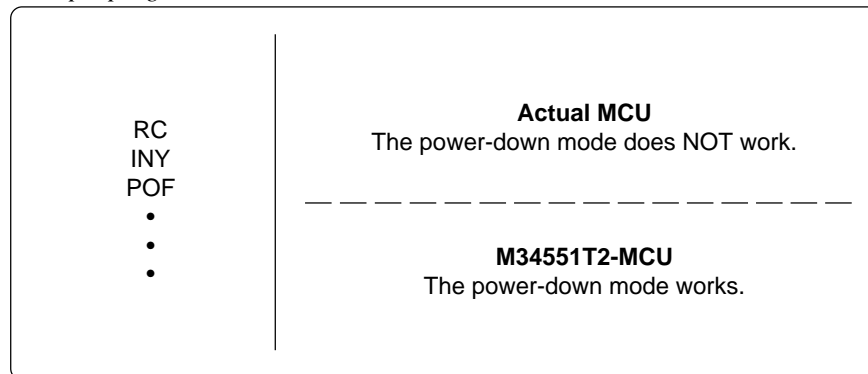
While with the actual MCUs the power-down mode works by the "EPOF" and "POF" instructions, with the M34551T2-MCU the power-down mode works only by the "POF" instruction.

With the M34551T2-MCU, the "EPOF" instruction is invalid.

Example program 6.1



Example program 6.2



6.9 Program Execution (G, GB)

The PC4504 and the M34551T2-MCU's hardware is subject to the following restrictions with respect to the operation of the program execution commands (G and GB).

(1) Continuous description of instructions

Hardware breakpoints set in a continuous description of instructions following one after another do not cause a break to occur in the continuous description of instructions. A break occurs only after fetching the address where the continuous description of instructions is discontinued. (See Program example 6.3.)

However, a break does occur even in a continuous description of instructions when an external trigger break or forced break is encountered. For execution to be resumed in this case, you need to make sure that the execution start address is next to the continuous description of instructions. (See Program example 6.4.)

Program example 6.3

	LA	0	
POINT:	LA	1	; Continuous description of instructions
	LA	2	
POINT+2:	XAM	3	

If a break is set at POINT, execution is halted immediately before the XAM institution at address POINT+2.

Program example 6.4

	LA	0	
POINT:	LA	1	; Continuous description of instructions
POINT+1:	LA	2	
POINT+2:	XAM	3	

If a forced or external trigger break is applied at POINT, execution is halted at POINT+1. When resuming program execution after the break, make sure that the start address is at POINT+2, an address immediately after the continuous description of instructions is discontinued.

(2) Skip instructions (e.g. SNZP, INY, DEY, SZB, SEAM, SZC and RTS)

In cases when a skip instruction skips the next instruction, a breakpoint set in the skipped instruction does not cause execution to halt. (See Program examples 6.5 and 6.6)

Program example 6.5

	RC			RC
	SZC			SZC
POINT:	TABP			POINT: TABP
POINTA:	TAM	0		POINTA: TAM 0
	•			•
	•			•

A breakpoint set at address POINT causes execution to halt immediately before address POINTA in only the case of the instruction shown on the right side.

Program example 6.6

	RC			; Skip instruction
	INY			
POINT:	TABP			
	TAM	0		
	•			
	•			

If a break with pass count is set at address POINT, the count is taken and execution is halted only when the instruction at address POINT is executed.

6.10 External Trigger

(1) External trigger input timing

The latch timing of the external trigger is shown in Figure 6.2.

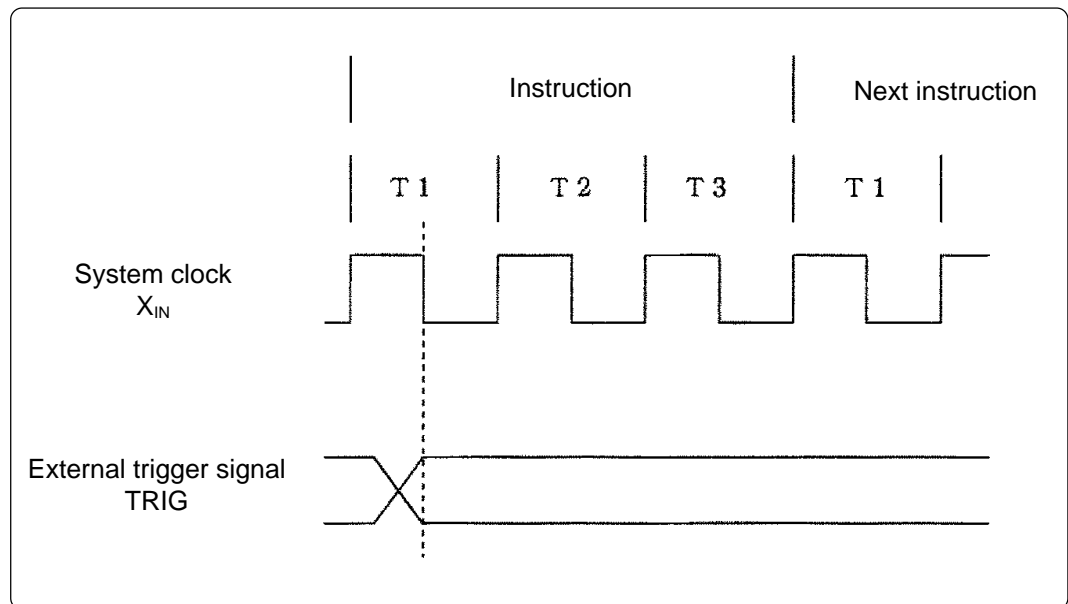


Figure 6.2 Latch timing of the external trigger signal

(2) External trigger signal input characteristics

Trigger breaks work according to the condition (leading edge/trailing edge) of signals input from the external trace cable. The external trigger signals of the trace points and the external trigger signals of the break points use the same signals.

The input characteristics of the external trigger are shown in the Table 6.4 below.

Table 6.4 External trigger input characteristics

Item	Symbol	Voltage	Max.	Min.
H-level input Voltage	V_{IH}	$V_{cc} = 2.0\text{ V}$	-	1.5 V
		$V_{cc} = 4.5\text{ V}$	-	3.15 V
L-level input voltage	V_{IL}	$V_{cc} = 2.0\text{ V}$	0.5 V	-
		$V_{cc} = 4.5\text{ V}$	1.35 V	-

MEMO

7. Connection Circuit Diagram

Figure 7.1 shows the M34551T2-MCU connection circuit diagram. This circuit diagram depicts the M34551T2-MCU connection centering on circuits connected to the target system. Emulator control blocks and other similar circuits that are not connected to the target system are omitted in this diagram.

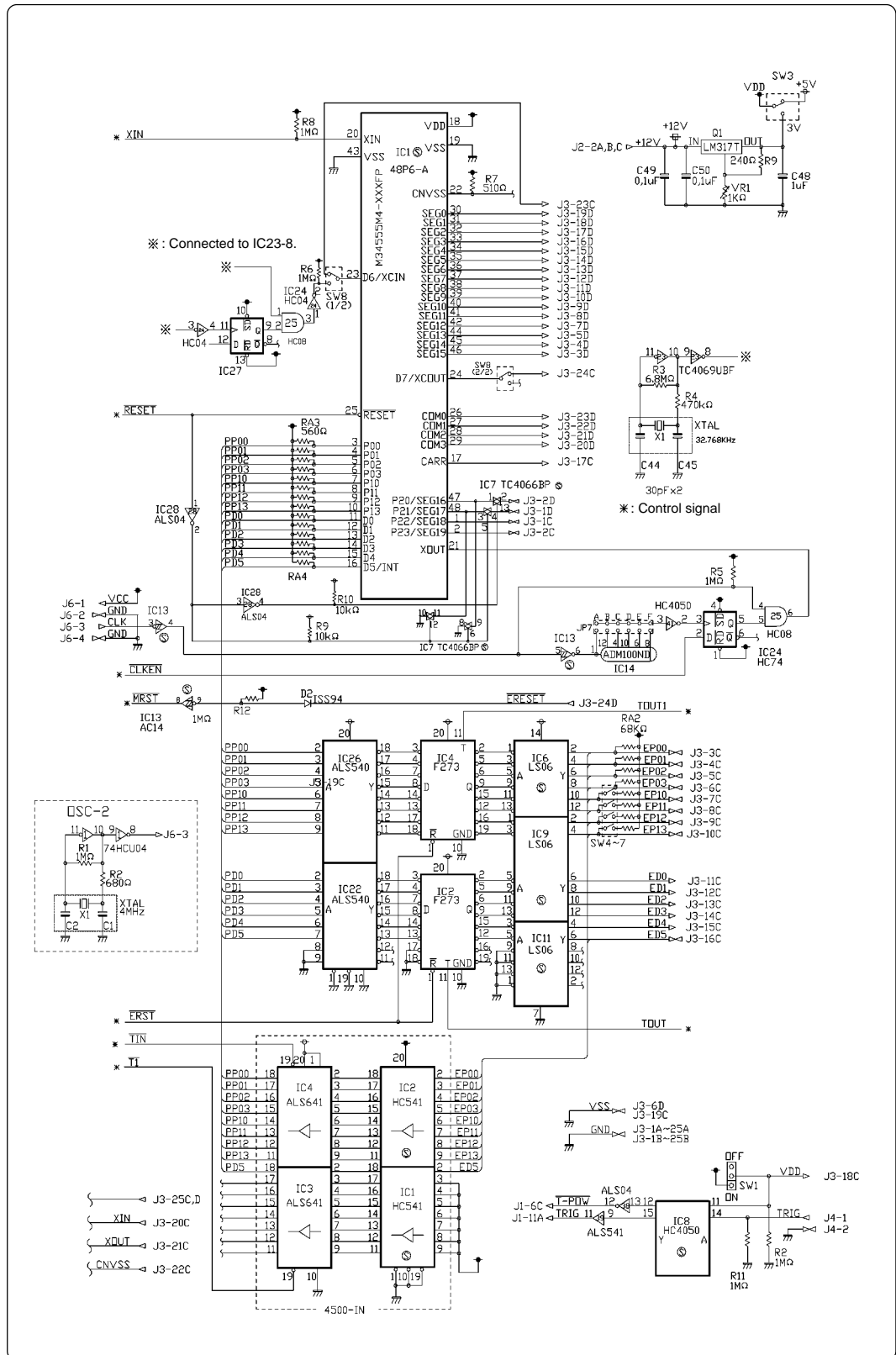


Figure 7.1 Connection circuit diagram

Appendix A. How to Request for Repair

If your product is found faulty, follow the procedure below to send your product for repair.

Customer



Fill in the Repair Request Sheet included with this product, then send it along with this product for repair to your local distributor. Make sure that information in the Repair Request Sheet is written in as much detail as possible to facilitate repair.

Distributor



After checking the contents of fault, the distributor should please send the faulty product along with the Repair Request Sheet to Renesas Solutions Corp.

Renesas Solutions

When the faulty product is repaired, it will be returned to the customer at the earliest convenience.

CAUTION

Note on Transporting the Product:



- When sending your product for repair, use the packing box and cushion material supplied with this product when delivered to you and specify handling caution for it to be handled as precision equipment. If packing of your product is not complete, it may be damaged during transportation. When you pack your product in a bag, make sure to use conductive polyvinyl supplied with this product (usually a blue bag). When you use other bags, they may cause a trouble on your product because of static electricity.

M34551T2-MCU User's Manual

Rev.1.00
September 1, 2003
REJ10J0276-0100Z

COPYRIGHT ©2003 RENESAS TECHNOLOGY CORPORATION
AND RENESAS SOLUTIONS CORPORATION ALL RIGHTS RESERVED

M34551T2-MCU User's Manual



Renesas Electronics Corporation

1753, Shimonumabe, Nakahara-ku, Kawasaki-shi, Kanagawa 211-8668 Japan

REJ10J0276-0100Z