

ISL54405EVAL3Z

Evaluation Board User Guide

UG002

Rev 0.00

September 23, 2014

Description

The ISL54405EVAL3Z evaluation board is designed to provide a quick and easy method for evaluating the ISL54405 Stereo 2:1 Multiplexer IC.

The ISL54405 device is a unique IC. To use this evaluation board properly requires a thorough knowledge of the operation of the IC. Refer to the [ISL54405](#) datasheet for an understanding of the functions and features of the device. Studying the device's truth table along with its pinout and block diagram on pages 1, 2 and 3 of the datasheet is the best way to get a quick understanding of how the part works.

A picture of the main evaluation board is shown in [Figure 4](#). The ISL54405 μ TQFN IC is soldered onto the evaluation board. It is located in the center of the board and is designated as U1.

The ISL54405 IC is a single supply, bidirectional, dual single-pole/double-throw (SPDT) analog switch designed to function as a differential 2:1 multiplexer. It was designed for consumer and professional audio switching applications such as Computer Sound Cards and Home Theater products. It can be used to route a single stereo source to different line outs/loads ([Figure 3](#)) or to multiplex two stereo sources to a single load ([Figure 1](#)).

The part has various configurations of operation. The evaluation board contains standard jumpers, RCA connectors, BNC connectors, banana connectors, load resistors, and toggle

switches to allow the user to easily interface with the IC to evaluate its functions, features, and performance in the various modes of operation.

This application note will guide the user through the process of configuring and using the evaluation board to evaluate the ISL54405 device.

Key Features

- RCA audio female jacks and BNC connectors
- Selectable 32 Ω and 20k Ω resistor loads on the signal lines
- Convenient test points and connections for test equipment
- Toggle switches for easy control of MUTE and SEL logic pins
- Banana jacks for power, ground and logic control

References

[ISL54405](#) datasheet

[TB494](#) Technical Brief "Intersil ISL54405 Hi-Fidelity Stereo 2:1 Multiplexer with Click and Pop Elimination"

Ordering Information

PART NUMBER	DESCRIPTION
ISL54405EVAL3Z	ISL54405 Evaluation Board

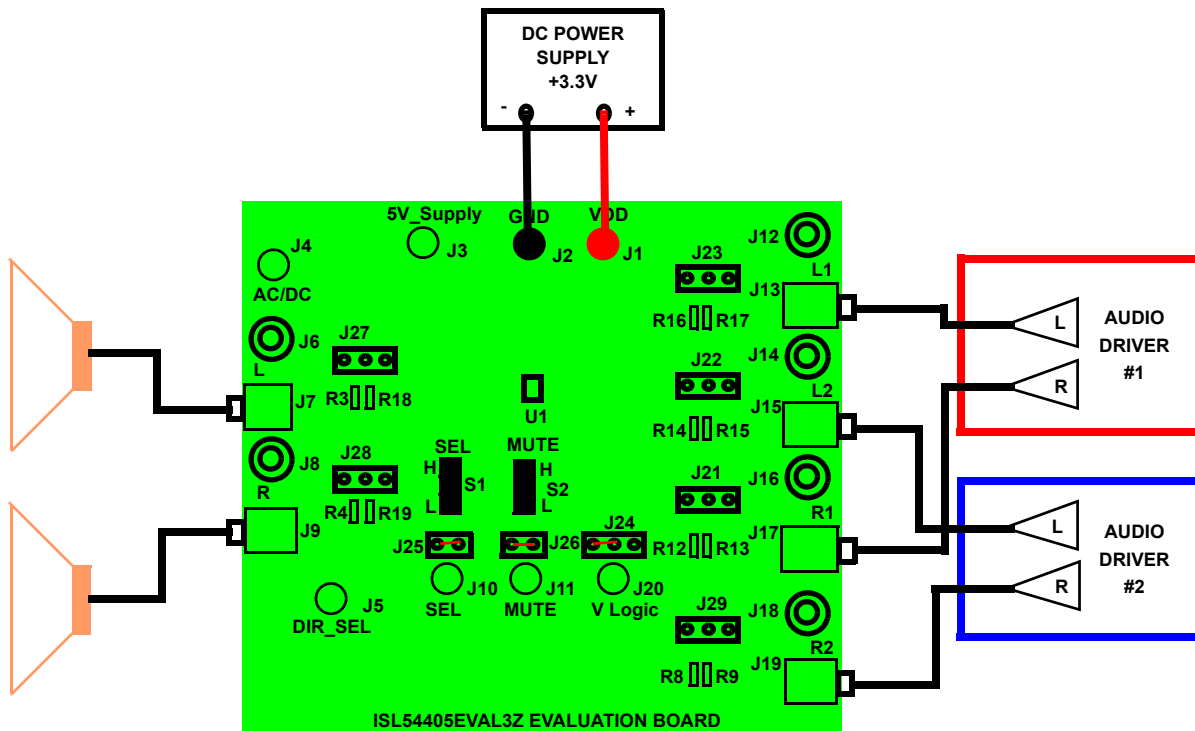


FIGURE 1. ISL54405EVAL3Z MULTIPLEXING TWO STEREO SOURCES TO A SINGLE SPEAKER LOAD

Functional Description

The ISL54405EVAL3Z Evaluation Board provides a simple platform to demonstrate the features and evaluate the performance of the ISL54405 IC. It provides easy access to the pins of the ISL54405 and convenient connectors/test points for connecting test equipment. The schematic, bill of materials and top silkscreen for the board are available on [pages 8](#) through [10](#).

[Figures 6](#) through [13](#) show performance data taken using the evaluation board and an Audio Precision Dual Domain System Two Cascade Plus (SYS-2722) Generator/Analyzer. A video using this test equipment with the ISL54405 evaluation board is available at: [ISL54405 Video](#).

The sections that follow will discuss using the evaluation board.

Basic Layout of Evaluation Board

The basic layout of the evaluation board is as follows: Refer to [Figure 5](#) or the actual ISL54405EVAL3Z Rev A evaluation board.

Located in the center of the board is the ISL54405 IC (U1). The evaluation board has a pin 1 dot, to show how the IC should be oriented onto the evaluation board. The IC pin 1 indicator dot needs to be aligned with the evaluation board pin 1 dot indicator. The board comes with the IC soldered onto it.

Power for the IC is located at the top of the board through banana jacks J1 (VDD), J2 (GND), and J3 (5V_SUPPLY). A DC voltage source must be connected between either VDD and GND or 5V_SUPPLY and GND to power the part. For 3.3V operation, connect to the J1 (VDD) jack and leave J3 (5V_SUPPLY) floating. For 5V operation, connect to the J3 (5V_SUPPLY) jack and leave J1 (VDD) floating.

Access to the L and R COM side of the switch are through either the RCA female jacks J7 (L) and J9 (R) or BNC connectors J6 (L) and J8 (R) located on the left side of the board. The connectors J6 and J7 are connected in parallel and connectors J8 and J9 are connected in parallel.

Access to the L1, R1, L2, and R2 side of the switch is through either the RCA female jacks J13 (L1), J15 (L2), J17 (R1), and J19 (R2) or BNC connectors J12 (L1), J14 (L2), J16 (R1) and J18 (R2) located on the right side of the board. Note: The connectors J12 and J13 are connected in parallel, connectors J14 and J15 are connected in parallel, connectors J16 and J17 are connected in parallel, and connectors J18 and J19 are connected in parallel.

Logic control for the AC/DC and DIR_SEL logic pins of the IC are through banana jacks J4 (AC/DC) and J5 (DIR_SEL). Logic control for the SEL pin is through either the banana jack J10 (SEL) or the toggle switch S1 (SEL). Logic control of the MUTE pin is through either the banana jack J11 (MUTE) or the toggle switch S2 (MUTE).

For convenience, each of the COM I/O traces (L and R) and the signal pin I/O traces (L₁, R₁, L₂, and R₂) have selectable 32Ω or 20kΩ load resistors to ground. Either the 32Ω resistor or 20kΩ resistor can be connected to a trace by installing the appropriate jumper. No jumper would be installed if a resistor is not required as in the case when you would be connecting an actual speaker to the evaluation board. See the board schematic "[ISL54405EVAL3Z Circuit Schematic](#)" for the reference designators of the jumpers and resistors associated with each I/O.

In addition to the jumper selectable load resistors described in the previous paragraph, each of the traces also has a series resistor in each line (R1 at L, R2 at R, R6 at R2, R7 at R1, R10 at L1, and R11 at L2). These resistors come populated with a 0Ω resistor. These 0Ω resistors can be changed out with other value resistors or a capacitor if evaluating an AC coupled configuration.

Power Supply

The ISL54405 IC requires either a 3.3V or 5V DC power supply for proper operation.

For 3.3V operation, the power supply is connected at banana jacks J1 (VDD) and J2 (GND). The power supply should be capable of delivering 500μA of current. Nothing should be connected at banana jack J3 (5V_SUPPLY).

For 5V operation, the power supply is connected at banana jacks J3 (5V_SUPPLY) and J2 (GND). The power supply should be capable of delivering 500μA of current. Nothing should be connected at banana jack J1 (VDD).

Evaluation Board Logic Control

The ISL54405 IC has four logic control pins; the AC/DC, DIR_SEL, MUTE, and SEL. The MUTE and SEL control pins determine the state of the switches. The AC/DC and DIR_SEL control pins determine the location of the ancillary 40Ω shunt resistors and if they are active or not. See the Truth Table on page 3 of the [ISL54405](#) datasheet.

The ISL54405 logic is 1.8V CMOS compatible (Low ≤ 0.5V and High ≥ 1.4V) over a supply range of 3.0V to 3.6V at the VDD pin or 4.5V to 5.5V at the 5V_SUPPLY pin. This allows control by a 1.8V or a 3V microcontroller.

Access to the AC/DC and DIR_SEL pins are through banana jacks J4 (AC/DC) and J5 (DIR_SEL) respectively. These pins should be driven HIGH or LOW by a microcontroller or permanently tied HIGH or LOW depending on the configuration and functionality that you are evaluating. The banana jacks allow the user to use standard Pomona banana plug cables to quickly connect these logic pins to ground or VDD to evaluate the various configurations of the ISL54405 part.

Access to the MUTE pin is through the banana jack J11 (MUTE) or the toggle switch S2 (MUTE). A jumper needs to be installed at jumper J26 to use the toggle switch.

Access to the SEL pin is through the banana jack J10 (SEL) or the toggle switch S1 (SEL). A jumper needs to be installed at jumper J25 to use the toggle switch.

The voltage connected at the high position (H) of the S1 and S2 toggle switches is determined by a jumper connected at jumper J24. To connect it to VDD, install a jumper at J24 position 2-3. To connect it to the J20 (VLOGIC) banana jack, install a jumper at J24 position 2-1. The VLOGIC jack is used whenever you want to use the toggle switches but have the control voltage at a different voltage than V_{DD}. For example, V_{DD} at 3.3V and VLOGIC high at 1.8V.

To control the MUTE and SEL from a microcontroller or external logic source you would remove the J25 and /or J26 jumpers and connected the logic controller at banana jacks J10 and/or J11.

SEL, MUTE CONTROL PINS

The state of the ISL54405 device is determined by the voltage at the MUTE pin and the SEL pin. When MUTE is HIGH all channels of the ISL54405 multiplexer are OFF. When MUTE is LOW then the logic level at the SEL pin will determine which differential channels are ON. If SEL = LOW; L1/R1 are ON. If SEL = HIGH; L2/R2 are ON.

The MUTE has an internal pull-up resistor to the internal 3.3V supply rail and can be driven high or tri-stated (floated) by a microcontroller.

These pins are 1.8V logic compatible. When powering the part by the VDD pin, the logic voltage can be as high as the V_{DD} voltage, which is typically 3.3V. When powering the part by the 5V_SUPPLY pin, the logic voltage can be as high as the 5V_SUPPLY voltage, which is typically 5V.

Logic Levels:

MUTE = Logic "0" (Low) when $\leq 0.5V$

MUTE = Logic "1" (High) when $\geq 1.4V$ or floating

SEL = Logic "0" (Low) when $\leq 0.5V$

SEL = Logic "1" (High) when $\geq 1.4V$

AC/DC AND DIR_SEL CONTROL PINS

The ISL54405 contains ancillary 40 Ω shunt circuitry on its COM pins (L, R) and on its signal pins (L1, R1, L2, R2) that can be used for click/pop elimination in certain applications and used to get superior muting when connected to high impedance receiver loads (10k Ω - 20k Ω).

The activation of this circuitry and whether it is located on the COM or signal side of the switch is determined by the logic levels applied at the AC/DC and DIR_SEL pins. The DIR_SEL control pin is only active when AC/DC is logic "1".

Note: An active shunt is only connected (ON) when the SPDT switch cell it is connected to is OFF. When in the MUTE state (MUTE = Logic "1") all activated shunts are ON.

When AC/DC is logic "0", all of the shunt circuitry on both sides of the switch are deactivated and not operable.

When AC/DC is logic "1", then the DIR_SEL logic level determines whether the shunt circuitry will be activated on the COM side of the switch or on the signal side of the switch. When DIR_SEL = Logic "1", the shunts on the COM side (L, R) are activated and inoperable on the signal side (L1, R1, L2, R2) of the switch. When DIR_SEL = Logic "0" the shunts are activated on the signal side (L1, R1, L2, R2) and inoperable on the COM side (L, R).

Logic Levels:

AC/DC, DIR_SEL = Logic "0" (Low) when $\leq 0.5V$

AC/DC, DIR_SEL = Logic "1" (High) when $\geq 1.4V$ or floating.

The AC/DC and DIR_SEL have internal pull-up resistors to the internal 3.3V supply rail and can be driven HIGH or tri-stated (floated) by the microcontroller. They should be driven to ground for a logic "0" (LOW). Note: For 5V applications the AC/DC and DIR_SEL pins should never be driven to the external 5V rail. They need to be driven with 1.8V logic or 3V logic circuit.

Audio COM Pins (L and R)

The evaluation board has two audio RCA female jacks labeled L (J7) and R (J9), which give you access to the COM pins of the ISL54405 IC. Each of these jacks have a BNC connector (J6 and J8, respectively) wired in parallel with the RCA jack.

The RCA jacks allow easy connection of a stereo speaker or a stereo audio source/generator. The BNC connectors allow easy connection of audio measurement and test equipment.

Audio Signal Pins (L1, L2, R1, R2)

The evaluation board has RCA type connectors wired in parallel with BNC connectors which give access to the signal pins (L1, R1, L2, R2) of the IC.

You can connect an audio source/generator or speaker/amplifier load at these connectors. For example, [Figure 1](#) shows two stereo sources connected at the signal pins (audio source 1 connected at L1 and R1; audio source 2 connected at L2 and R2). A stereo speaker set is connected at the COM pins (L and R). In this application the ISL54405 is used to multiplex two stereo audio sources to a single stereo speaker load.

Applications

The ISL54405 was designed primarily for consumer and professional audio switching applications such as computer sound cards and home theater products. In a typical sound card application the ISL54405 is used for the following applications:

- To route a single stereo source to either the front or back line outs of the computer sound card.
- To multiplex two stereo sources to a single line out of the computer sound card.

Test Points

The board has various test points for ease of connecting probes to make measurements. The test points available are described in [Table 1](#).

TABLE 1.

DESIGNATOR	DESCRIPTION
TP1	VDD test point
TP2	Ground test point
TP3	5V_SUPPLY test point
TP4	L test point
TP5	R test point
TP6	SEL logic input test point
TP7	MUTE logic input test point
TP8	L1 test point
TP9	L2 test point
TP10	R1 test point
TP11	R2 test point
TP12	DIR_SEL logic input test point
TP13	AC/DC logic input test point

Board Component Definitions

DESIGNATOR	DESCRIPTION
U1	ISL54405 uTQFN IC
J1	VDD power supply connection (3.3V _{DC})
J2	Ground connection
J3	5V_SUPPLY power supply connection (5V _{DC})
J4	AC/DC logic input
J5	DIR_SEL logic input
J6, J7	L common side I/O
J8, J9	R common side I/O
J10	SEL logic input
J11	MUTE logic input
J12, J13	L1 signal side I/O
J14, J15	L2 signal side I/O
J16, J17	R1 signal side I/O
J18, J19	R2 signal side I/O
J20	External logic DC voltage for MUTE and SEL
J21	Load jumper for R1 (Position 1-2 for 20k Ω , Position 2-3 for 32 Ω)
J22	Load jumper for L2 (Position 1-2 for 20k Ω , Position 2-3 for 32 Ω)
J23	Load jumper for L1 (Position 1-2 for 20k Ω , Position 2-3 for 32 Ω)
J27	Load jumper for L COM (Position 1-2 for 20k Ω , Position 2-3 for 32 Ω)
J28	Load jumper for R COM (Position 1-2 for 20k Ω , Position 2-3 for 32 Ω)
J29	Load jumper for R2 (Position 1-2 for 20k Ω , Position 2-3 for 32 Ω)
J24	S1 and S2 voltage jumper, (Position 1-2 voltage at J20, Position 2-3 connect to VDD)
J25	SEL jumper (install jumper to use S1 switch)
J26	MUTE jumper (install jumper to use S2 switch)
S1	SEL switch
S2	MUTE switch

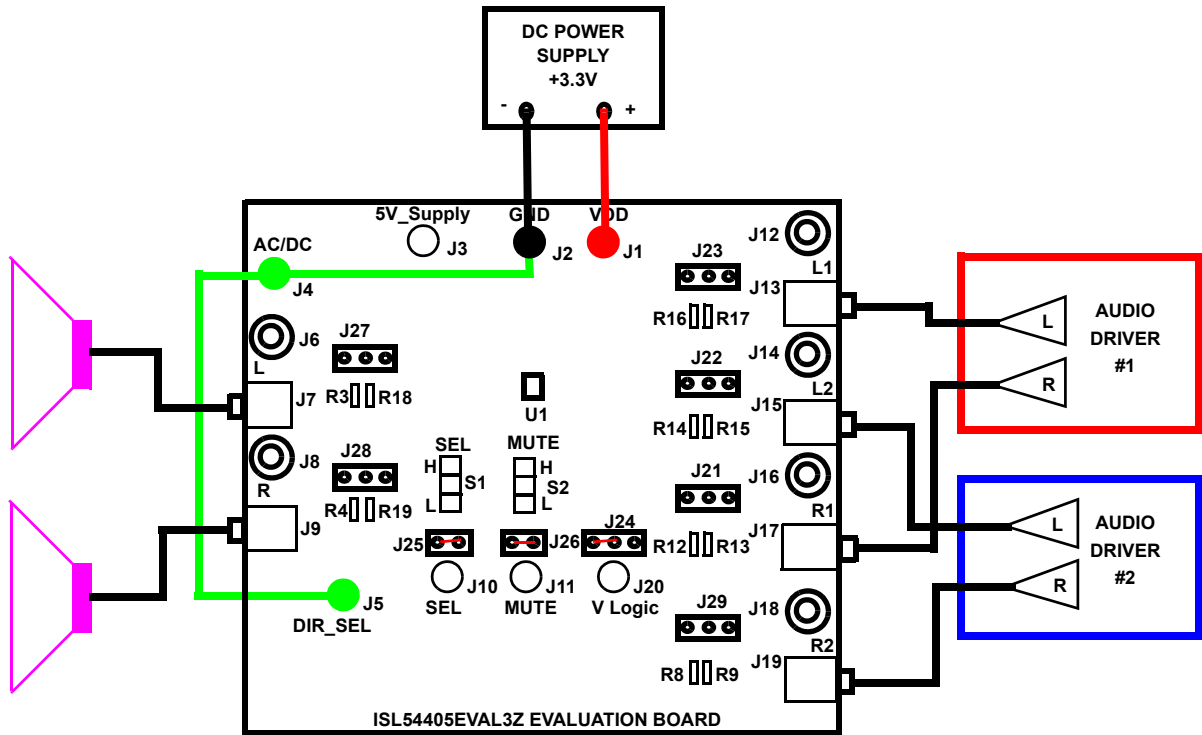


FIGURE 2. BASIC EVALUATION TEST SETUP BLOCK DIAGRAM (Multiplexing Two Stereo Sources to One Speaker)

Using the Board to Multiplex Between Two Audio Sources

Refer to [Figure 2](#).

Lab Equipment

The equipment, external supplies and signal sources needed to operate the board are:

1. 3.3V DC power supply.
2. Two stereo audio sources or audio signal generators.
3. Set of stereo speakers or use on board resistor loads.

Initial Board Setup Procedure

1. Attach the main evaluation board to the DC power supply at J1 (V_{DD}) and J2 (GND). Positive terminal at J1 and negative terminal at J2. The supply should be capable of delivering 3.0V to 5V and 1mA of current. Set the supply voltage to 3.3V.
2. Configure the board to use the S1 (SEL) and S2 (MUTE) toggle switches by installing jumpers at J25, J26 and J24 at location 2-3. In this configuration, when a toggle switch is in L position, the logic pin will be driven to ground. When its in the H position, the logic pin will be driven to the VDD voltage of 3.3V.
3. Disable all ancillary 40Ω shunt resistors by connecting J4 (AC/DC) and J5 (DIR_SEL) to J2 (GND).
4. Put the S2 (MUTE) toggle switch in the “H” position. This will put the IC into the mute state.
5. Put the S1 (SEL) toggle switch in the “L” position.
6. Connect the audio source 1 left channel to the J13 (L1) RCA connector or the J12 (L1) BNC connector and the right

channel to the J17 (R1) RCA connector or J16 (R1) BNC connector.

7. Connect the audio source 2 left channel to the J15 (L2) RCA connector or the J14 (L2) BNC connector and the right channel to the J19 (R2) RCA connector or J18 (R2) BNC connector.
8. Connect one speaker to the J7 (L) RCA connector or the J6 (L) BNC connector and the other speaker to the J9 (R) RCA connector or J8 (R) BNC connector.

Audio Mute and Playback Operation

1. Verify that the toggle switch S2 (MUTE) is in the “H” position. All switches will be off.
2. Turn audio driver #1 on.
3. Turn audio driver #2 on.
4. Put the S1 (SEL) toggle switch in the “L” position.
5. Take the S2 (MUTE) toggle switch to the “L” position.
6. The audio signal from driver #1 should be heard in the speakers.
7. Take the S2 (MUTE) toggle switch to the “H” position. Audio sources will be muted.
8. Put the S1 (SEL) toggle switch in the “H” position.
9. Take the S2 (MUTE) toggle switch to the “L” position.
10. The audio signal from driver #2 should be heard in the speakers.
11. Toggle the S1 (SEL) switch to the “L” position to play source #1. Toggle it back to the “H” position to play source #2.

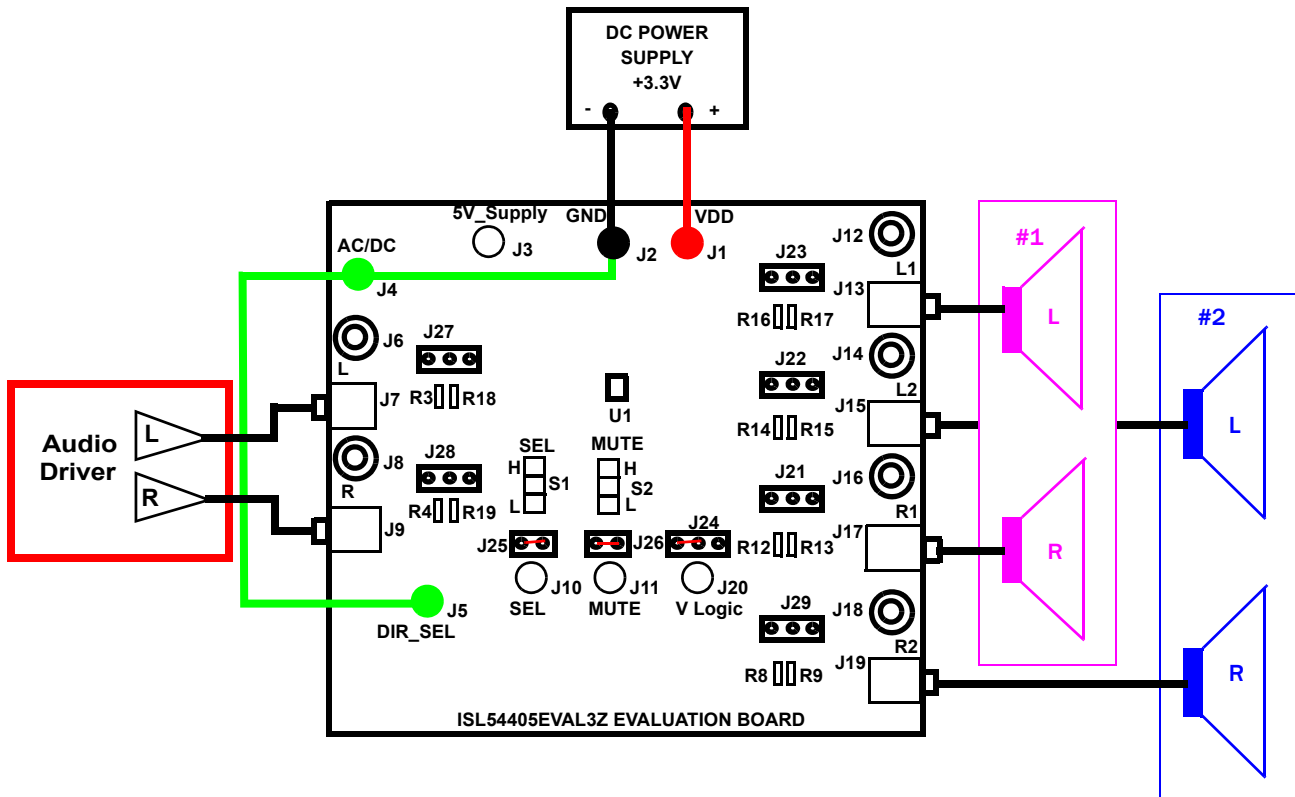


FIGURE 3. BASIC EVALUATION TEST SETUP BLOCK DIAGRAM (Multiplex One Stereo Source to Two Stereo Speakers)

Using the Board to Multiplex Between Two Stereo Speakers

Refer to [Figure 3](#).

Lab Equipment

The equipment, external supplies and signal sources needed to operate the board are listed below:

1. 3.3V DC power supply.
2. Stereo Audio source or audio signal generator.
3. Two sets of stereo speakers or use on board resistor loads.

Initial Board Setup Procedure

1. Attach the main evaluation board to the DC power supply at J1 (V_{DD}) and J2 (GND). Positive terminal at J1 and negative terminal at J2. The supply should be capable of delivering 3.0V to 5V and 1mA of current. Set the supply voltage to 3.3V.
2. Configure the board to use the S1 (SEL) and S2 (MUTE) toggle switches by installing jumpers at J25, J26 and J24 at location 2-3. In this configuration, when a toggle switch is in L position, the logic pin will be driven to ground. When its in the H position, the logic pin will be driven to the VDD voltage of 3.3V.
3. Disable all ancillary 40Ω shunt resistors by connecting J4 (AC/DC) and J5 (DIR_SEL) to J2 (GND).
4. Put the S2 (MUTE) toggle switch in the “H” position. This will put the IC in to the mute state.
5. Put the S1 (SEL) toggle switch in the “L” position.

6. Connect the audio source left channel to the J7 (L) RCA connector or the J6 (L) BNC connector and the right channel to the J9 (R) RCA connector or J8 (R) BNC connector.
7. Connect one stereo speaker to the J13 (L1) RCA connector or the J12 (L1) BNC connector and the right channel to the J17 (R1) RCA connector or J16 (R1) BNC connector.
8. Connect the other stereo speaker to the J15 (L2) RCA connector or the J14 (L2) BNC connector and the other speaker to the J19 (R2) RCA connector or J18 (R2) BNC connector.

Audio Mute and Playback Operation

1. Verify that the toggle switch S2 (MUTE) is in the “H” position. All switches will be off.
2. Turn the audio driver on.
3. Put the S1 (SEL) toggle switch in the “L” position.
4. Take the S2 (MUTE) toggle switch to the “L” position.
5. The audio signal from driver should be heard in the speaker connected at L1 and R1.
6. Take the S2 (MUTE) toggle switch to the “H” position. Audio source will be muted.
7. Put the S1 (SEL) toggle switch in the “H” position.
8. Take the S2 (MUTE) toggle switch to the “L” position.
9. The audio signal from driver should be heard in the speaker connected at L2 and R2.
10. Toggle the S1 (SEL) switch to route the audio signal between the two stereo speakers.

ISL54405EVAL3Z Evaluation Board

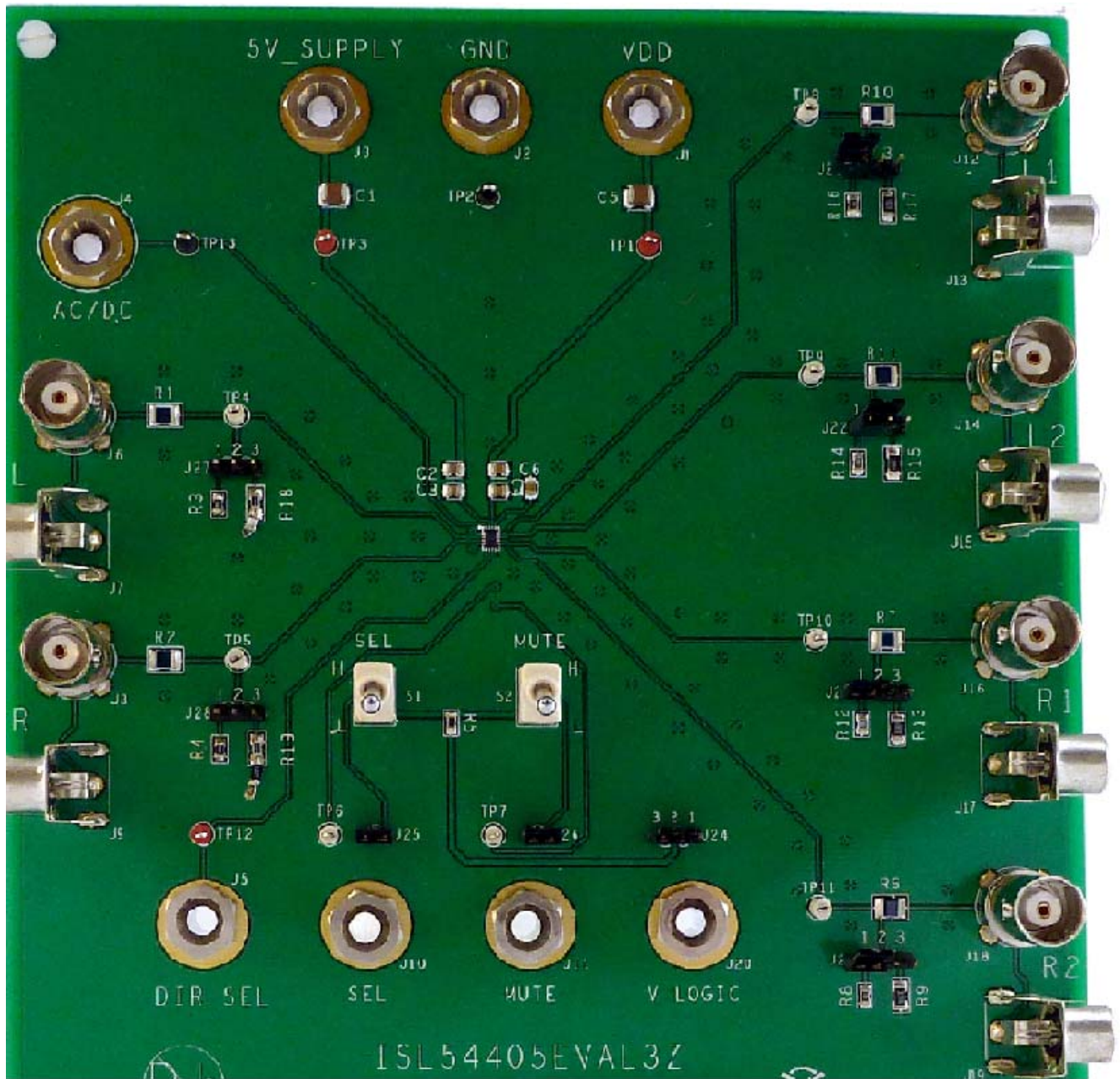
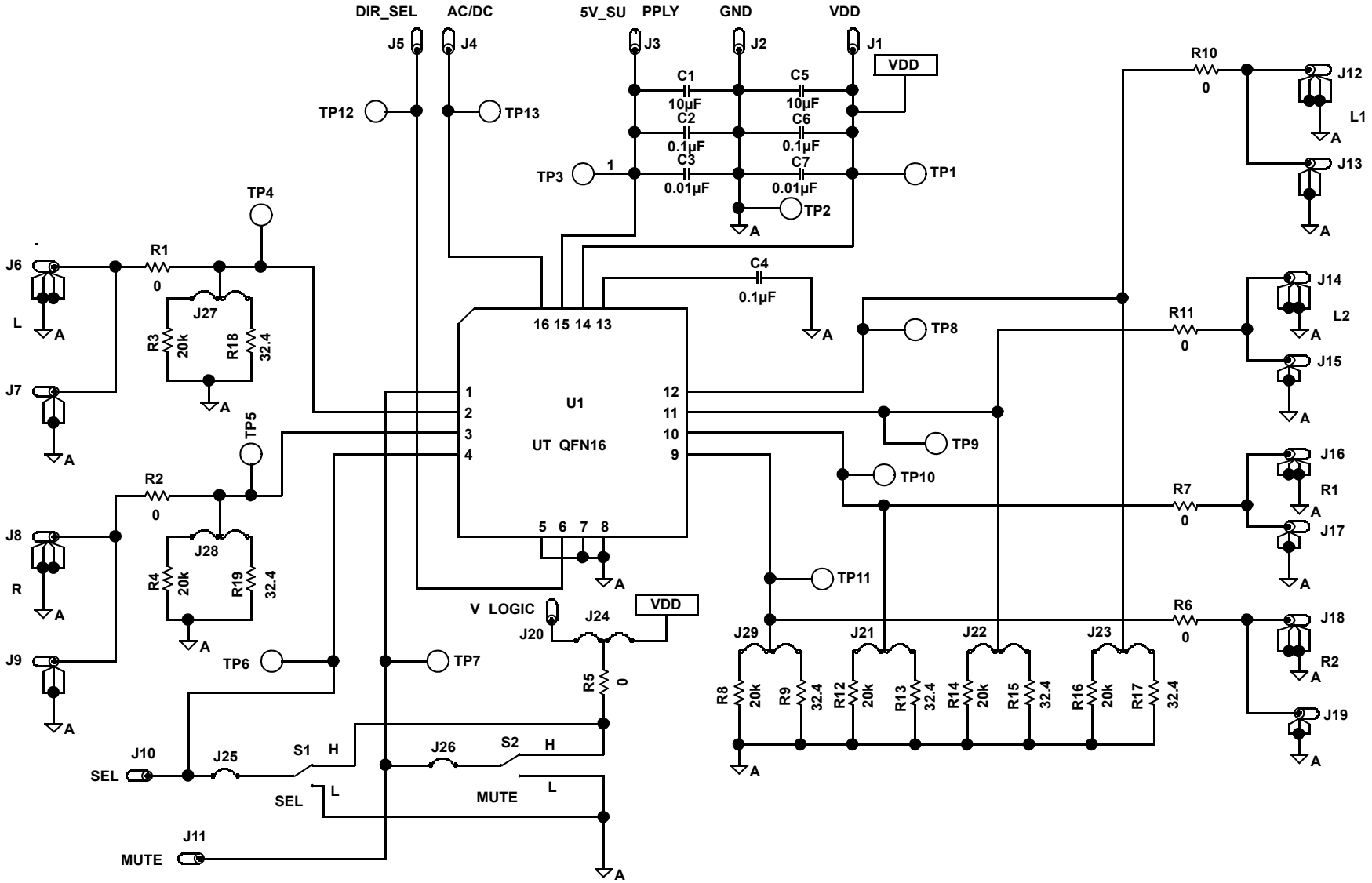


FIGURE 4. TOP SIDE

ISL54405EVAL3Z Circuit Schematic



ISL54405EVAL3Z Bill of Materials (Revision A)

QTY	UNITS	REFERENCE DESIGNATOR	DESCRIPTION	MFR	MANUFACTURER'S PART NUMBER
1	ea		PWB-PCB, ISL54405EVAL3Z, Rev A, uTQFN, ROHS	IMAGINEERING INC	ISL54405EVAL3ZREVAPCB
2	ea	C3, C7	CAP, SMD, 0805, 0.01 μ F, 50V, 10%, X7R, ROHS	KEMET	C0805C103K5RACTU
3	ea	C2, C4, C6	CAP, SMD, 0805, 0.1 μ F, 50V, 10%, X7R, ROHS	KEMET	C0805C104K5RACTU
2	ea	C1, C5	CAP, SMD, 1210, 10 μ F, 25V, 10%, X7R, ROHS	AVX	12103C106KAT2A
8	ea	J1-J5, J10, J11, J20	CONN - JACK, BANANA - SS - SDRLESS, VERTICAL, ROHS	JOHNSON COMPONENTS	108-0740-001
6	ea	J6, J8, J12, J14, J16, J18	CONN - BNC, RECEPTACLE, TH, 4 POST, 50 Ω , GOLDCONTACT, ROHS	AMPHENOL	31-5329-52RFX
3	ea	TP1, TP3, TP12	CONN-MINI TEST PT, VERTICAL, RED, ROHS	KEYSTONE	5000
2	ea	TP2, TP13	CONN-MINI TEST PT, VERTICAL, BLK, ROHS	KEYSTONE	5001
8	ea	TP4-TP11	CONN-MINI TEST PT, VERTICAL, WHITE, ROHS	KEYSTONE	5002
7	ea	J21-J24, J27-J29	CONN-HEADER, 1X3, BREAKAWY 1X36, 2.54mm, ROHS	BERG/FCI	68000-236HFL
2	ea	J25, J26	CONN-HEADER, 1X2, RETENTIVE, 2.54mm, 0.230X0.120, ROHS	BERG/FCI	69190-202HLF
6	ea	J7, J9, J13, J15, J17, J19	CONN-RCA PHONO JACK, WHITE, 3.6mm, R/A, ROHS, PCB MNT	CUI, INC	RCJ-013
1	ea	U1	ic-DUAL, SPDT ANALOG SWITCH, 16P, uTQFN, 2.6X1.8, ROHS	INTERSIL	ISL54405IRUZ
1	ea	R5	RES, SMD, 0805, 0 Ω , 1/8W, TF, ROHS	YAGEO	RC0805JR-070RL
6	ea	R3, R4, R8, R12, R14, R16	RES, SMD, 0805, 20k, 1/8W, 1%, TF, ROHS	VENKEL	CR0805-8W-2002FT
6	ea	R9, R13, R15, R17-R19	RES, SMD, 1206, 32.4 Ω , 1/4W, 1%, TF, ROHS	YAGEO	RC1206FR-0732R4L
6	ea	R1, R2, R6, R7, R10, R11	RES, SMD, 1210, 0 Ω , 1/4W, TF, ROHS	VENKEL	CR1210-4W-000
4	ea	Four Corners	SCREW, 4-40X1/4in, PAN, SS, PHILLIPS		
4	ea	Four Corners	STANDOFF, 4-40X3/4in, F/F, HEX, ALUMINUM, ROHS	KEYSTONE	2204 (.250 OD)
1	ea	Place assy in bag	BAG, STATIC, 1 0X12, ZIP LOC	INTERSIL	212403-015
2	ea	S1, S2	SWITCH-MINI TOGGLE, TH, SPDT, 0.4VA, ON-OFF-ON, ROHS, GOLD	C&K COMPONENTS	ET03SD1CBE
1	ea	AFFIX TO BACK OF PCB	LABEL-DATE CODE_LINE 1: YRWK/REV#, LINE 2: BOM NAME	INTERSIL	LABEL-DATE CODE

Board Silk Screen

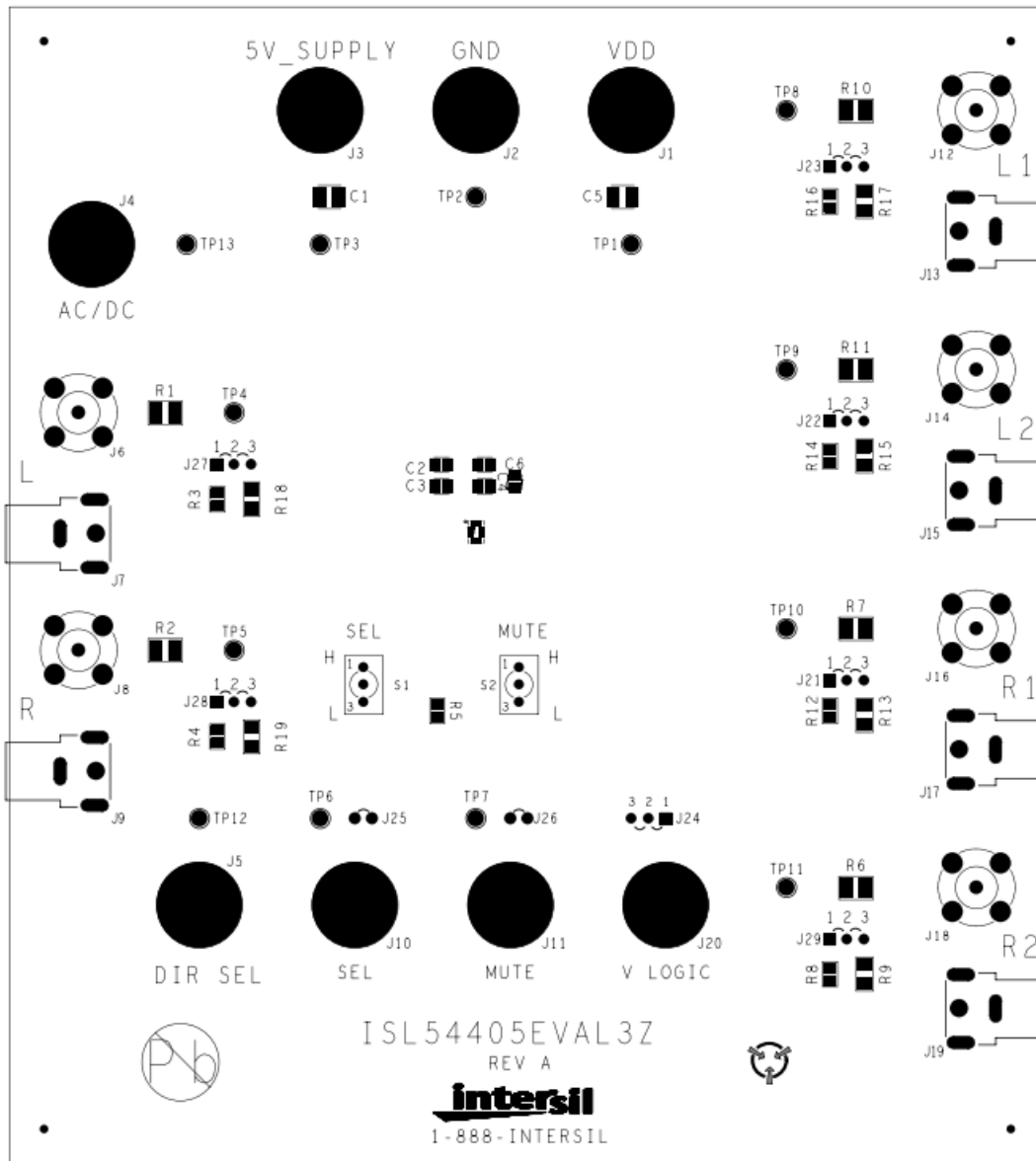


FIGURE 5. TOP LAYER SILK SCREEN

Typical Performance Curves

Unless noted: $V_{IN} = 12V$, $V_{OUT} = 3.3V$, $f_{SW} = 400kHz$, $T_A = +25^\circ C$

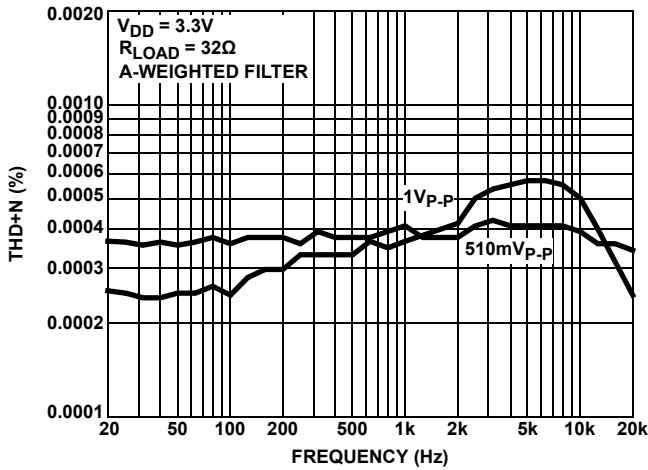


FIGURE 6. THD+N vs SIGNAL LEVELS vs FREQUENCY

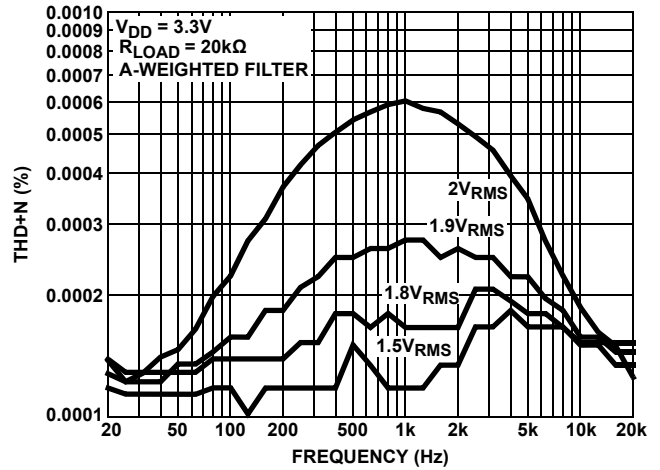


FIGURE 7. THD+N vs SIGNAL LEVELS vs FREQUENCY

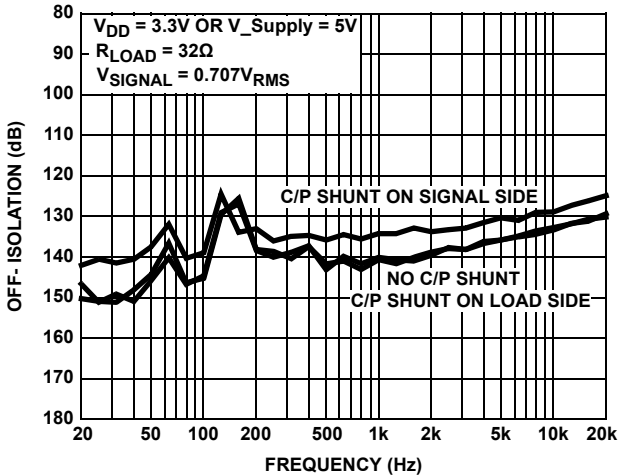


FIGURE 8. OFF-ISOLATION, 0.707VRMS SIGNAL, 32Ω LOAD

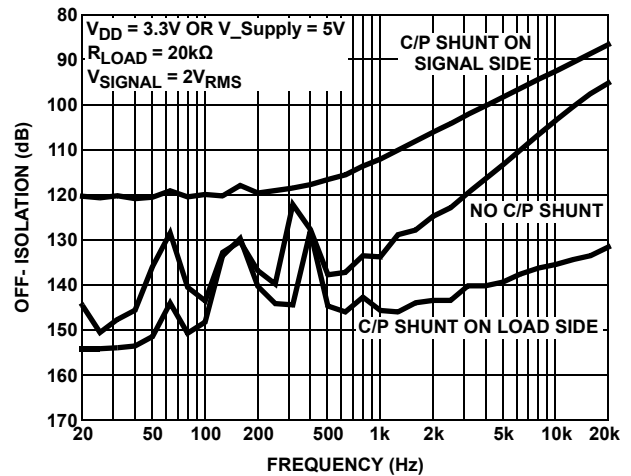


FIGURE 9. OFF-ISOLATION, 2VRMS SIGNAL, 20kΩ LOAD

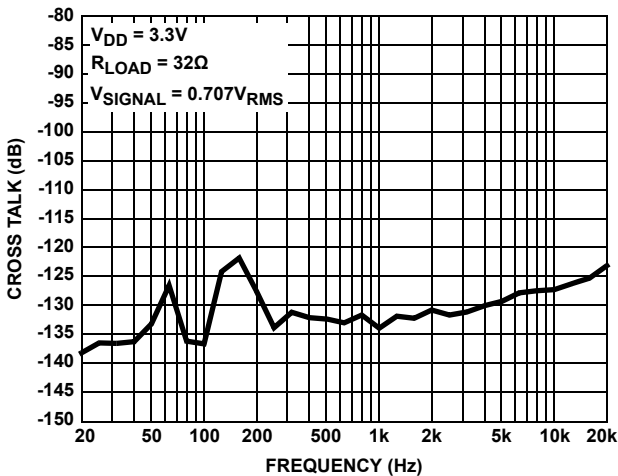


FIGURE 10. CHANNEL-TO-CHANNEL CROSSTALK

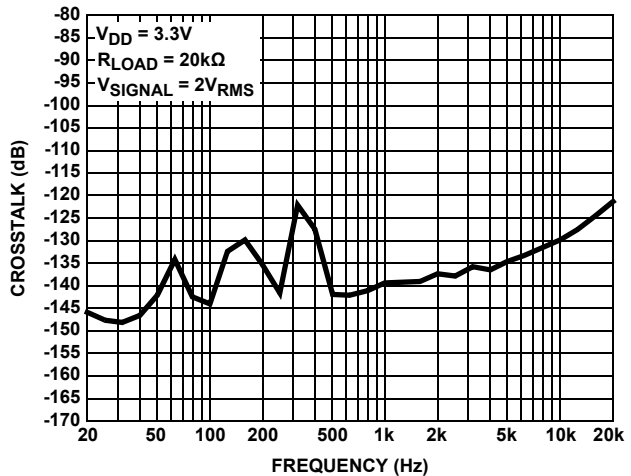


FIGURE 11. CHANNEL-TO-CHANNEL CROSSTALK

Typical Performance Curves

Unless noted: $V_{IN} = 12V$, $V_{OUT} = 3.3V$, $f_{SW} = 400kHz$, $T_A = +25^\circ C$ (Continued)

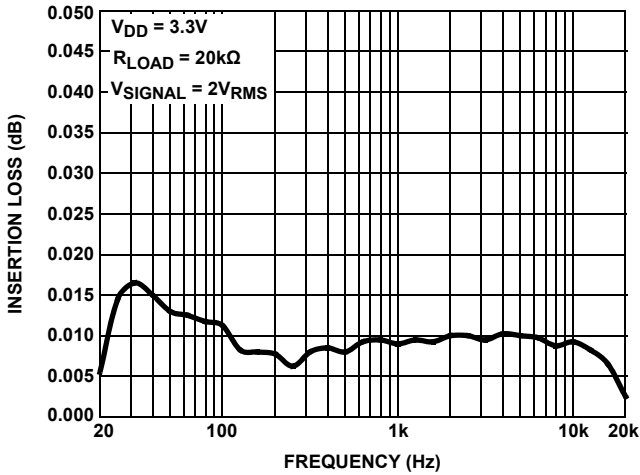


FIGURE 12. INSERTION LOSS vs FREQUENCY

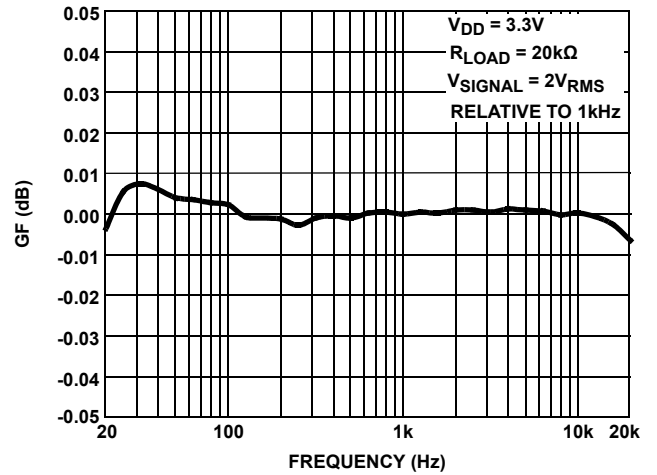


FIGURE 13. GAIN vs FREQUENCY

Notice

1. Descriptions of circuits, software and other related information in this document are provided only to illustrate the operation of semiconductor products and application examples. You are fully responsible for the incorporation or any other use of the circuits, software, and information in the design of your product or system. Renesas Electronics disclaims any and all liability for any losses and damages incurred by you or third parties arising from the use of these circuits, software, or information.
2. Renesas Electronics hereby expressly disclaims any warranties against and liability for infringement or any other claims involving patents, copyrights, or other intellectual property rights of third parties, by or arising from the use of Renesas Electronics products or technical information described in this document, including but not limited to, the product data, drawings, charts, programs, algorithms, and application examples.
3. No license, express, implied or otherwise, is granted hereby under any patents, copyrights or other intellectual property rights of Renesas Electronics or others.
4. You shall not alter, modify, copy, or reverse engineer any Renesas Electronics product, whether in whole or in part. Renesas Electronics disclaims any and all liability for any losses or damages incurred by you or third parties arising from such alteration, modification, copying or reverse engineering.
5. Renesas Electronics products are classified according to the following two quality grades: "Standard" and "High Quality". The intended applications for each Renesas Electronics product depends on the product's quality grade, as indicated below.
"Standard": Computers; office equipment; communications equipment; test and measurement equipment; audio and visual equipment; home electronic appliances; machine tools; personal electronic equipment; industrial robots; etc.
"High Quality": Transportation equipment (automobiles, trains, ships, etc.); traffic control (traffic lights); large-scale communication equipment; key financial terminal systems; safety control equipment; etc.
Unless expressly designated as a high reliability product or a product for harsh environments in a Renesas Electronics data sheet or other Renesas Electronics document, Renesas Electronics products are not intended or authorized for use in products or systems that may pose a direct threat to human life or bodily injury (artificial life support devices or systems; surgical implantations; etc.), or may cause serious property damage (space system; undersea repeaters; nuclear power control systems; aircraft control systems; key plant systems; military equipment; etc.). Renesas Electronics disclaims any and all liability for any damages or losses incurred by you or any third parties arising from the use of any Renesas Electronics product that is inconsistent with any Renesas Electronics data sheet, user's manual or other Renesas Electronics document.
6. When using Renesas Electronics products, refer to the latest product information (data sheets, user's manuals, application notes, "General Notes for Handling and Using Semiconductor Devices" in the reliability handbook, etc.), and ensure that usage conditions are within the ranges specified by Renesas Electronics with respect to maximum ratings, operating power supply voltage range, heat dissipation characteristics, installation, etc. Renesas Electronics disclaims any and all liability for any malfunctions, failure or accident arising out of the use of Renesas Electronics products outside of such specified ranges.
7. Although Renesas Electronics endeavors to improve the quality and reliability of Renesas Electronics products, semiconductor products have specific characteristics, such as the occurrence of failure at a certain rate and malfunctions under certain use conditions. Unless designated as a high reliability product or a product for harsh environments in a Renesas Electronics data sheet or other Renesas Electronics document, Renesas Electronics products are not subject to radiation resistance design. You are responsible for implementing safety measures to guard against the possibility of bodily injury, injury or damage caused by fire, and/or danger to the public in the event of a failure or malfunction of Renesas Electronics products, such as safety design for hardware and software, including but not limited to redundancy, fire control and malfunction prevention, appropriate treatment for aging degradation or any other appropriate measures. Because the evaluation of microcomputer software alone is very difficult and impractical, you are responsible for evaluating the safety of the final products or systems manufactured by you.
8. Please contact a Renesas Electronics sales office for details as to environmental matters such as the environmental compatibility of each Renesas Electronics product. You are responsible for carefully and sufficiently investigating applicable laws and regulations that regulate the inclusion or use of controlled substances, including without limitation, the EU RoHS Directive, and using Renesas Electronics products in compliance with all these applicable laws and regulations. Renesas Electronics disclaims any and all liability for damages or losses occurring as a result of your noncompliance with applicable laws and regulations.
9. Renesas Electronics products and technologies shall not be used for or incorporated into any products or systems whose manufacture, use, or sale is prohibited under any applicable domestic or foreign laws or regulations. You shall comply with any applicable export control laws and regulations promulgated and administered by the governments of any countries asserting jurisdiction over the parties or transactions.
10. It is the responsibility of the buyer or distributor of Renesas Electronics products, or any other party who distributes, disposes of, or otherwise sells or transfers the product to a third party, to notify such third party in advance of the contents and conditions set forth in this document.
11. This document shall not be reprinted, reproduced or duplicated in any form, in whole or in part, without prior written consent of Renesas Electronics.
12. Please contact a Renesas Electronics sales office if you have any questions regarding the information contained in this document or Renesas Electronics products.
(Note 1) "Renesas Electronics" as used in this document means Renesas Electronics Corporation and also includes its directly or indirectly controlled subsidiaries.
(Note 2) "Renesas Electronics product(s)" means any product developed or manufactured by or for Renesas Electronics.

(Rev.4.0-1 November 2017)



SALES OFFICES

Renesas Electronics Corporation

<http://www.renesas.com>

Refer to "<http://www.renesas.com/>" for the latest and detailed information.

Renesas Electronics America Inc.
1001 Murphy Ranch Road, Milpitas, CA 95035, U.S.A.
Tel: +1-408-432-8888, Fax: +1-408-434-5351

Renesas Electronics Canada Limited
9251 Yonge Street, Suite 8309 Richmond Hill, Ontario Canada L4C 9T3
Tel: +1-905-237-2004

Renesas Electronics Europe Limited
Dukes Meadow, Millboard Road, Bourne End, Buckinghamshire, SL8 5FH, U.K
Tel: +44-1628-651-700, Fax: +44-1628-651-804

Renesas Electronics Europe GmbH
Arcadiastrasse 10, 40472 Düsseldorf, Germany
Tel: +49-211-6503-0, Fax: +49-211-6503-1327

Renesas Electronics (China) Co., Ltd.
Room 1709 Quantum Plaza, No.27 ZhichunLu, Haidian District, Beijing, 100191 P. R. China
Tel: +86-10-8235-1155, Fax: +86-10-8235-7679

Renesas Electronics (Shanghai) Co., Ltd.
Unit 301, Tower A, Central Towers, 555 Langao Road, Putuo District, Shanghai, 200333 P. R. China
Tel: +86-21-2226-0888, Fax: +86-21-2226-0999

Renesas Electronics Hong Kong Limited
Unit 1601-1611, 16/F., Tower 2, Grand Century Place, 193 Prince Edward Road West, Mongkok, Kowloon, Hong Kong
Tel: +852-2265-6688, Fax: +852-2886-9022

Renesas Electronics Taiwan Co., Ltd.
13F, No. 363, Fu Shing North Road, Taipei 10543, Taiwan
Tel: +886-2-8175-9600, Fax: +886-2-8175-9670

Renesas Electronics Singapore Pte. Ltd.
80 Bendemeer Road, Unit #06-02 Hyflux Innovation Centre, Singapore 339949
Tel: +65-6213-0200, Fax: +65-6213-0300

Renesas Electronics Malaysia Sdn.Bhd.
Unit 1207, Block B, Menara Amcorp, Amcorp Trade Centre, No. 18, Jln Persiaran Barat, 46050 Petaling Jaya, Selangor Darul Ehsan, Malaysia
Tel: +60-3-7955-9390, Fax: +60-3-7955-9510

Renesas Electronics India Pvt. Ltd.
No.777C, 100 Feet Road, HAL 2nd Stage, Indiranagar, Bangalore 560 038, India
Tel: +91-80-67208700, Fax: +91-80-67208777

Renesas Electronics Korea Co., Ltd.
17F, KAMCO Yangjae Tower, 262, Gangnam-daero, Gangnam-gu, Seoul, 06265 Korea
Tel: +82-2-558-3737, Fax: +82-2-558-5338